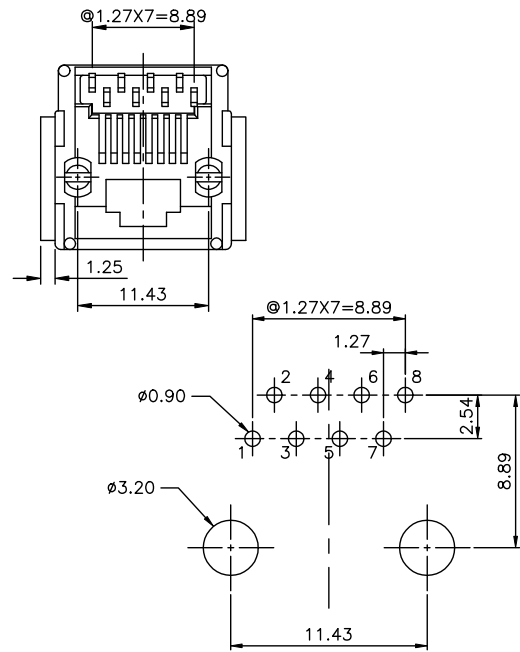
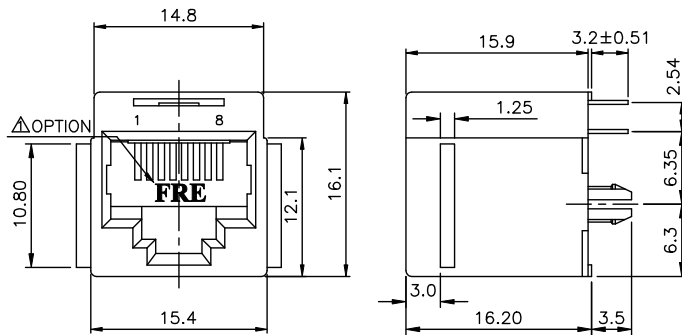


A1RFRD10

REVISION RECORD				
REV	ECO	DESCRIPTION	DRFT	CHKD
△		ADD PART NUMBER OPTION	Shihai 8/15/01*	
△		NOTES MODIFY	Amory 11/01/04	



PC Board Layout Component Side Shown

NOTES:

ELECTRICAL:

1. VOLTAGE RATING : 125 VAC RMS.
2. CURRENT RATING : 1.5 AMP.
3. CONTACT RESISTANCE : 30 MILLIOHMS MAX.
4. INSULATION RESISTANCE: 1000 MEGOHMS MIN @ 500 VDC.
5. DIELECTRIC STRENGTH : 1000 VAC RMS 60Hz, 1MIN.

MECHANICAL:

1. HOUSING MATERIAL : GLASS FILLED POLYESTER UL94V-0.
2. CONTACT MATERIAL : PHOSPHOR BRONZE t=0.35mm.
- △ 3. PLATING : GOLD PLATING OVER NICKEL.
4. OPERATING LIFE : 750 CYCLES MIN.
5. PCB RETENTION PRE-SOLDER : 1 LB MIN.
6. PCB RETENTION POST-SOLDER: 10 LBS MIN.

ENVIRONMENTAL:

1. STORAGE : -40°C TO +85°C.
 - △ 2. OPERATION: -40°C TO +85°C.
- MATES WITH MODULAR PLUG CONFORMING TO
FCC PART 68, SUBPART F.

CUL FILE NO. E163191

PART NUMBER: E5288-X0003X

- | | | |
|-----------------|---------|---------|
| △ 3-W/ FRE LOGO | 1- 3u" | 2- 6u" |
| R-W/O FRE LOGO | 3- 15u" | 4- 30u" |
| | 5- 50u" | |

MM (INCH)		DFTO JACK	DATE 12/4/99*	FULL RISE ELECTRONIC CO., LTD	
TOLERANCES EXCEPT AS NOTED		CHKD SAMMY	DATE 2004/11/17	TITLE	
MM	±	WFO	DATE	RJ45 TOP ENTRY PCB MODULAR JACK(DIP TYPE)	
.0 ± 0.2	±	APPVLLUSDND	DATE 2004/11/17	DRAWING NO. GE523A20	
.00 ± 0.15	±	MATERIAL :		SIZE REV	
.000 ± 0.075	±	QT'Y :		A3 11/01/04	
ANGLES ± 0.5		FINISH :		2	
THIRD ANGLE PROJECTION		SCALE :		DO NOT SCALE DRAWING	
				SHEET X OF Y	

8 | 7 | 6 | 5 | 4 | 3 | 2 | 1

H
G
F
E
D
C
B
A