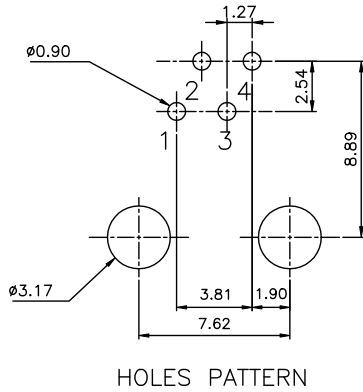
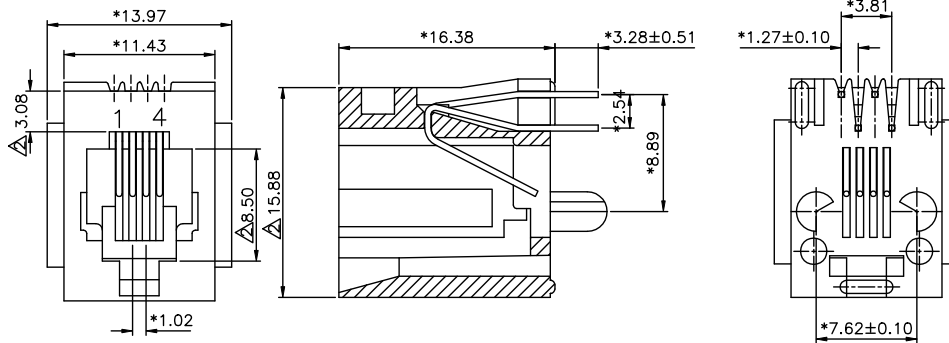


D1RFRD006

REVISION RECORD				
REV	ECO	DESCRIPTION	DRFT	CHKD
△		MODIFY DRAWING	06/10/99	
△		ADD DIM	03/16/03	
△		ADD P/N	10/12/04	
△		DEL P/N	03/08/05	
△			05/18/05	



NOTE :

1. MATERIAL: HOUSING-PBT POLYESTER UL94V-0  
STANDARD COLOR-BLACK  
CONTACT-0.46mm DIAMETER  
PHOS-BRONZE PLATED WITH  
HARD GOLD.
2. CAVITY CONFIRMS TO FCC RULES AND  
REGISTRATION PAR68, SUBPARTS F.
3. UL FILE NO. E189514

△△ 4. PART NUMBER: E524X-0000XX △

NO.OF CONTACT	1- 3u"	2- 6u"
2-2C	3-15u"	4-30u"
4-4C	5-50u"	6-Pd 20u"
	1-W/PANEL STOP	
	2-W/O PANEL STOP	

MM (INCH)	DFTO STZ	DATE 06/10/99	FULL RISE ELECTRONIC CO., LTD
TOLERANCES EXCEPT AS NOTED	CHGD FROM	DATE 2005/04/18	
MM	MFO	DATE	TITLE
.0 ±0.20	APPV/LUS/MSK	DATE 2005/04/18	180° TOP ENTRY PCB JACK 4P
.00 ±0.15	MATERIAL :		DRAWING NO. G523023
.000 ±0.075	FINISH :		/PART NO. SEE NOTE
ANGLES ±	QTY :		SIZE A3
THIRD ANGLE PROJECTION	SCALE :		REV 4
			DO NOT SCALE DRAWING
			SHEET X OF Y

8 | 7 | 6 | 5 | 4 | 3 | 2 | 1