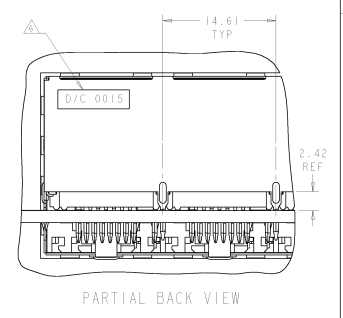
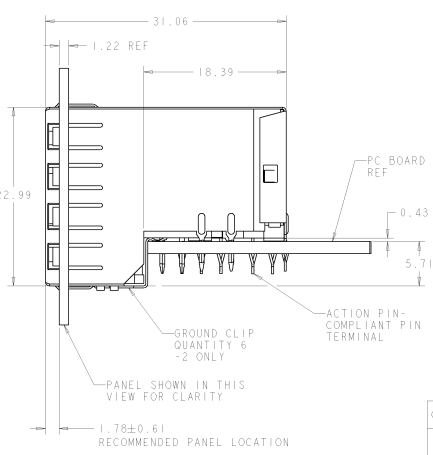
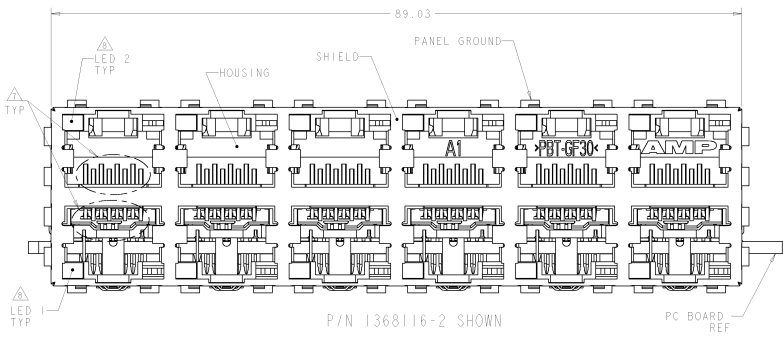


8	7	6	5	4	3	2	1
DATE MARKED TO SUBMITTER	REVISIONS FOR SUBMITTER						
DATE CONFIRMED	BY TOOL ELECTRONICS COMPANY: PLYMOUTH MICHIGAN						

REV	DATE	DESCRIPTION	BY	CHK	APP
AA	00				
F		ECO-06-027008			

- MATERIAL:
 - HOUSING: PBT POLYESTER, BLACK, UL 94V-0.
 - TERMINALS:
 - 0.33 THICK PHOSPHOR BRONZE PLATED WITH 1.27µm MINIMUM THICK HARD GOLD IN LOCALIZED AREA AND 3.81µm MINIMUM THICK TIN-LEAD IN ACTION PIN COMPLIANT PIN TERMINAL AREA OVER 1.27µm MINIMUM THICK NICKEL UNDERPLATE.
 - SHIELD: 0.25 THICK COPPER ALLOY PLATED WITH 2.03µm MIN BRIGHT TIN OVER 1.27µm MINIMUM NICKEL.
 - LIGHT EMITTING DIODE (LED):
 - DIFFUSED EPOXY LENS, 12.95 CARBON STL WIREFRAME LEADS PREPLATED WITH 8.89µm Sn/Cu OVER 2.03µm THICK Ag OVER 1.02µm THICK Cu OVER 3.56µm Ni OVER 1.02µm THICK Cu UNDERPLATE
 - LED ACTION PIN - COMPLIANT PIN CONTACTS 0.3 THICK BRASS PLATED WITH 2.4µm BRIGHT TIN.
- JACK CAVITY CONFORMS TO FCC RULES AND REGULATIONS, PART 68 SUBPART F.
- ALL DIMENSIONS ARE NOMINAL UNLESS OTHERWISE SPECIFIED.
 - ⚠ DRILLED HOLE DIA = 1.02±.025, COPPER THICKNESS = 0.025-0.075, TIN-LEAD THICKNESS = 0.008 MIN.
 - ⚠ DATUMS AND BASIC DIMENSIONS ESTABLISHED BY CUSTOMER.
 - ⚠ DATE CODE LOCATED ON REAR OF PART APPROXIMATELY AS SHOWN.
 - ⚠ CONTACTS ARE NOT INTENDED TO BE ALIGNED WITH EACH OTHER.
 - ⚠ SUGGESTED OPERATING CURRENT FOR LEDS IS 20 mA.



LED COLOR	DESCRIPTION	PART NUMBER
GREEN/YELLOW	LEFT HAND LED'S ONLY	1368116-3
GREEN	LEFT HAND LED'S WITH GROUND CLIPS	1368116-2
GREEN	LEFT HAND LED'S ONLY	1368116-1

MATERIAL: PBT POLYESTER, BLACK, UL 94V-0. HOUSING: PBT POLYESTER, BLACK, UL 94V-0. TERMINALS: 0.33 THICK PHOSPHOR BRONZE PLATED WITH 1.27µm MINIMUM THICK HARD GOLD IN LOCALIZED AREA AND 3.81µm MINIMUM THICK TIN-LEAD IN ACTION PIN COMPLIANT PIN TERMINAL AREA OVER 1.27µm MINIMUM THICK NICKEL UNDERPLATE. SHIELD: 0.25 THICK COPPER ALLOY PLATED WITH 2.03µm MIN BRIGHT TIN OVER 1.27µm MINIMUM NICKEL. LIGHT EMITTING DIODE (LED): DIFFUSED EPOXY LENS, 12.95 CARBON STL WIREFRAME LEADS PREPLATED WITH 8.89µm Sn/Cu OVER 2.03µm THICK Ag OVER 1.02µm THICK Cu OVER 3.56µm Ni OVER 1.02µm THICK Cu UNDERPLATE LED ACTION PIN - COMPLIANT PIN CONTACTS 0.3 THICK BRASS PLATED WITH 2.4µm BRIGHT TIN.		Typo Electronics 1000 W. STATE ST. SUITE 100 PHOENIX, AZ 85001 (602) 998-1888 WWW.TYPOTECH.COM
DATE: 06/02/08 DRAWN BY: J. J. JONES CHECKED BY: J. J. JONES APPROVED BY: J. J. JONES	PART NUMBER: 1368116-2 REV: 01 DATE: 06/02/08	OFFSET STACKED MOD JACK ASSEMBLY 2 X 5, 8 POSITION, RJ45, SHIELDED, PANEL GROUND, WITH LEFT LED, CAT 5

DATE MARKED TO SUBMITTER

REVISIONS FOR SUBMITTER

DATE CONFIRMED

BY TOOL ELECTRONICS COMPANY: PLYMOUTH MICHIGAN

DATE MARKED TO SUBMITTER

REVISIONS FOR SUBMITTER

DATE CONFIRMED

BY TOOL ELECTRONICS COMPANY: PLYMOUTH MICHIGAN

DATE MARKED TO SUBMITTER

REVISIONS FOR SUBMITTER

DATE CONFIRMED

BY TOOL ELECTRONICS COMPANY: PLYMOUTH MICHIGAN

DATE MARKED TO SUBMITTER

REVISIONS FOR SUBMITTER

DATE CONFIRMED

BY TOOL ELECTRONICS COMPANY: PLYMOUTH MICHIGAN

DATE MARKED TO SUBMITTER

REVISIONS FOR SUBMITTER

DATE CONFIRMED

BY TOOL ELECTRONICS COMPANY: PLYMOUTH MICHIGAN

DATE MARKED TO SUBMITTER

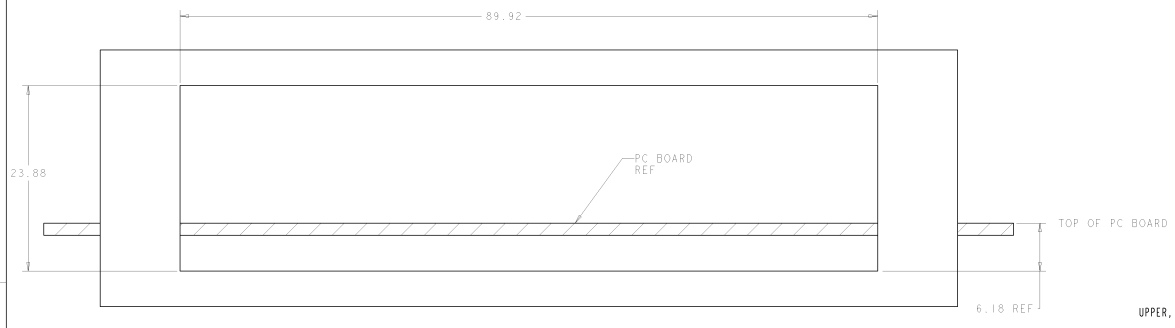
REVISIONS FOR SUBMITTER

DATE CONFIRMED

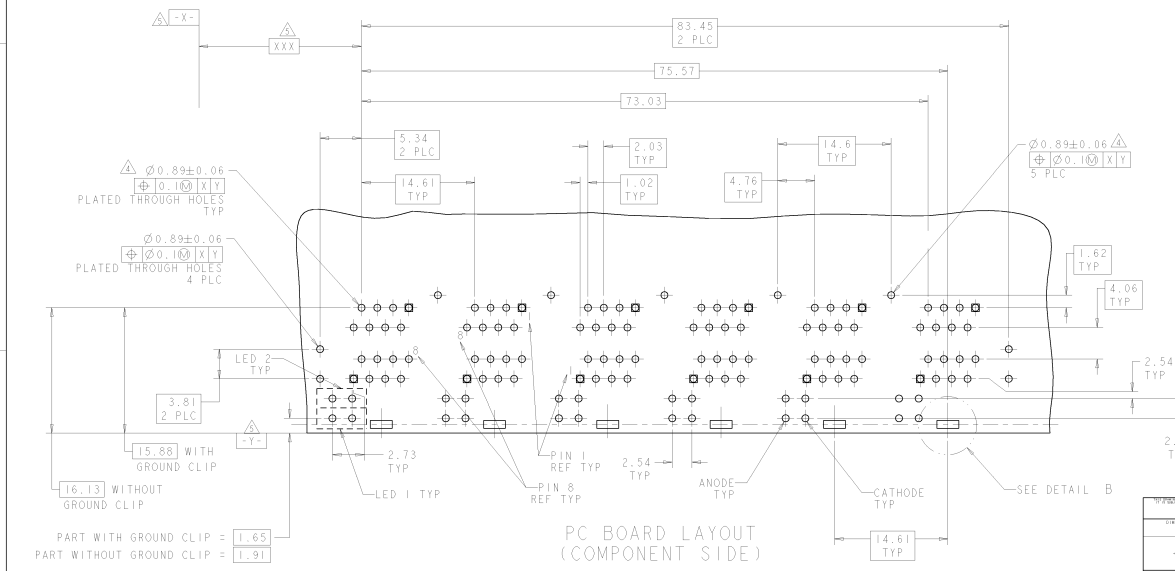
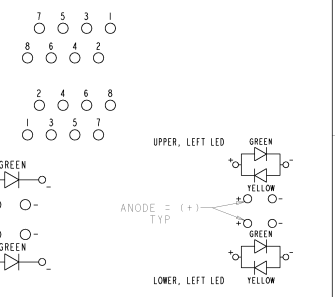
BY TOOL ELECTRONICS COMPANY: PLYMOUTH MICHIGAN

REV	DATE	DESCRIPTION
AA	22	SEE SHEET 1

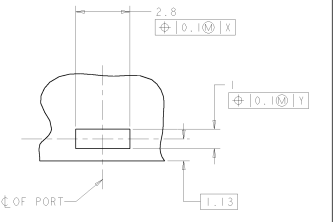
REV	DATE	DESCRIPTION	BY	CHK	APP
AA	22	SEE SHEET 1			



RECOMMENDED PANEL CUT-OUT



PC BOARD LAYOUT (COMPONENT SIDE)



PART WITH GROUND CLIP = 1.65

PART WITHOUT GROUND CLIP = 1.91

<p>1368116-1, -2</p> <p>1368116-3</p>	<p>1368116-1, -2</p> <p>1368116-3</p>	<p>1368116-1, -2</p> <p>1368116-3</p>	<p>1368116-1, -2</p> <p>1368116-3</p>	<p>1368116-1, -2</p> <p>1368116-3</p>
---------------------------------------	---------------------------------------	---------------------------------------	---------------------------------------	---------------------------------------