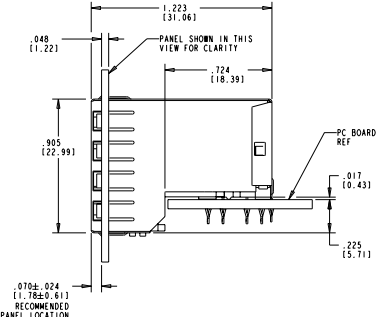
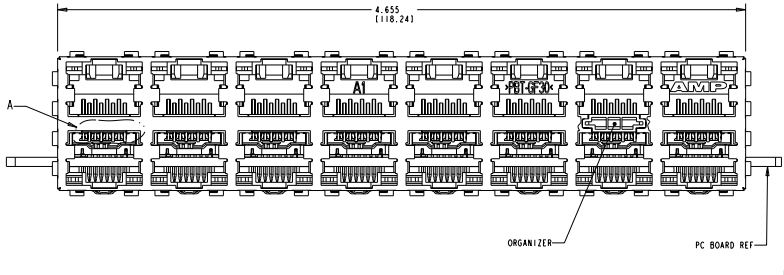
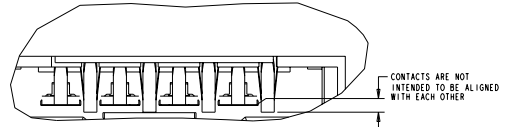
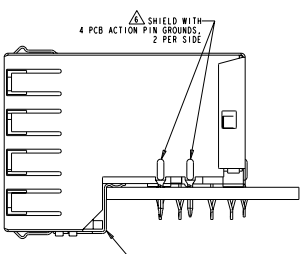
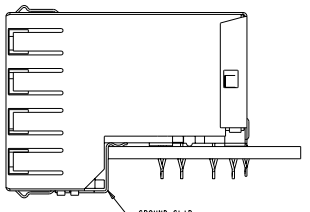
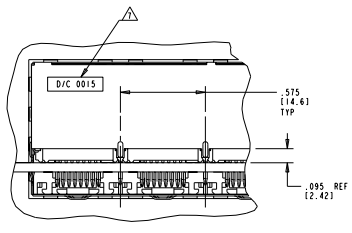
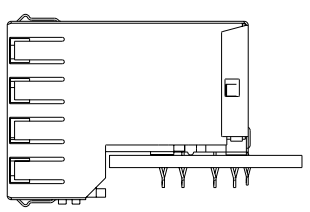


REV	DATE	DESCRIPTION	BY	CHK	APP
A	REVISED PER EC 0511-0201-04		21/08/05	LV	SF
A1	REVISED PER ECO-99-025689		12/08/99	KK	AEQ



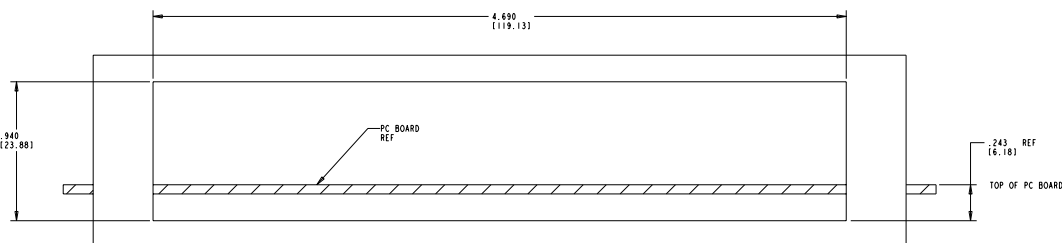
- △ HOUSING: PBT POLYESTER, BLACK, UL 94V-0.
- △ TERMINALS: 0.30 THICK PHOS. BRONZE PLATED WITH 1.27µm MINIMUM THICK HARD GOLD IN LOCALIZED AREA AND 2µm MINIMUM THICK MATTE TIN IN ACTION PIN COMPLIANT PIN TERMINAL AREA OVER 1.27µm MINIMUM THICK NICKEL UNDERPLATE.
- △ SHIELD: 0.25 THICK COPPER ALLOY PLATED WITH 2.03µm MINIMUM BRIGHT TIN OVER 1.27µm MINIMUM NICKEL.
- △ GROUND CLIPS: 0.25 THICK COPPER ALLOY PLATED WITH 2.03µm MINIMUM MATTE TIN OVER 1.27µm MINIMUM NICKEL.
- 2. JACK CAVITY CONFORMS TO FCC RULES AND REGULATIONS, PART 68 SUBPART F.
- 3. ALL DIMENSIONS ARE NOMINAL UNLESS OTHERWISE SPECIFIED.
- △ DRILLED HOLE DIA : .040±.001, COPPER THICKNESS : .001-.003, TIN THICKNESS : .0003 MIN.
- △ DATUMS AND BASIC DIMENSIONS ESTABLISHED BY CUSTOMER.
- △ THESE FOUR SIDE PCB ACTION PIN GROUNDS AND CORRESPONDING PCB HOLES ARE REQUIRED ONLY ON 6116689-3.
- △ DATE CODE LOCATED ON REAR OF PART APPROXIMATELY AS SHOWN.
- △ OBSOLETE PARTS: OBSOLETE CIS STREAMLINING PER D.RENAUD/D.SINISI



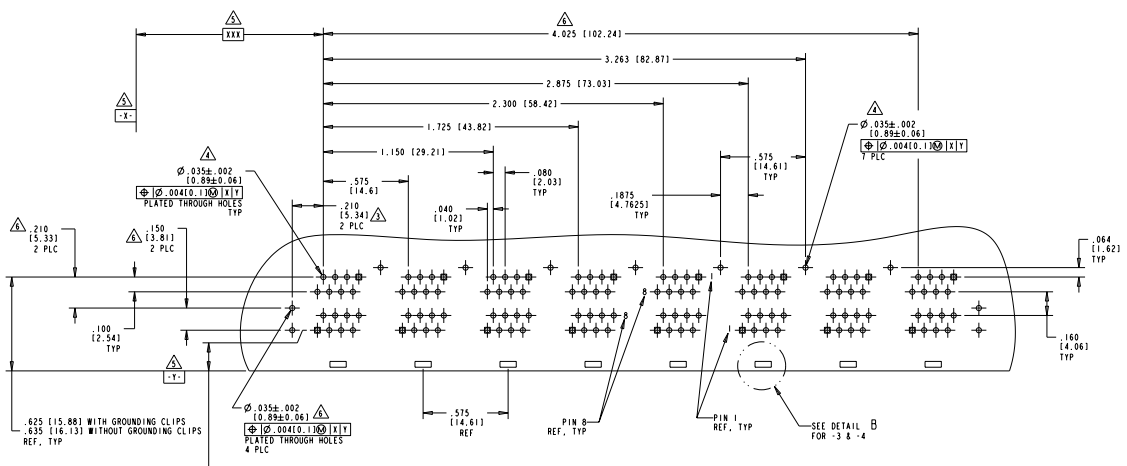
△ OBSOLETE	8	NONE	6116689-4
	8	4	6116689-3
	NONE	NONE	6116689-1
	GROUND CLIPS	SIDE PCB ACTION PIN HOLES	PART NUMBER

INCHES (mm) PART NO. REV. DATE BY CHECKED APPROVED	DRAWING NO. 6116689-1 REV. 01 05/11/04 BY CHECKED APPROVED	TITLE STACKED MODULAR JACK ASSEMBLY, 2 X 8 POSITION, SHIELDED, PANEL GROUND, OFFSET, CAT 5	DATE 05/11/04 DRAWN BY 00778 CUSTOMER DRAWING SHEET 1 OF 2	TECH ELECTRONICS 17105-3600 HARRISBURG, PA 17105-3600
--	--	---	---	---

REV	DATE	DESCRIPTION	BY	CHK	APP
AA	22	SEE SHEET 1			

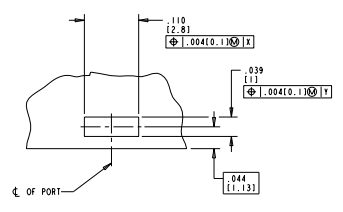


RECOMMENDED PANEL CUT-OUT



PC BOARD LAYOUT (COMPONENT SIDE)

PARTS WITH GROUNDING CLIPS = .265(6.73)  
 PARTS WITHOUT GROUNDING CLIPS = .275(6.99)



DETAIL B  
 THESE PLATED PADS REQUIRED FOR 6116689-3 & -4  
 SCALE: 10:1  
 8 PLACES

DATE: 04/24/22 BY: PCB ELECTRONICS CORPORATION. ALL RIGHTS RESERVED.		REV: AA 22		REVISIONS	
SHEET NO: 3 OF 3		DRAWING NO: 6116689		CUSTOMER DRAWING	
INCHES (mm)		TITLE: STACKED MODULAR JACK ASSEMBLY, 2 X 8, B POSITION, SHIELDED, PANEL GROUND, OFFSET, CAT 5		SCALE: 10:1	
PARTS WITH GROUNDING CLIPS = .265(6.73) PARTS WITHOUT GROUNDING CLIPS = .275(6.99)		MANUFACTURER: Tyco Electronics, Harrisburg, PA 17105-3600		PART NUMBER: 6116689	