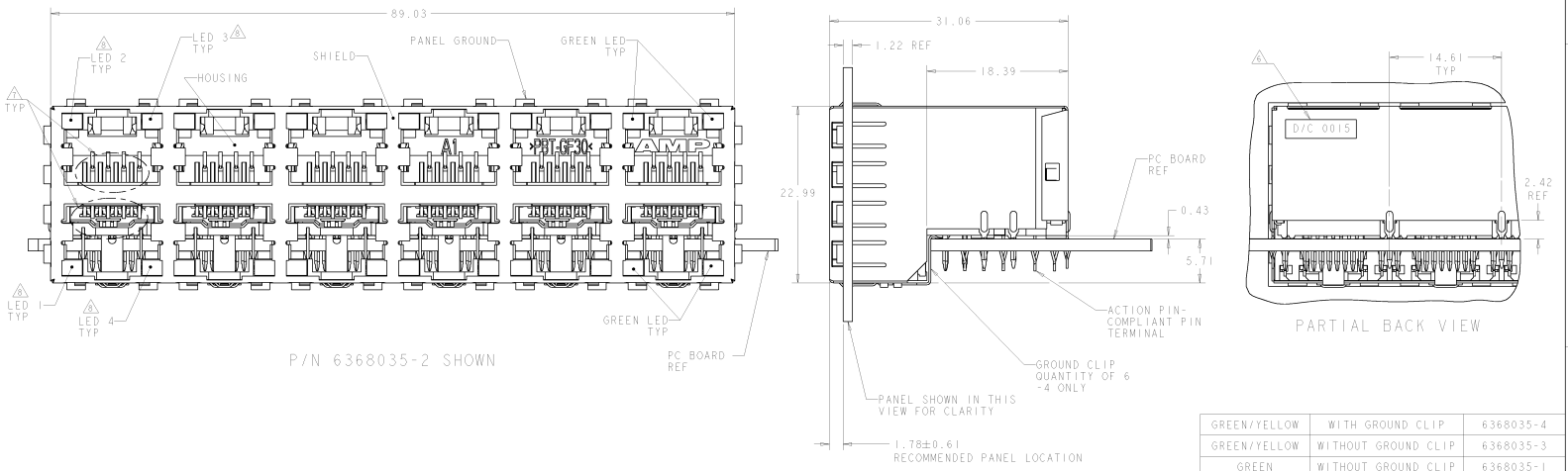


8	7	6	5	4	3	2	1
APPROVED FOR PRODUCTION							
BY: [Signature]							

REV	DATE	DESCRIPTION	BY	CHK	APP
AA	22				
1		REVISED PER DC 0511-0201-04			

1. MATERIAL:
- HOUSING: PBT POLYESTER, BLACK, UL 94V-0.
  - TERMINALS: 0.33 THICK PHOSPHOR BRONZE PLATED WITH 1.27µm MINIMUM THICK HARD GOLD IN LOCALIZED AREA AND 2µm MINIMUM THICK MATTE TIN IN ACTION PIN COMPLIANT PIN TERMINAL AREA OVER 1.27µm MINIMUM THICK NICKEL UNDERPLATE.
  - SHIELD: 0.25 THICK COPPER ALLOY PLATED WITH 2.03µm MINIMUM BRIGHT TIN OVER 1.27µm MINIMUM NICKEL.
  - LIGHT EMITTING DIODE (LED): DIFFUSED EPOXY LENS, 12-95 CARBON STL WIREFRAME LEADS PREPLATED WITH 2.29µm SILVER OVER 1.02µm NICKEL UNDERPLATE OVER 2.03µm COPPER UNDERPLATE.
  - LED ACTION PIN - COMPLIANT PIN CONTACTS 0.3 THICK BRASS PLATED WITH 2-4µm BRIGHT TIN.
2. JACK CAVITY CONFORMS TO FCC RULES AND REGULATIONS, PART 68 SUBPART F.
3. ALL DIMENSIONS ARE NOMINAL UNLESS OTHERWISE SPECIFIED.
- ⚠ DRILLED HOLE DIA = 1.02±0.025. COPPER THICKNESS = 0.025-0.075. TIN-LEAD THICKNESS = 0.008 MIN.
  - ⚠ DATUMS AND BASIC DIMENSIONS ESTABLISHED BY CUSTOMER.
  - ⚠ DATE CODE LOCATED ON REAR OF PART APPROXIMATELY AS SHOWN.
  - ⚠ CONTACTS ARE NOT INTENDED TO BE ALIGNED WITH EACH OTHER.
  - ⚠ SUGGESTED OPERATING CURRENT FOR LEDS IS 20 mA.



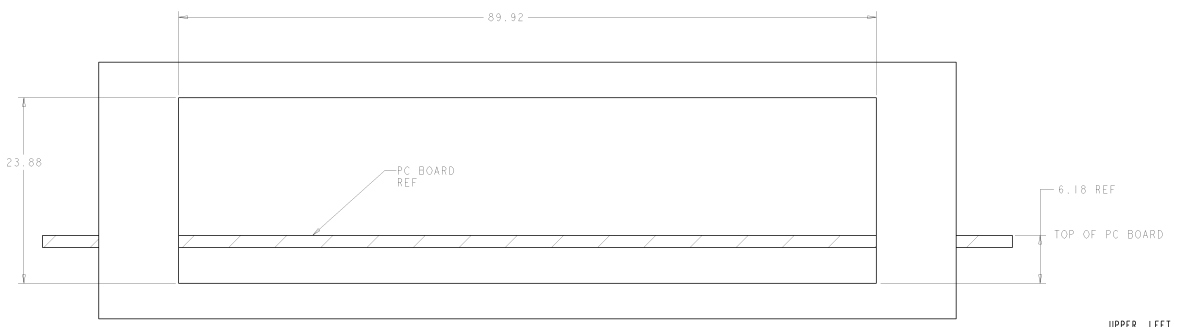
LED COLOR	DESCRIPTION	PART NUMBER
GREEN/YELLOW	WITH GROUND CLIP	6368035-4
GREEN/YELLOW	WITHOUT GROUND CLIP	6368035-3
GREEN	WITHOUT GROUND CLIP	6368035-1

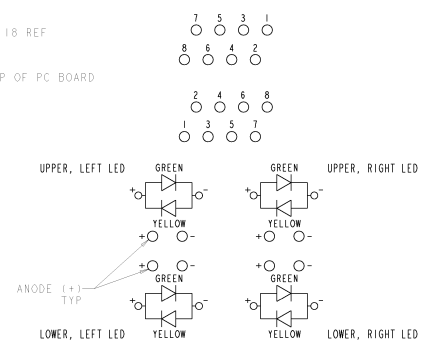
<table border="1"> <tr> <th>REV</th> <th>DATE</th> <th>DESCRIPTION</th> <th>BY</th> <th>CHK</th> <th>APP</th> </tr> <tr> <td>1</td> <td></td> <td>ISSUED FOR PRODUCTION</td> <td></td> <td></td> <td></td> </tr> </table>	REV	DATE	DESCRIPTION	BY	CHK	APP	1		ISSUED FOR PRODUCTION				<table border="1"> <tr> <td>REV</td> <td>DATE</td> <td>DESCRIPTION</td> <td>BY</td> <td>CHK</td> <td>APP</td> </tr> <tr> <td>1</td> <td></td> <td>ISSUED FOR PRODUCTION</td> <td></td> <td></td> <td></td> </tr> </table>	REV	DATE	DESCRIPTION	BY	CHK	APP	1		ISSUED FOR PRODUCTION				<table border="1"> <tr> <td>REV</td> <td>DATE</td> <td>DESCRIPTION</td> <td>BY</td> <td>CHK</td> <td>APP</td> </tr> <tr> <td>1</td> <td></td> <td>ISSUED FOR PRODUCTION</td> <td></td> <td></td> <td></td> </tr> </table>	REV	DATE	DESCRIPTION	BY	CHK	APP	1		ISSUED FOR PRODUCTION			
REV	DATE	DESCRIPTION	BY	CHK	APP																																	
1		ISSUED FOR PRODUCTION																																				
REV	DATE	DESCRIPTION	BY	CHK	APP																																	
1		ISSUED FOR PRODUCTION																																				
REV	DATE	DESCRIPTION	BY	CHK	APP																																	
1		ISSUED FOR PRODUCTION																																				

DATE MANUFACTURE	REVISED FOR MANUFACTURE
03/08/2008	BY TECH ELECTRONICS CORPORATION, ALL RIGHTS RESERVED

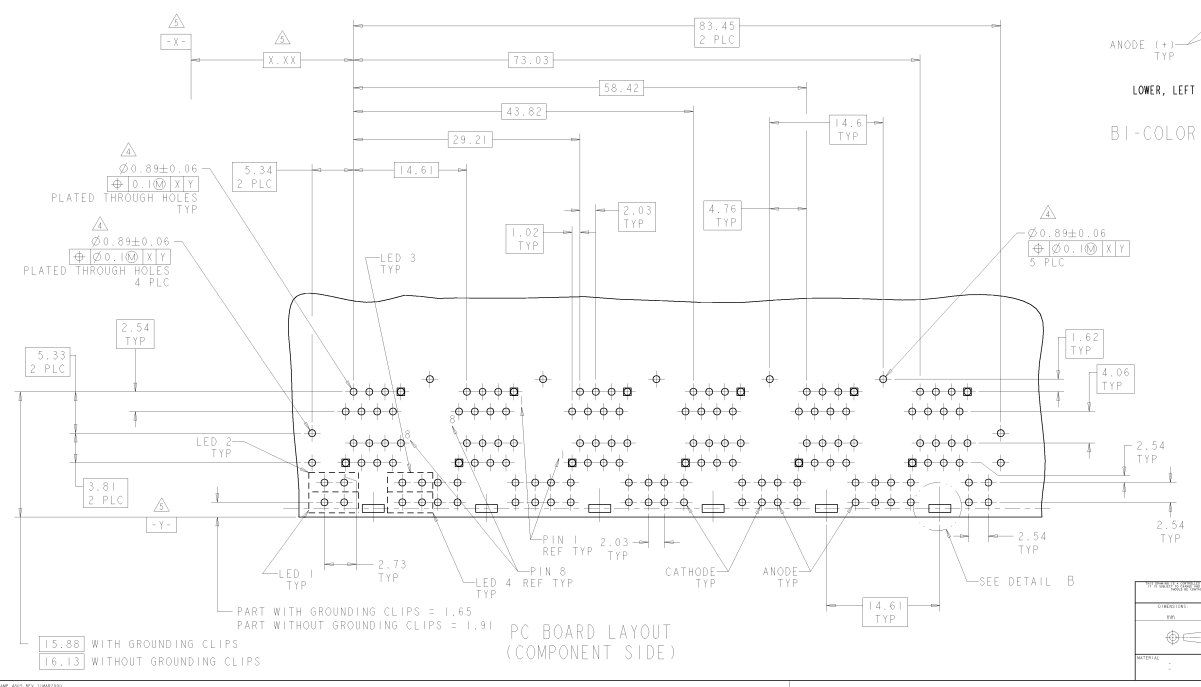
REV	DATE	DESCRIPTION	BY	CHK	APP
AA	22	SEE SHEET 1			



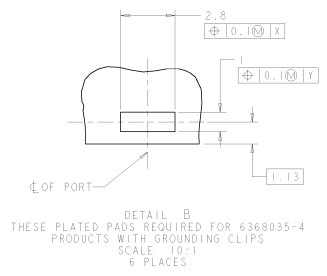
RECOMMENDED PANEL CUT-OUT



BI-COLOR LED SCHEMATIC FOR 6368035-3 & -4



PC BOARD LAYOUT (COMPONENT SIDE)



DATE MANUFACTURE	REVISED FOR MANUFACTURE	DATE	REV	DESCRIPTION
03/08/2008	BY TECH ELECTRONICS CORPORATION, ALL RIGHTS RESERVED			
MATERIAL		PART NUMBER		DESCRIPTION
		A 00779		STACKED MODULAR JACK ASSEMBLY
				2 X 6 OFFSET W/LEDS - 8 POSN. RJ45
				SHIELDED PANEL GROUND. CAT 5
				REVISIONS
				REV 1
				REV 2
				REV 3
				REV 4
				REV 5
				REV 6
				REV 7
				REV 8
				REV 9
				REV 10
				REV 11
				REV 12
				REV 13
				REV 14
				REV 15
				REV 16
				REV 17
				REV 18
				REV 19
				REV 20
				REV 21
				REV 22
				REV 23
				REV 24
				REV 25
				REV 26
				REV 27
				REV 28
				REV 29
				REV 30
				REV 31
				REV 32
				REV 33
				REV 34
				REV 35
				REV 36
				REV 37
				REV 38
				REV 39
				REV 40
				REV 41
				REV 42
				REV 43
				REV 44
				REV 45
				REV 46
				REV 47
				REV 48
				REV 49
				REV 50
				REV 51
				REV 52
				REV 53
				REV 54
				REV 55
				REV 56
				REV 57
				REV 58
				REV 59
				REV 60
				REV 61
				REV 62
				REV 63
				REV 64
				REV 65
				REV 66
				REV 67
				REV 68
				REV 69
				REV 70
				REV 71
				REV 72
				REV 73
				REV 74
				REV 75
				REV 76
				REV 77
				REV 78
				REV 79
				REV 80
				REV 81
				REV 82
				REV 83
				REV 84
				REV 85
				REV 86
				REV 87
				REV 88
				REV 89
				REV 90
				REV 91
				REV 92
				REV 93
				REV 94
				REV 95
				REV 96
				REV 97
				REV 98
				REV 99
				REV 100