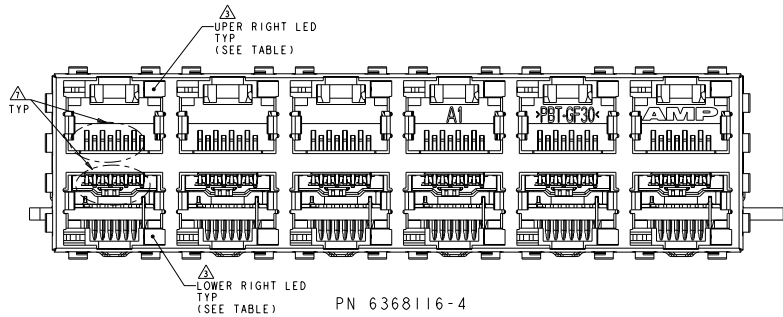
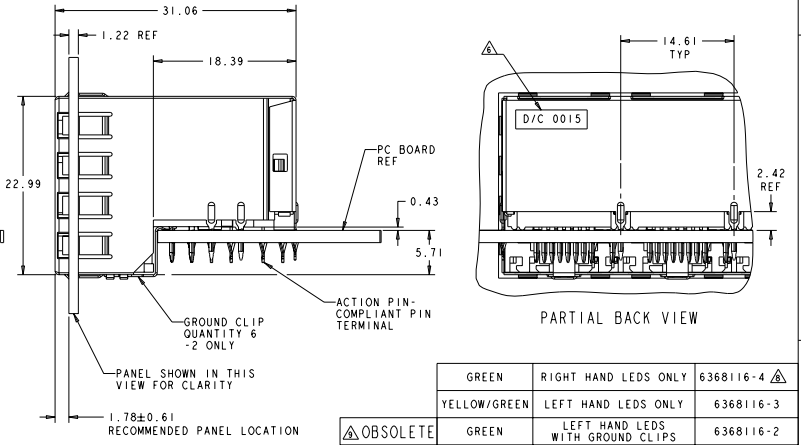
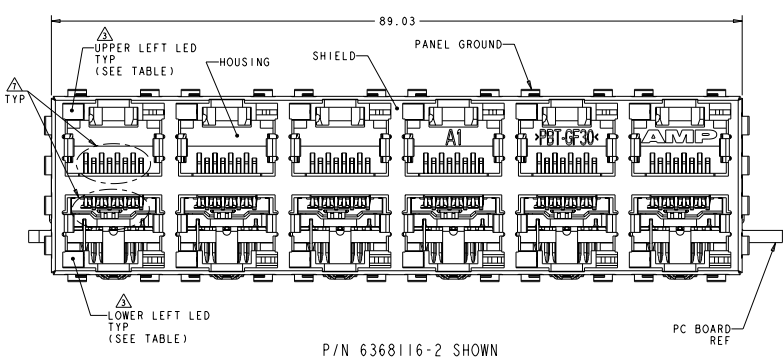


REV	DATE	DESCRIPTION	BY	CHK	APP
AA	22				
B	ECO-06-003155		JOHNMAN	LAN	JW
C	ECR-08-020613		JOHNMAN	JT	ST
CI	REVISED PER ECO-09-025699		JOHNMAN	KA	AEQ



- MATERIAL:
HOUSING:
PBT POLYESTER, BLACK, UL 94V-0.
TERMINALS:
0.33 THICK PHOSPHOR BRONZE PLATED WITH 1.27µm MINIMUM THICK HARD GOLD IN LOCALIZED AREA AND 2µm MINIMUM THICK MATTE TIN. IN ACTION PIN COMPLIANT PIN TERMINAL AREA OVER 1.27µm MINIMUM THICK NICKEL UNDERPLATE.
SHIELD:
0.25 THICK COPPER ALLOY PLATED WITH 2.03µm MINIMUM BRIGHT TIN OVER 1.27µm MINIMUM NICKEL.
LIGHT EMITTING DIODE (LED):
DIFFUSED EPOXY LENS, 0.51 CARBON STL WIREFRAME LEADS PREPLATED WITH 8.89 µm THICK TIN/COPPER OVER 2.03 µm THICK SILVER OVER 1.02 µm THICK COPPER OVER 3.56 µm THICK NICKEL OVER 1.02 µm THICK COPPER UNDERPLATE.
LED ACTION PIN - COMPLIANT PIN CONTACTS 0.3 THICK BRASS PLATED WITH 2-4µm BRIGHT TIN.
- JACK CAVITY CONFORMS TO FCC RULES AND REGULATIONS, PART 68 SUBPART F.
 ⚠ SUGGESTED OPERATING CURRENT FOR LEDS IS 20 mA
 ⚠ DRILLED HOLE DIA = 1.02±.025.
 COPPER THICKNESS = 0.025-0.075.
 TIN THICKNESS = 0.008 MIN.
 ⚠ DATUMS AND BASIC DIMENSIONS ESTABLISHED BY CUSTOMER
 ⚠ DATE CODE LOCATED ON REAR OF PART APPROXIMATELY AS SHOWN
 ⚠ CONTACTS ARE NOT INTENDED TO BE ALIGNED WITH EACH OTHER
 ⚠ FOR THE PART NUMBER 6368116-4, CONTACT AREA LUBRICATED WITH BELLCORE APPROVED LUBRICANT. TECHNICAL REFERENCE GR-1217-CORE, ISSUE 1, NOVEMBER 1995.
 ⚠ OBSOLETE PARTS: OBSOLETE C15 STREAMLINING PER D.RENAUD/D.SINISI

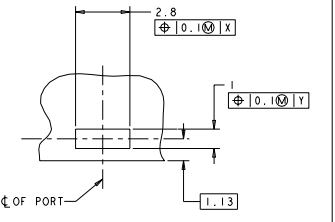
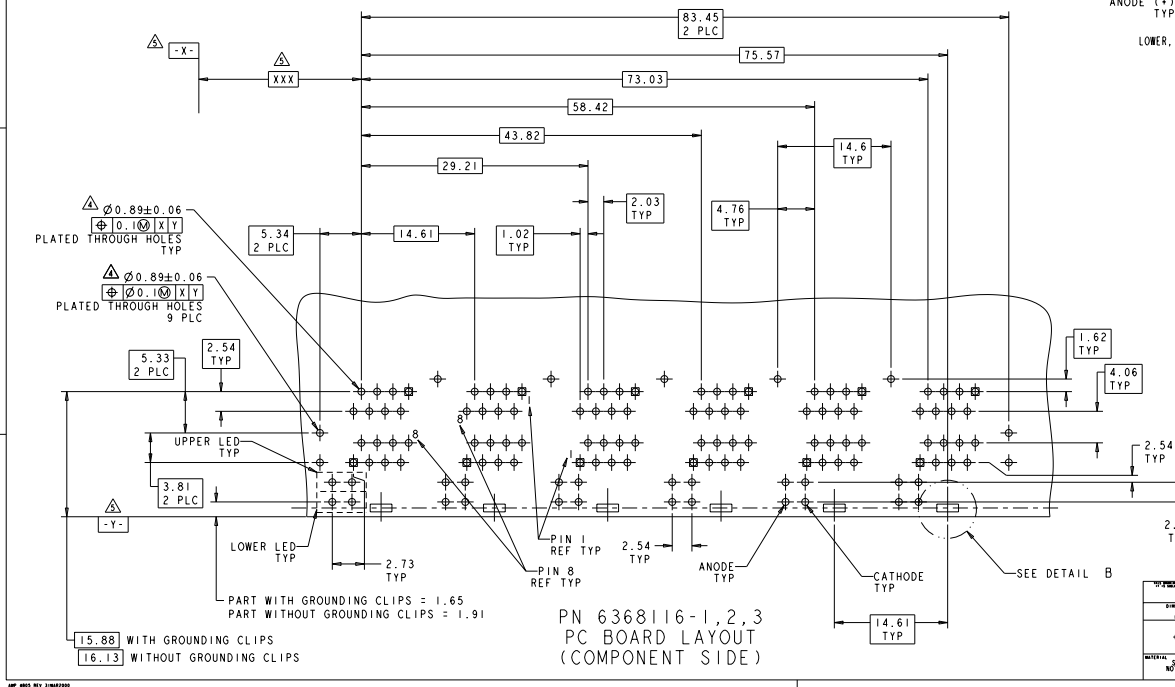
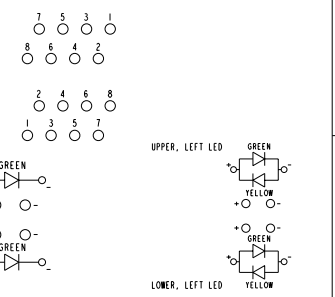
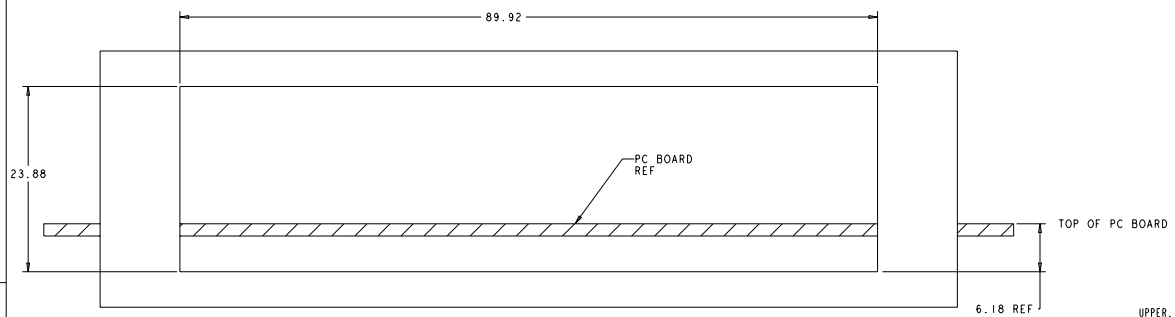


LED COLOR	DESCRIPTION	PART NUMBER
GREEN	RIGHT HAND LEDS ONLY	6368116-4 ⚠
YELLOW/GREEN	LEFT HAND LEDS ONLY	6368116-3
GREEN	LEFT HAND LEDS WITH GROUND CLIPS	6368116-2
GREEN	LEFT HAND LEDS ONLY	6368116-1

⚠ OBSOLETE

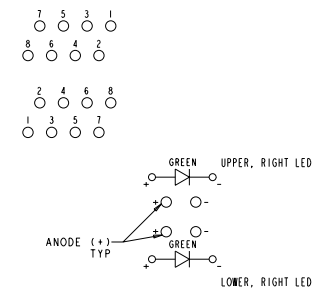
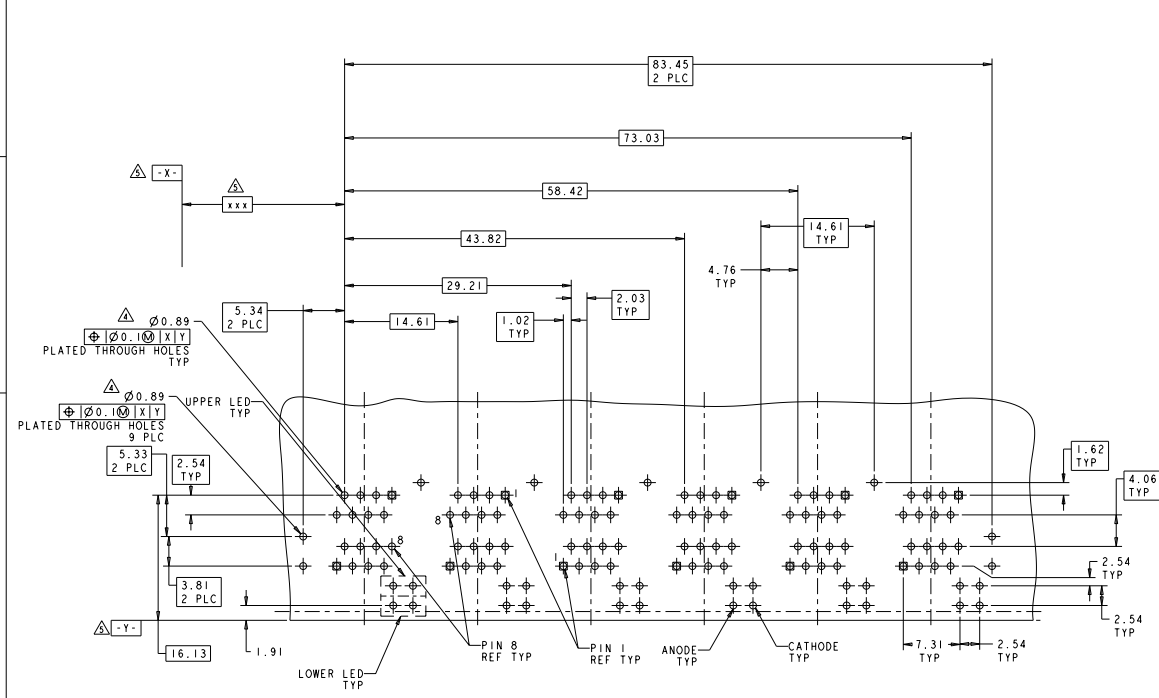
REV	DATE	DESCRIPTION	BY	CHK	APP
1	00779	06/20/05			
2	00779	07/20/05			
3	00779	07/20/05			
4	00779	07/20/05			
5	00779	07/20/05			
6	00779	07/20/05			
7	00779	07/20/05			
8	00779	07/20/05			
9	00779	07/20/05			
10	00779	07/20/05			
11	00779	07/20/05			
12	00779	07/20/05			
13	00779	07/20/05			
14	00779	07/20/05			
15	00779	07/20/05			
16	00779	07/20/05			
17	00779	07/20/05			
18	00779	07/20/05			
19	00779	07/20/05			
20	00779	07/20/05			
21	00779	07/20/05			
22	00779	07/20/05			

REV	DATE	DESCRIPTION	BY	CHK	APP
AA	22	SEE SHEET 1			



DATE: 07/20/05	BY: TSC/ELC/ELC/COM/CON	APP: TSC/ELC/ELC/COM/CON	REV: AA
DESCRIPTION: OFFSET STACKED MOD JACK ASSEMBLY	2 X 8 POSITION, RJ45, SHIELDED	PANEL GROUND, WITH LEFT LED, CAT 5	
PROJECT: 114-2162	REV: 1	DATE: 07/20/05	BY: TSC/ELC/ELC/COM/CON
CUSTOMER: A	00779	6368116	
PAGE: 4		OF: 3	

REV	DATE	REVISIONS	BY	CHK	APP
AA	22	SEE SHEET 1			



**6368116-4
LED SCHEMATIC**

PN 6368116-4
PC BOARD LAYOUT
(COMPONENT SIDE)

DATE: 07/20/2005	DESIGNED BY: J. WILSON	DATE: 07/20/2005	DESIGNED BY: J. WILSON
REV: 1	DATE: 07/20/2005	REV: 1	DATE: 07/20/2005
DESCRIPTION: OFFSET STACKED MOD JACK ASSEMBLY	DESCRIPTION: OFFSET STACKED MOD JACK ASSEMBLY	DESCRIPTION: OFFSET STACKED MOD JACK ASSEMBLY	DESCRIPTION: OFFSET STACKED MOD JACK ASSEMBLY
PART NO: 6368116-4	PART NO: 6368116-4	PART NO: 6368116-4	PART NO: 6368116-4
REV: 1	REV: 1	REV: 1	REV: 1
DATE: 07/20/2005	DATE: 07/20/2005	DATE: 07/20/2005	DATE: 07/20/2005
BY: J. WILSON	BY: J. WILSON	BY: J. WILSON	BY: J. WILSON
CHK: J. WILSON	CHK: J. WILSON	CHK: J. WILSON	CHK: J. WILSON
APP: J. WILSON	APP: J. WILSON	APP: J. WILSON	APP: J. WILSON
CUSTOMER DRAWING	CUSTOMER DRAWING	CUSTOMER DRAWING	CUSTOMER DRAWING