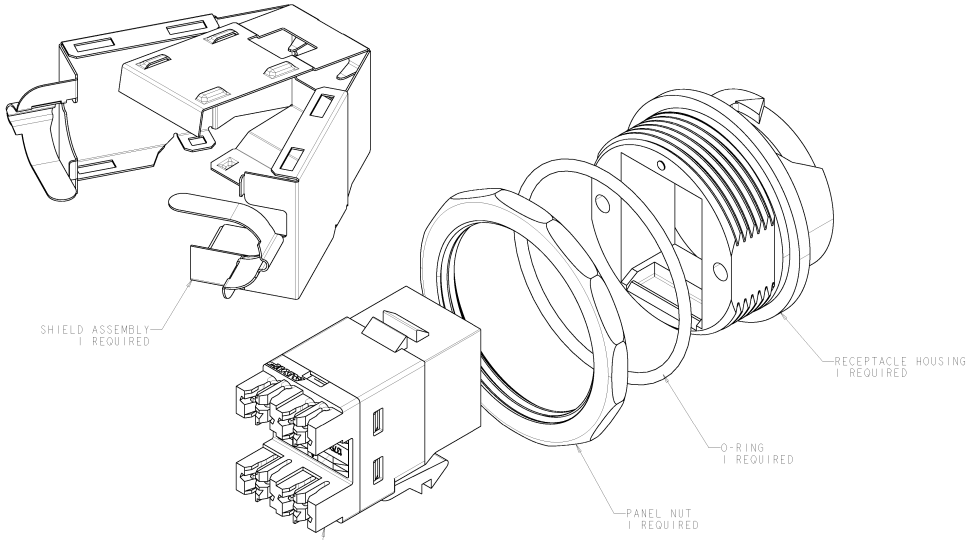
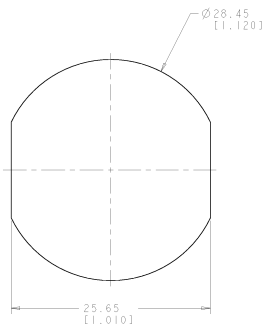


8	7	6	5	4	3	2	1
DATE REVISIONS TO SUPERSEDE	REVISIONS FOR PREVIOUS						
BY: [blank]	BY: [blank]						

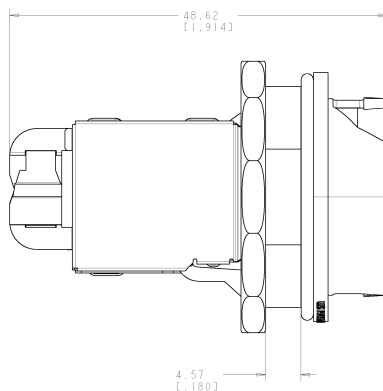
REV	DATE	DESCRIPTION	BY	CHK	APP
B	03/03/03	RECEPTACLE	JUN03	LH	CO
B	REV: EC 0040-1023-04		10/04	GG	MO



SL 110  
CAT 5E JACK  
PART NUMBER 1375189-1  
1 REQUIRED



RECOMMENDED PANEL CUTOUT  
SCALE 4:1



MAXIMUM RECOMMENDED  
PANEL THICKNESS

- △ MATERIAL: JACK HOUSING - POLYPHENYLENE OXIDE, 94V-0 RATED.  
ARRAY TRAY - PBT POLYESTER.  
JACK BLOCK - POLYCARBONATE.  
JACK CONTACTS - BERYLLIUM COPPER, PLATED WITH 1.27µm [0.00050] MINIMUM THICK GOLD IN LOCALIZED AREA AND 3.81µm [0.00150] MINIMUM THICK TIN-LEAD IN SOLDER AREA OVER 1.27µm [0.00050] MINIMUM THICK NICKEL UNDERPLATE.  
SHIELD - COPPER ZINC ALLOY 260 PREPLATED WITH BRIGHT NICKEL.  
IDC TERMINALS - PHOSPHOROUS BRONZE, PLATED WITH 3.81µm [0.0015] MINIMUM THICK BRIGHT TIN-LEAD OVER 1.27µm [0.00050] MINIMUM THICK NICKEL UNDERPLATE.  
RECEPTACLE HOUSING - PBT, 94V-0 RATED.  
O-RING SEALS - BUNA.  
PANEL NUT - NICKEL PLATED BRASS.
- 2. SL 110 JACK WILL TERMINATE 22-24 AWG SOLID CONDUCTORS AND 24 AWG STRANDED CONDUCTORS, 1.14 [0.045] MAXIMUM INSULATION DIAMETER.
- △ SUGGESTED PANEL CUTOUT OPENING.
- △ PACKAGED ONE MODULAR JACK, ONE SHIELD, ONE O-RING, ONE ETHERSEAL HOUSING, AND ONE PANEL NUT, PER POLYBAG. KIT SHIPPED NOT ASSEMBLED.
- △ REFER TO INSTRUCTION SHEET 408-8602 FOR JACK TERMINATION ASSEMBLY INSTRUCTIONS AND 408-8875 FOR ETHERSEAL RECEPTACLE KIT ASSEMBLY INSTRUCTIONS.

BLACK	1479564-2
COLOR	PART NUMBER

MILITARY DRAWING		DATE: 10/04/04		BY: [blank]	
DRAWN BY: [blank]		CHECKED BY: [blank]		APPROVED BY: [blank]	
MATERIAL: [blank]		PART NUMBER: 1479564		REV: A	
QUANTITY: [blank]		UNIT: [blank]		SCALE: [blank]	