

4

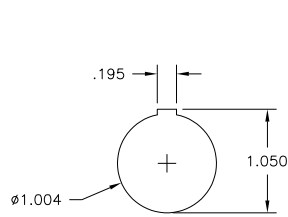
3

2

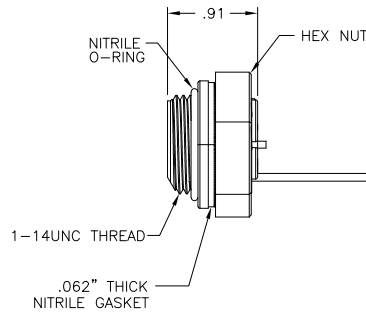
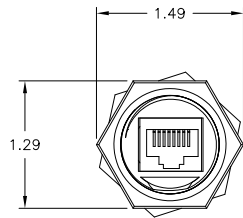
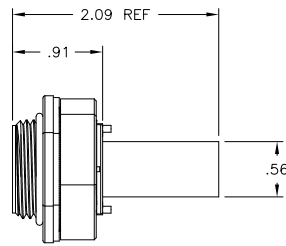
1

THIS DRAWING IS UNPUBLISHED. RELEASED FOR PUBLICATION
 © COPYRIGHT - By - ALL RIGHTS RESERVED.

LOC		DIST		REVISIONS				
P	LTR	DESCRIPTION			DATE	DWN	APVD	
	C1	REVISED PER ECO-11-004917			11MAR11	RK	HMR	



BACKEND DIMS.
OF RECEPTACLE



1-1546409-1
SUPERSEDED 1546409-1
PART NO.

THIS DRAWING IS A CONTROLLED DOCUMENT.		DWN	09OCT2002	TE Connectivity																			
		CHK	10/9/02																				
DIMENSIONS:		TOLERANCES UNLESS OTHERWISE SPECIFIED:		NAME																			
INCHES				RECEPTACLE WITH PC BOARD																			
<table border="1"> <tr><td>0</td><td>PLC</td><td>± .</td></tr> <tr><td>1</td><td>PLC</td><td>± .</td></tr> <tr><td>2</td><td>PLC</td><td>± .02</td></tr> <tr><td>3</td><td>PLC</td><td>± .005</td></tr> <tr><td>4</td><td>PLC</td><td>± .</td></tr> <tr><td colspan="2">ANGLES</td><td>± 2°</td></tr> </table>		0	PLC	± .	1	PLC	± .	2	PLC	± .02	3	PLC	± .005	4	PLC	± .	ANGLES		± 2°	APVD		PRODUCT SPEC	
0	PLC	± .																					
1	PLC	± .																					
2	PLC	± .02																					
3	PLC	± .005																					
4	PLC	± .																					
ANGLES		± 2°																					
MATERIAL		FINISH		APPLICATION SPEC																			
				RESTRICTED TO																			
				SIZE CAGE CODE DRAWING NO																			
				A3 00779 C-1546409																			
				WEIGHT																			
				CUSTOMER DRAWING																			
				SCALE NTS SHEET 1 OF 1 REV C1																			