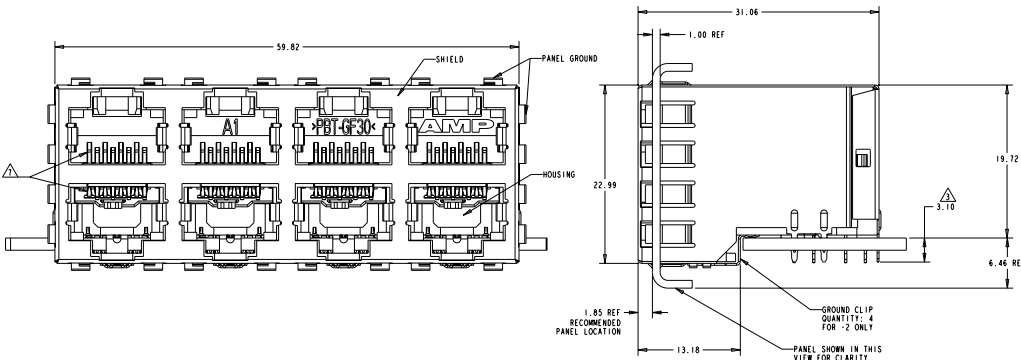
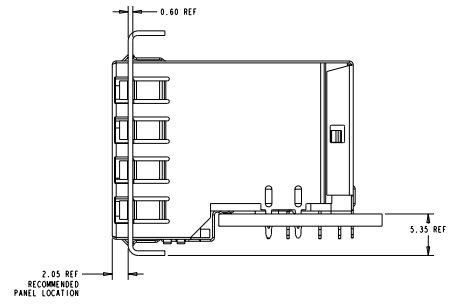
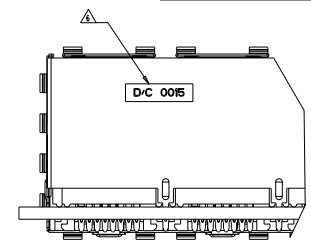


REV	DATE	DESCRIPTION	BY	CHK	APP
AA	00				
A		RELEASED	ZHONGHAI	LAN	JW
B		ECO-01-001858	ZHONGHAI	LAN	JW
C		ECO-01-000800	ZHONGHAI	LAN	JW
D		ECR-00-019486	ZHONGHAI	A.L	S.T



ATCA PANEL AND PRINTED CIRCUIT BOARD ASSEMBLY LAYOUT



AMC PANEL AND PRINTED CIRCUIT BOARD ASSEMBLY LAYOUT

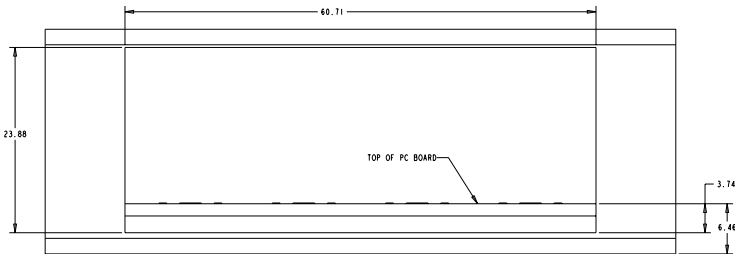
- MATERIAL:**
HOUSING: PET POLYESTER, BLACK, UL 94V-0
TERMINALS: 0.33 THICK PHOSPHOR BRONZE PLATED WITH 1.27µm MINIMUM THICK HARD GOLD IN LOCALIZED AREA AND 2.0µm MINIMUM THICK MATTE TIN IN COMPLIANT PIN TERMINAL AREA OVER 1.27µm MINIMUM THICK NICKEL UNDERPLATE
SHIELD: 0.25 THICK COPPER ALLOY PLATED WITH 2.03µm MINIMUM TIN OVER 2.27µm MINIMUM NICKEL
GROUND CLIP: 0.25 THICK COPPER ALLOY PRE-PLATED WITH 2.03µm MINIMUM MATTE TIN OVER 1.27µm MINIMUM NICKEL
 - JACK CAVITY CONFORMS TO FCC RULES AND REGULATIONS, PART 68 SUBPART F.
- ⚠ MAXIMUM PIN LENGTH 3.40 FROM TOP SURFACE OF PC BOARD
 - ⚠ FINISHED PLATED THROUGH HOLE DIAMETER - ANNULAR RING DIAMETER 1.3 TO 1.5
 - ⚠ DATUMS AND BASIC DIMENSIONS ESTABLISHED BY CUSTOMER
 - ⚠ DATE CODE LOCATED ON REAR OF PART APPROXIMATELY AS SHOWN
 - ⚠ CONTACTS ARE NOT INTENDED TO BE ALIGNED WITH EACH OTHER

15.88	WITH GROUND CLIP	1888506-2 (SHOWN)
16.13	WITHOUT GROUND CLIP	1888506-1

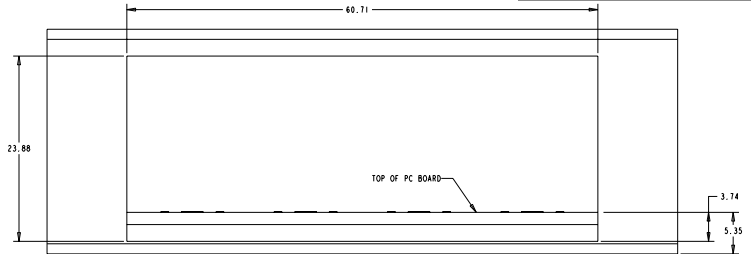
M DIM	DESCRIPTION	PART NUMBER
15.88	STACKED MOD JACK ASSEMBLY, 2 X 4, 8 POSN, RJ45, SHIELDED, PANEL GROUND, OFFSET, CAT 5	188-1854
16.13	STACKED MOD JACK ASSEMBLY, 2 X 4, 8 POSN, RJ45, SHIELDED, PANEL GROUND, OFFSET, CAT 5	188-1854

DATE: 08/24/2010 BY: PACE ELECTRONICS CORPORATION ALL RIGHTS RESERVED
 DRAWING NO: 188-1854
 REV: 1
 CUSTOMER DRAWING
 DATE CODE: 00778
 PART NUMBER: 1888506
 SHEET: 1 OF 2
 DRAWN BY: ZHONGHAI
 CHECKED BY: LAN
 APPROVED BY: JW

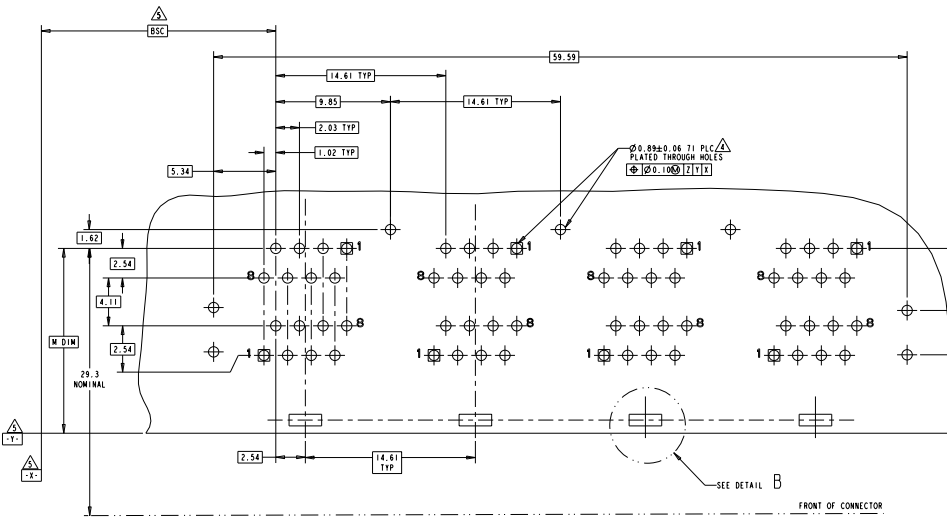
REV	DATE	DESCRIPTION	BY	CHK	APP
AA	00	SEE SHEET 1			



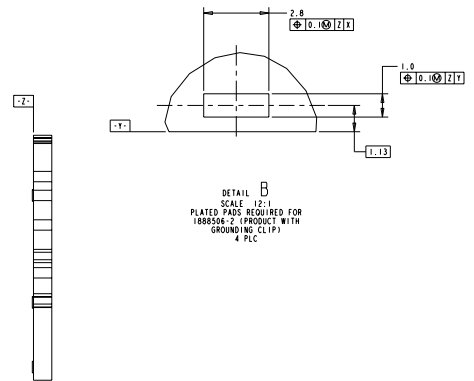
ATCA PANEL AND PRINTED CIRCUIT BOARD LAYOUT



AMC PANEL AND PRINTED CIRCUIT BOARD LAYOUT



PC BOARD LAYOUT (COMPONENT SIDE)



DATE: 08/24/2018	BY: TPC ELECTRONICS CORPORATION	ALL RIGHTS RESERVED	DATE: 08/24/2018	BY: TPC ELECTRONICS CORPORATION	ALL RIGHTS RESERVED
REV: AA	DATE: 00	DESCRIPTION: SEE SHEET 1	BY:	CHK:	APP:
TITLE: STACKED MOD JACK ASSEMBLY, 2 X 4, 8 POSN, RJ45, SHIELDED, PANEL GROUND, OFFSET, CAT 5 PART: 188-1854 PROJECT: 114-2169 REV: A CUSTOMER DRAWING			DATE: 08/24/2018 BY: TPC ELECTRONICS CORPORATION ALL RIGHTS RESERVED PART: 188-1854 PROJECT: 114-2169 REV: A CUSTOMER DRAWING		