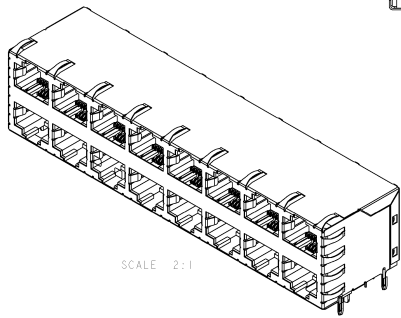
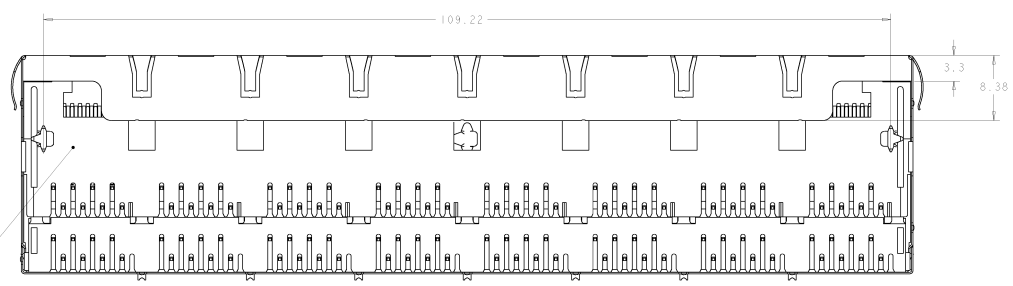
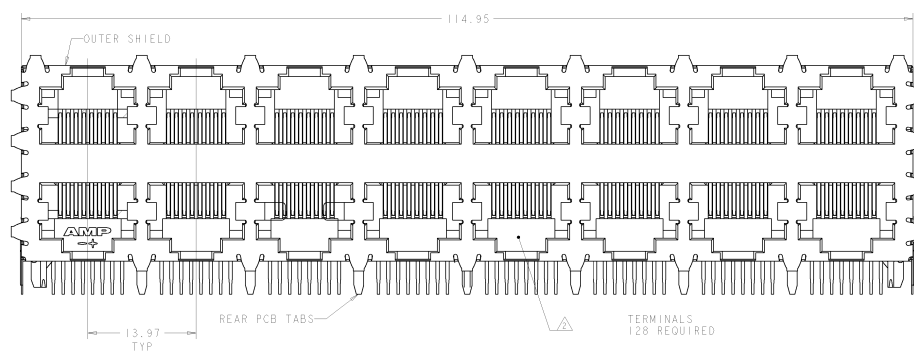
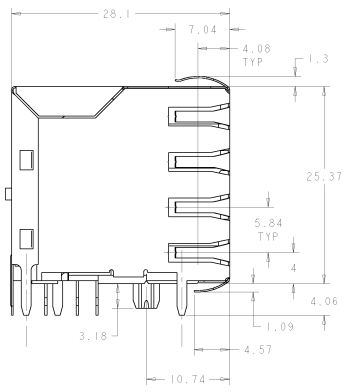


DATE STARTED TO MANUFACTURE	REVISED FOR PRODUCTION
03/09/2016	BY TECH ELECTRONICS CORPORATION, ALL RIGHTS RESERVED

REV	DATE	DESCRIPTION	BY	CHKD	APPD
1					
2					
3		REV PER ECO-11-0201-04	CHANGING	GA	DF
4		REV PER ECO-01-024583	CHANGING	RD	JW
5		REVISED PER ECO-10-000446	11JAN10	KK	AEQ

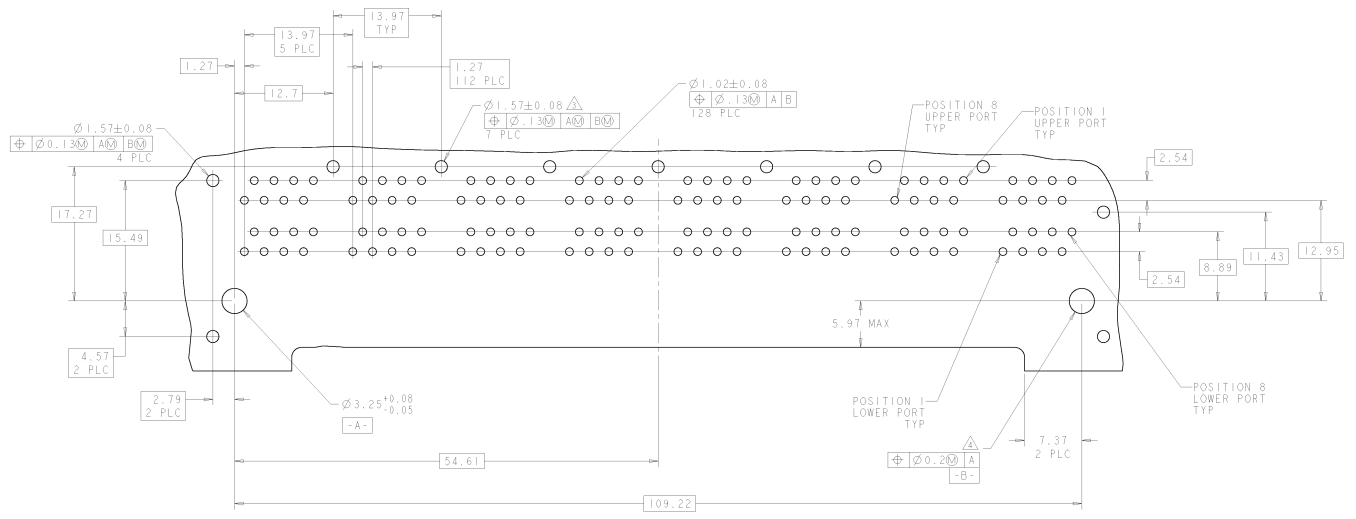


- △ HOUSING: PCT POLYESTER, BLACK, UL 94V-0, IR REFLOW PROCESS COMPATIBLE
- TERMINALS: 0.305 THICK PHOS BRONZE PLATED WITH 1.27µm MINIMUM THICK HARD GOLD IN LOCALIZED AREA AND 2.03µm MINIMUM THICK MATTE TIN IN SOLDER AREA OVER 1.27µm MINIMUM THICK NICKEL UNDERPLATE.
- SHIELD: 0.156 THICK COPPER ALLOY PLATED WITH 1.27µm MINIMUM NICKEL AND 2.03µm MINIMUM HOT TIN DIP ON PCB GROUND TABS.
- △ JACK CAVITY CONFORMS TO FCC RULES AND REGULATIONS, PART 68 SUBPART F
- △ PCB HOLES ONLY REQUIRED FOR 6339170-1
- △ USE #30 DRILL BIT OR 3.25mm DRILL BIT WHEN PRODUCING THESE PCB HOLES
- 5. RECOMMENDED APPLICATIONS: FAST ETHERNET, AND 10/100 BASE-T ETHERNET (CAT 5 TWO PAIR 1/2, 3/6)
- △ OBSOLETE PARTS: OBSOLETE CIS STREAMLINING PER D.RENAUD/D.SINISI

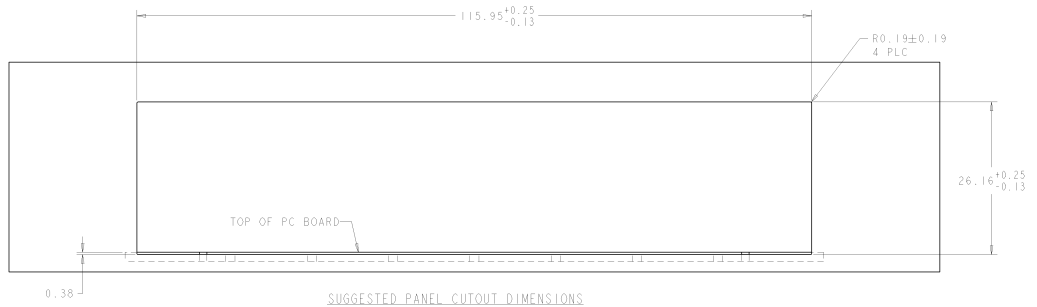
△ OBSOLETE	NONE	6339170-2
	NUMBER OF REAR PCB TABS	PART NO. 6339170-1

MANUFACTURER: EN PART NO.: 6339170-1 DATE: 03/09/2016 MATERIAL: PBT	DRAWN BY: J. J. JONES CHECKED BY: J. J. JONES DATE: 03/09/2016 CUSTOMER DRAWING: A	QTY: 10000 MFG: BELMONT, NJ 07005 PART NO.: 6339170-1 REV: 1 DATE: 03/09/2016 CUSTOMER DRAWING: A	TYCO Electronics SMP Incorporated Harrisburg, PA 17105-8600 ASSEMBLY STACKED JACK 2X8, 8 POSITION SHIELDED, WAVE PANEL GROUND	DRAWN BY: J. J. JONES CHECKED BY: J. J. JONES DATE: 03/09/2016 CUSTOMER DRAWING: A
------------------------------------------------------------------------------	---------------------------------------------------------------------------------------------	------------------------------------------------------------------------------------------------------------------	-----------------------------------------------------------------------------------------------------------------------------------------------------	---------------------------------------------------------------------------------------------

REV. NO.		DATE	DESCRIPTION	BY	CHK
AA	22		SEE SHEET 1		



PC BOARD LAYOUT VIEWED FROM COMPONENT SIDE OF BOARD
 SCALE: 4:1



SUGGESTED PANEL CUTOUT DIMENSIONS
 SCALE: 3:1

REVISIONS		DATE		DESCRIPTION	
AA	22			SEE SHEET 1	

DATE: 08/11/2010	BY: TERRY L. BROWN	CHECKED BY: TERRY L. BROWN	APP: TERRY L. BROWN
REV: 22	DATE: 08/11/2010	DESCRIPTION: ASSEMBLY STACKED JACK, 2X8, 8 POSITION, SHIELDED, WAVE PANEL GROUND	REVISED BY: TERRY L. BROWN
PART: 100-11433-1	REV: 22	QTY: 1000	REVISED BY: TERRY L. BROWN
REV: 22	DATE: 08/11/2010	REVISED BY: TERRY L. BROWN	REVISED BY: TERRY L. BROWN
CUSTOMER DRAWING: A	00779	02-6339170	REVISED BY: TERRY L. BROWN