

THIS DRAWING IS UNPUBLISHED. RELEASED FOR PUBLICATION 2010  
 © COPYRIGHT 2006 BY TYCO ELECTRONICS CORPORATION. ALL RIGHTS RESERVED.

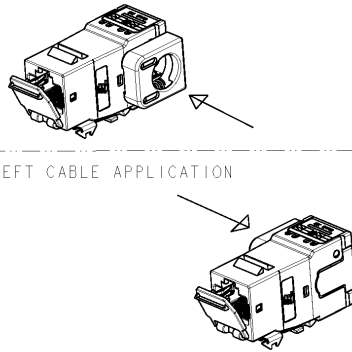
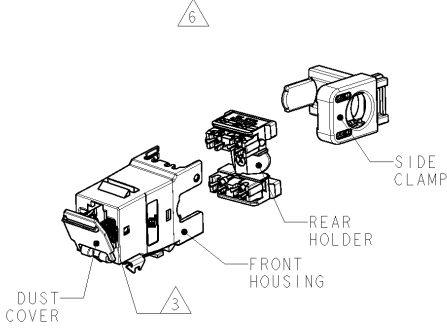
AS SHOWN	1711295-1
COMMENTS	PN

OPTIONS AFTER PRODUCT APPLICATION:

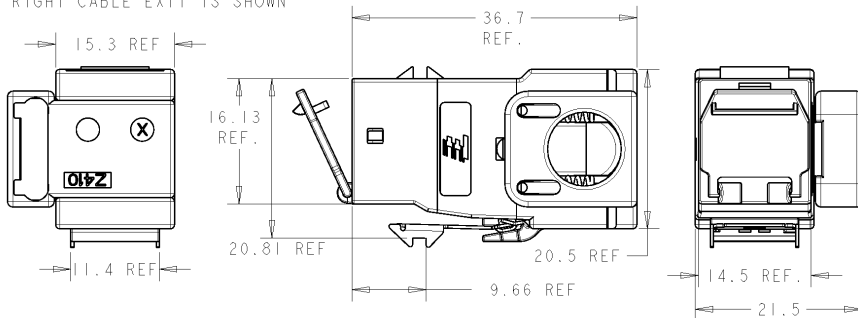
GENERAL VIEW: BEFORE TERMINATION

RIGHT CABLE APPLICATION

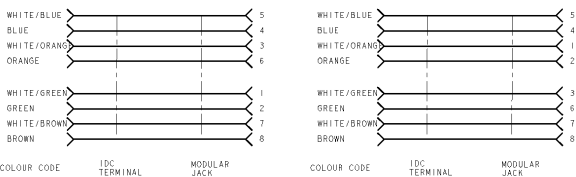
LEFT CABLE APPLICATION



RIGHT CABLE EXIT IS SHOWN



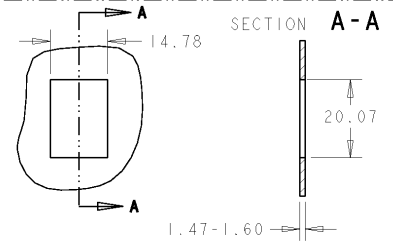
ELECTRICAL SCHEMATIC: WIRING T568 A/B



LOC	DIST	REVISIONS			
P	LTR	DESCRIPTION	DATE	DWN	APVD
1K	2	A	FIRST ISSUE	08NOV2006	ACG JS
		B	ECR-08-006695	13MAR2008	ACG JS
		BI	ADDED DASH 2	14NOV2008	ACG JS
		C	ECR-10-015378 (NEW HINGES AND COVER)	04AUG2010	ACG AP

1. MATERIAL:
- FRONT AND REAR HOUSING, CABLE CLAMP: ZAMAK 5, (Z410).
  - IDC CONNECT BLOCK, DUST COVER AND LACING FIXTURE: POLYCARBONATE NATURAL.
  - CUTTING BLADE, SPRING, LATCH AND SHIELD CONTACT POINT: STAINLESS STEEL.
  - JACK CONTACTS: BERYLLIUM COPPER, PLATED WITH 1.27  $\mu$ m MINIMUM THICK GOLD IN LOCALIZED AREA AND 3.81  $\mu$ m MINIMUM THICK MATTE TIN IN SOLDER AREA OVER 1.27  $\mu$ m MINIMUM THICK NICKEL UNDERPLATE.
  - IDC TERMINALS: PHOSPHOROUS BRONZE, PLATED WITH 3.81  $\mu$ m MINIMUM THICK BRIGHT MATTE TIN OVER 1.27 MINIMUM THICK NICKEL UNDERPLATE.
2. AMP-TWIST-6S SL JACK WILL TERMINATE:
- SOLID CONDUCTORS: 22-24 AWG.
  - STRANDED CONDUCTORS: 24-26 AWG.
  - MAX. INSULATION DIAMETER:  $\varnothing$ 1.60 mm.
  - MAX. CABLE JACKET:  $\varnothing$ 9.00 mm.
3. CAVITY ACCORDING TO IEC 60603-7-5 Ed. 1.0
4. MOUNTING PANEL THICKNESS 1.47-1.60 mm. (SEE SUGGESTED CUTOUT).
5. SUGGESTED CUTOUT OPENING.
6. PACKAGING: ACCORDING TO TE PACKAGING SPEC.: 107-93003.
7. REFER TO 411-93014 FOR TERMINATION INSTRUCTIONS USING SL SERIES TOOL TERMINATION: SL SERIES TOOL PN 1725150-3.
8. DIMENSIONS SHOWN ARE FOR REFERENCE ONLY.

SUGGESTED CUTOUT: SINGLE APPLICATION



OPTIMIZED FOR F/UTP CABLES	1711295-2
OPTIMIZED FOR S/FTP and F/FTP CABLES	1711295-1
NOTE	PN-DASH

THIS DRAWING IS A CONTROLLED DOCUMENT FOR TYCO ELECTRONICS CORPORATION. IT IS SUBJECT TO CHANGE AND THE CONTROLLING ENGINEERING ORGANIZATION SHOULD BE CONTACTED FOR THE LATEST REVISION.		DWN 08NOV2006 A. CARRERAS CHR 09NOV2006 J. SANABRA APVD 09NOV2006 I. SANABRA	Tyco Electronics Tyco Electronics AMP España, S.A. Barcelona, Spain.
DIMENSIONS: mm 	TOLERANCES UNLESS OTHERWISE SPECIFIED: 0 PLC $\pm$ 1 PLC $\pm$ 2 PLC $\pm$ 3 PLC $\pm$ 4 PLC $\pm$ ANGLES $\pm$	NAME PRODUCT SPEC 108-93003 APPLICATION SPEC 411-93014 WEIGHT CUSTOMER DRAWING	AMP-TWIST-6S SL JACK SIDE EXIT WITH DUST COVER SIZE A3 CAGE CODE 00779 DRAWING NO. C-1711295 RESTRICTED TO SCALE 1:1 SHEET 1 OF 1 REV C