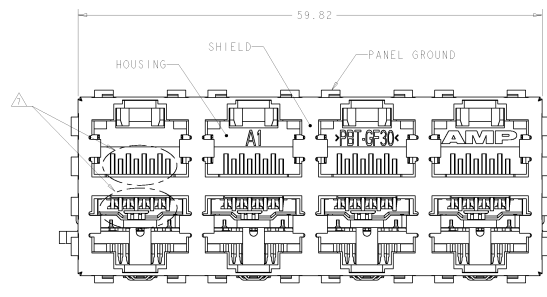


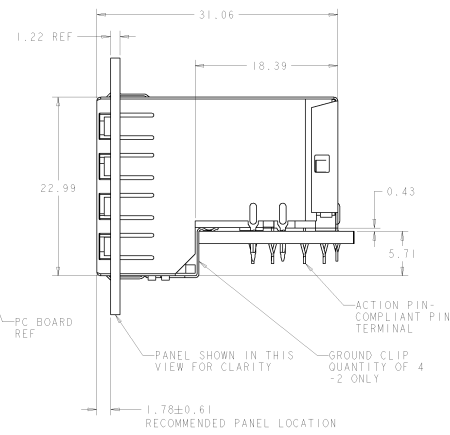
8	7	6	5	4	3	2	1
DATE MANUFACTURED	REVISIONS FOR IDENTIFICATION						
00	00						

REV	DATE	DESCRIPTION	BY	CHK	APP
A	00				
B		REV PER ECO-05-015400	INGERS	RS	MF
C		ECO-05-027808	ENIGRETT	LAW	JW

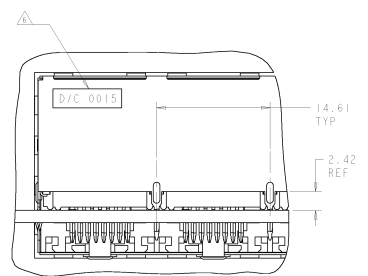
- MATERIAL:  
HOUSING  
PBT POLYESTER, BLACK, UL 94V-0.  
TERMINALS  
0.33 THICK PHOSPHOR BRONZE PLATED WITH 1.27µm MINIMUM THICK HARD GOLD IN LOCALIZED AREA AND 3.81µm MINIMUM THICK TIN-LEAD IN ACTION PIN COMPLIANT PIN TERMINAL AREA OVER 1.27µm MINIMUM THICK NICKEL UNDERPLATE.  
SHIELD  
0.25 THICK COPPER ALLOY PLATED WITH 2.03µm MIN BRIGHT TIN OVER 1.27µm MINIMUM NICKEL.
- JACK CAVITY CONFORMS TO FCC RULES AND REGULATIONS, PART 68 SUBPART F.
- ALL DIMENSIONS ARE NOMINAL UNLESS OTHERWISE SPECIFIED.  
 △ DRILLED HOLE DIA = 1.02±.025.  
 COPPER THICKNESS = 0.025-0.075.  
 TIN LEAD THICKNESS = 0.008 MIN.  
 △ DATUMS AND BASIC DIMENSIONS ESTABLISHED BY CUSTOMER.  
 △ DATE CODE LOCATED ON REAR OF PART APPROXIMATELY AS SHOWN.  
 △ CONTACTS ARE NOT INTENDED TO BE ALIGNED WITH EACH OTHER.



P/N 1368077-2 SHOWN



RECOMMENDED PANEL LOCATION

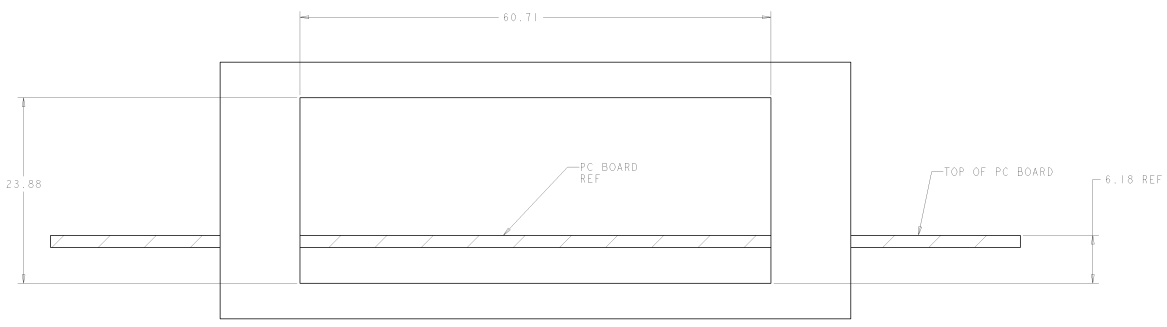


PARTIAL BACK VIEW

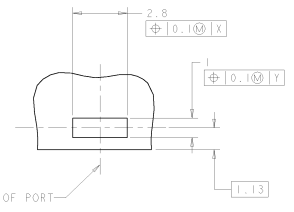
WITH GROUND CLIP	1368077-2
WITHOUT GROUND CLIP	1368077-1
DESCRIPTION	PART NUMBER

MATERIAL: PBT POLYESTER, BLACK, UL 94V-0 FINISH: 0.33 THICK PHOSPHOR BRONZE PLATED WITH 1.27µm MINIMUM THICK HARD GOLD IN LOCALIZED AREA AND 3.81µm MINIMUM THICK TIN-LEAD IN ACTION PIN COMPLIANT PIN TERMINAL AREA OVER 1.27µm MINIMUM THICK NICKEL UNDERPLATE. SHIELD: 0.25 THICK COPPER ALLOY PLATED WITH 2.03µm MIN BRIGHT TIN OVER 1.27µm MINIMUM NICKEL.		DATE CODE: D/C 0015 PART NUMBER: 1368077-2
MANUFACTURER: Tyco Electronics PART NUMBER: 1368077-2 DESCRIPTION: STACKED MODULAR JACK ASSEMBLY, 2X4 OFFSET, R POSN, BIAS SHIELDED PANEL GROUND, NO LEADS, CAT 5	DATE CODE: D/C 0015 PART NUMBER: 1368077-2	CUSTOMER DRAWING: 1368077-2

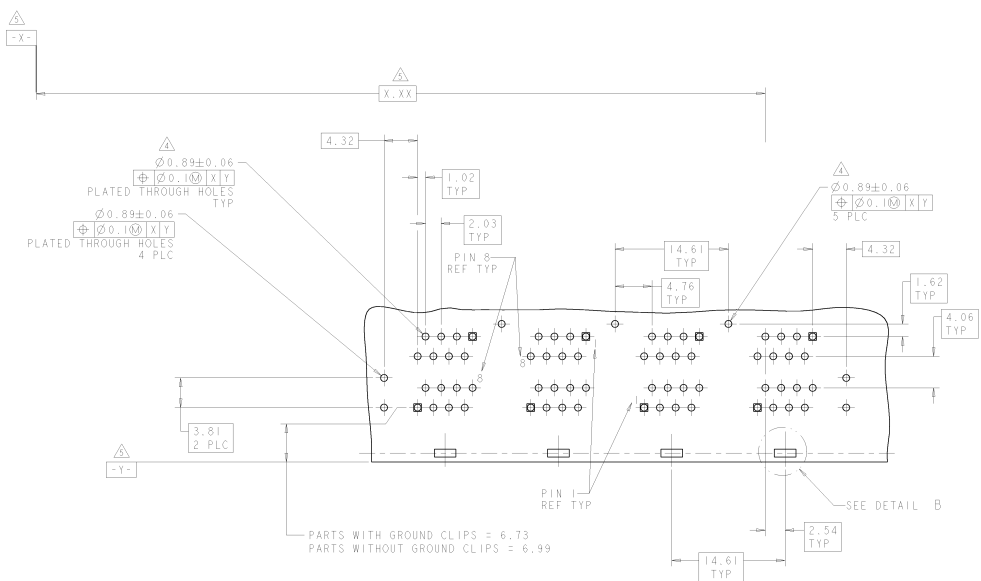
REV. NO.		REVISIONS	
NO.	DATE	DESCRIPTION	BY
AA	00	SEE SHEET 1	



RECOMMENDED PANEL CUT-OUT



DETAIL B  
 THESE PLATED PADS REQUIRED FOR 1368077-2  
 PRODUCT WITH GROUNDING CLIPS  
 SCALE 10:1  
 4 PLACES



PC BOARD LAYOUT  
 (COMPONENT SIDE)

CUSTOMER DRAWING		DATE		REV. NO.	
DATE	REV. NO.	DATE	REV. NO.	DATE	REV. NO.
08/15/2018	00				

CUSTOMER DRAWING		DATE		REV. NO.	
DATE	REV. NO.	DATE	REV. NO.	DATE	REV. NO.
08/15/2018	00				

CUSTOMER DRAWING		DATE		REV. NO.	
DATE	REV. NO.	DATE	REV. NO.	DATE	REV. NO.
08/15/2018	00				