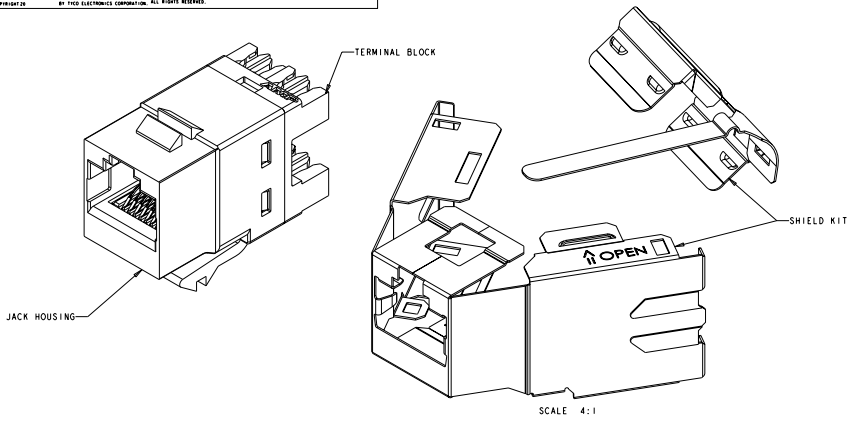
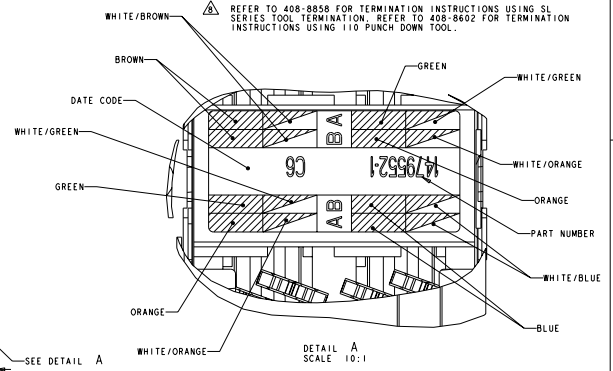
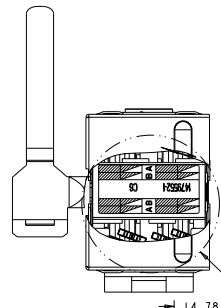
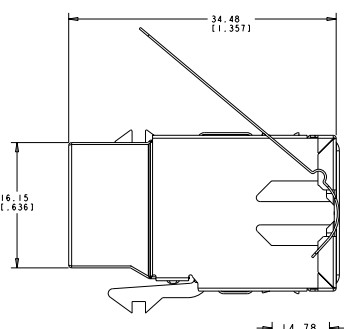
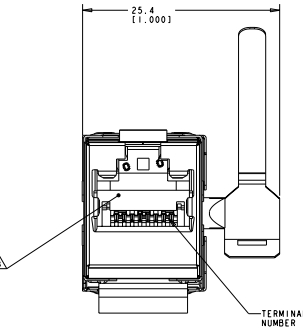


REV	DATE	DESCRIPTION	BY	CHK	APP
E	REV. ECO-07-015835				GG SA
F	REV. ECO-09-001942				ZWENNER JB SA



- △ MATERIAL: JACK HOUSING - POLYPHENYLENE OXIDE, 94V-0 RATED. 110 BLOCK - POLYCARBONATE. ARRAY TRAY - PBT POLYESTER. JACK CONTACTS ARRAY - BERYLLIUM COPPER, PLATED WITH 1.27µm (1.00005) MINIMUM THICK GOLD IN LOCALIZED AREA AND 3.81µm (1.00015) MINIMUM THICK MATTE TIN IN BOARD INTERFACE AREA OVER 1.27µm (1.00005) MINIMUM THICK NICKEL UNDERPLATE. IDC TERMINALS - PHOSPHOROUS BRONZE, PLATED WITH 1.27µm (1.00015) MINIMUM THICK MATTE TIN OVER 3.81µm (1.00015) MINIMUM THICK NICKEL UNDERPLATE. SHIELD: COPPER ZINC ALLOY 260 PREPLATED WITH BRIGHT NICKEL.
- 2. SL 110 JACK WILL TERMINATE 22-24 AWG SOLID AND 24-26 AWG STRANDED CONDUCTORS, 1.27 (1.05) MAXIMUM INSULATION DIAMETER. JACK WILL ACCEPT CONDUCTORS UP TO 1.45 (1.05) BUT REQUIRE THE USE OF A STRAIN RELIEF.
- △ CAVITY CONFORMS TO FCC RULES AND REGULATIONS PART 68 SUBPART F REQUIREMENTS.
- 4. MOUNTING PANEL THICKNESS 1.47 - 1.60 (1.058 - .063).
- △ THESE TWO SUGGESTED CUTOUP OPENINGS ARE USED IN TANDEM WITH DUAL FRONT AND BACK CUTOUPS.
- △ ONE MODULAR JACK ASSEMBLY AND ONE SHIELD KIT PER POLYBAG.
- 7. SHIELD SHIPPED NOT ASSEMBLED.
- △ REFER TO 408-8858 FOR TERMINATION INSTRUCTIONS USING SL SERIES TOOL TERMINATION. REFER TO 408-8602 FOR TERMINATION INSTRUCTIONS USING 110 PUNCH DOWN TOOL.

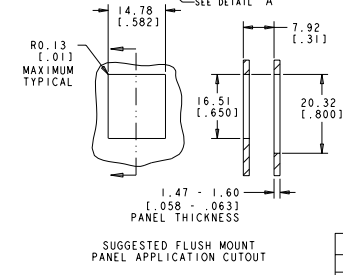
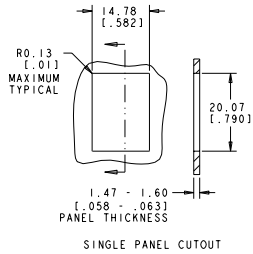


ELECTRICAL SCHEMATIC T568A

COLOR CODE	IDC TERMINAL	MODULAR JACK	PAIR
WHITE/BLUE	1	5	1-2
BLUE	2	4	3-6
WHITE/ORANGE	3	3	1-2
ORANGE	4	2	3-6
WHITE/GREEN	5	1	1-2
GREEN	6	2	3-6
WHITE/BROWN	7	7	1-2
BROWN	8	8	3-6

ELECTRICAL SCHEMATIC T568B

COLOR CODE	IDC TERMINAL	MODULAR JACK	PAIR
WHITE/BLUE	1	5	1-2
BLUE	2	4	3-6
WHITE/ORANGE	3	1	1-2
ORANGE	4	2	3-6
WHITE/GREEN	5	3	1-2
GREEN	6	6	3-6
WHITE/BROWN	7	7	1-2
BROWN	8	8	3-6



△	BLACK PACKAGE HOUSING COLOR	1479552-1	PART NUMBER
---	-----------------------------	-----------	-------------

DRAWN BY: J. GARRETT CHECKED BY: J. GARRETT DATE: 08/08/04 SCALE: 1:1 MATERIAL: POLYMER	DESIGNED BY: J. GARRETT CHECKED BY: J. GARRETT DATE: 08/08/04 SCALE: 1:1 MATERIAL: POLYMER	TYPED BY: J. GARRETT CHECKED BY: J. GARRETT DATE: 08/08/04 SCALE: 1:1 MATERIAL: POLYMER	APPROVED BY: J. GARRETT DATE: 08/08/04 SCALE: 1:1 MATERIAL: POLYMER	TITLE: ASSEMBLY, SL 110 JACK, SHIELDED, CATEGORY 6, SIDE ENTRY STATE: CA COUNTY: 00778 ZIP: 9479552	CUSTOMER DRAWING SHEET: 1 OF 1 SCALE: 1:1
---	--	---	--	--	---