

4

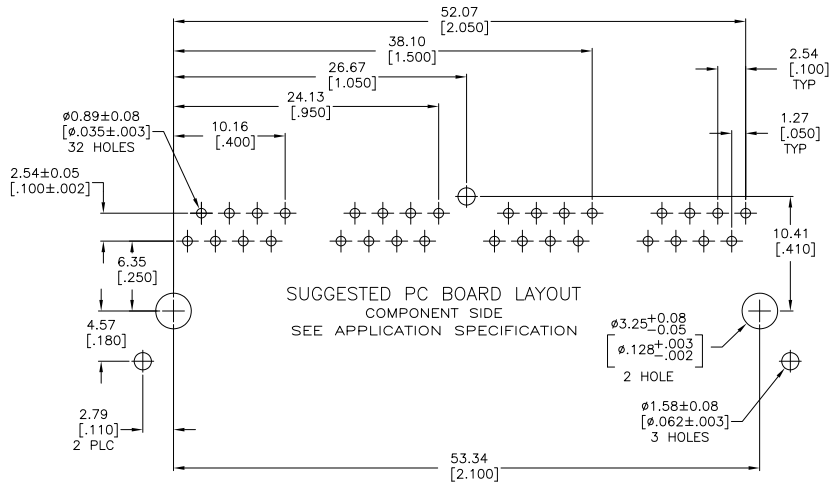
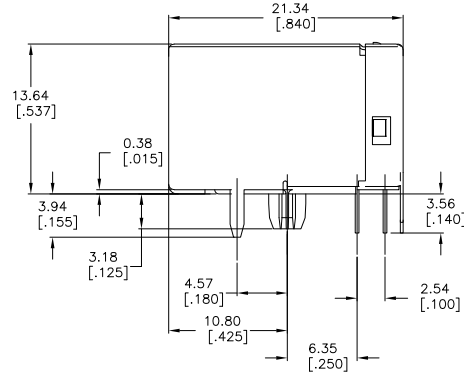
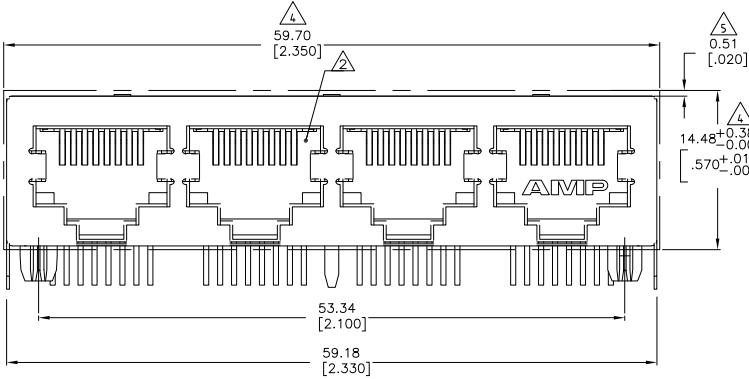
3

2

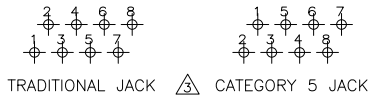
1

THIS DRAWING IS UNPUBLISHED. RELEASED FOR PUBLICATION. BY TYCO ELECTRONICS CORPORATION. ALL RIGHTS RESERVED.

LOC	DIST	REVISIONS		
F	LNK	DESCRIPTION	DATE	BY
AA	00			
	C1	REVISED EDR-08-031628	04DEC08	AZ SY



SUGGESTED PC BOARD LAYOUT
COMPONENT SIDE
SEE APPLICATION SPECIFICATION



TRADITIONAL JACK CATEGORY 5 JACK

- MATERIAL: HOUSING— HIGH TEMPERATURE NYLON, BLACK, IR COMPATIBLE, UL 94V-0.
TERMINALS - 0.33[.013] THICK PHOS BRONZE PLATED WITH 1.27um[.000050] MINIMUM HARD GOLD IN LOCALIZED AREA AND 3.81um[.000150] MINIMUM TIN IN SOLDER AREA OVER 1.27um[.000050] MINIMUM NICKEL UNDERPLATE
SHIELDS - 0.25 [.010] THICK COPPER ALLOY PLATED WITH 1.27 um [.000050] MINIMUM NICKEL AND 2.03 um [.000080] MINIMUM HOT TIN DIP ON PCB GROUND TABS.
- △ JACK CAVITY CONFORMS TO FCC RULES AND REGULATIONS, PART 68 SUBPART F.
 - △ CAUTION: CATEGORY 5 JACK SOLDER TAIL POSITIONS DO NOT FOLLOW SAME NUMBER SEQUENCE AS THAT OF THE TRADITIONAL JACKS.
 - △ SUGGESTED PANEL OPENING DIMENSIONS
 - △ SUGGESTED CLEARANCE BETWEEN TOP OF CONNECTOR AND TOP PANEL OPENING

5558503-1
PART NUMBER

THIS DRAWING IS A CONTROLLED DOCUMENT.		DRN W. LONG/A. MAYER 04NOV2008	Tyco Electronics Corporation Harrisburg, PA 17105-3608	
DIMENSIONS: mm [INCHES]		CHK J. WESTMAN 04NOV2008	Tyco Electronics Corporation	
TOLERANCES UNLESS OTHERWISE SPECIFIED:		APP. S. ELCKINGER 04NOV2008	NAME	
0 PLC	±	PRODUCT SPEC		
1 PLC	±	108-1163-2		
2 PLC	± 0.25 (.010)	APPLICATION SPEC		
3 PLC	±	114-2048		
4 PLC	±	SIZE (CASE CODE) (DRAWING ID)		
ANGLES	±	WEIGHT		
MATERIAL	SEE NOTE 1	CUSTOMER DRAWING		
FINISH	SEE NOTE 1	SIZE (CASE CODE) (DRAWING ID)		
		A2 00779 C=5558503		
		RESTRICTED TO		
		SCALE: 4:1 SHEET 1 of 1 REV C1		

AMP 1471-9 REV 31MMR2000

5558503

A

B

C

D

A

B

C

D

A

B

C

D

A

B

C

D