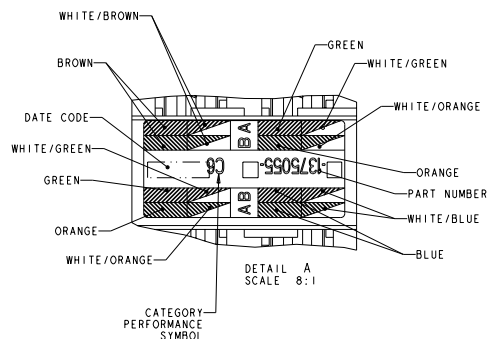
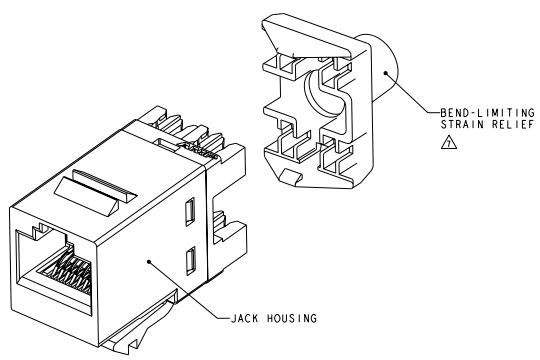
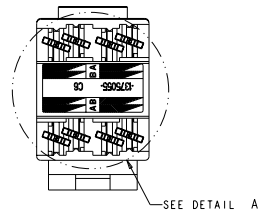
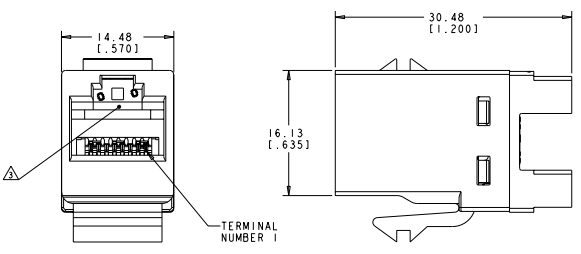


REV	DATE	DESCRIPTION	BY	CHKD
K	REV: ECO-09-05090		PHENIX	GG SA
L	ADD 1-3, 3-3; REV ECO-10-004736		PHENIX	LM SA
M	REV: ECO-10-020475		PHENIX	GG SA

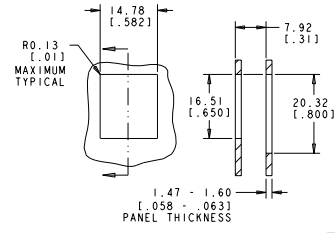
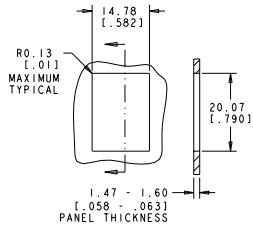


- △ MATERIAL: JACK HOUSING - POLYCARBONATE, 94V-0 RATED. 110 BLOCK AND BEND LIMITING STRAIN RELIEF - POLYCARBONATE. ARRAY TRAY - PBT POLYESTER.
- JACK CONTACTS ARRAY - BERYLLIUM COPPER, PLATED WITH 1.27µm (1.00005) MINIMUM THICK GOLD IN LOCALIZED AREA AND 3.81µm (1.000150) MINIMUM THICK MATTE TIN IN BOARD INTERFACE AREA OVER 1.27µm (1.00005) MINIMUM THICK NICKEL UNDERPLATE.
- IDC TERMINALS - PHOSPHOROUS BRONZE, PLATED WITH 3.81µm (1.00015) MINIMUM THICK MATTE TIN OVER 1.27µm (1.00005) MINIMUM THICK NICKEL UNDERPLATE.
- 2. SL 110 JACK WILL TERMINATE 22-24 AWG SOLID AND 24-26 AWG STRANDED CONDUCTORS. 1.25 (0.50) MAXIMUM INSULATION DIAMETER. JACK WILL ACCEPT CONDUCTORS UP TO 1.45 (.051) BUT REQUIRE THE USE OF A STRAIN RELIEF.
- △ CAVITY CONFORMS TO FCC RULES AND REGULATIONS) PART 68 SUBPART F REQUIREMENTS.
- 4. MOUNTING PANEL THICKNESS 1.47 - 1.60 (.058 - .063).
- △ THESE TWO SUGGESTED CUTOUT OPENINGS ARE USED IN TANDEM WITH DUAL FRONT AND BACK CUTOUTS.
- △ ONE MODULAR JACK ASSEMBLY PER POLYBAG.
- △ USE IS OPTIONAL.
- △ TWENTY FIVE MODULAR JACKS PER POLYBAG.
- △ REFER TO 408-8858 FOR TERMINATION INSTRUCTIONS USING SL SERIES TOOL. TERMINATION, REFER TO 408-8417 FOR TERMINATION INSTRUCTIONS USING 110 PUNCH DOWN TOOL.



COLOR CODE	IDC TERMINAL	MODULAR JACK
WHITE/BLUE	1	5
BLUE	2	4
WHITE/ORANGE	3	3
ORANGE	4	6
WHITE/GREEN	5	1
GREEN	6	2
WHITE/BROWN	7	7
BROWN	8	8

ELECTRICAL SCHEMATIC T568A



PACKAGE HOUSING COLOR	PART NUMBER
ALPINE WHITE	3-1375055-3
ELECTRIC IVORY	3-1375055-1
VIOLET	3-1375055-0
GREEN	2-1375055-9
YELLOW	2-1375055-8
RED	2-1375055-7
BLUE	2-1375055-6
ORANGE	2-1375055-5
NEMA GRAY	2-1375055-4
WHITE	2-1375055-3
BLACK	2-1375055-2
LIGHT ALMOND	2-1375055-1
ALPINE WHITE	1-1375055-3
ELECTRIC IVORY	1-1375055-1
VIOLET	1-1375055-0
GREEN	1375055-9
YELLOW	1375055-8
RED	1375055-7
BLUE	1375055-6
ORANGE	1375055-5
NEMA GRAY	1375055-4
WHITE	1375055-3
BLACK	1375055-2
LIGHT ALMOND	1375055-1

DATE: 10/01/2001
 BY: PHENIX
 TITLE: ASSEMBLY, SL 110 JACK, CAT 6
 PART NUMBER: 00778 ©-1375055
 CUSTOMER DRAWING