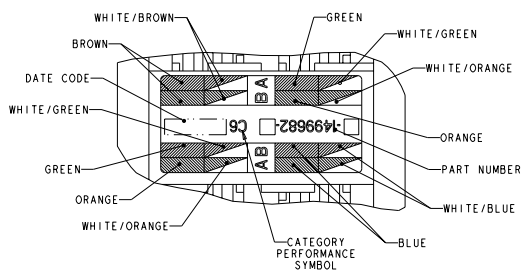
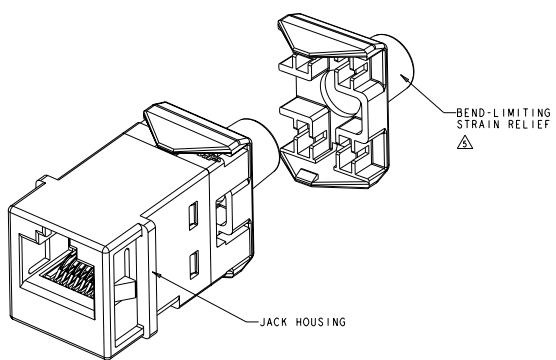
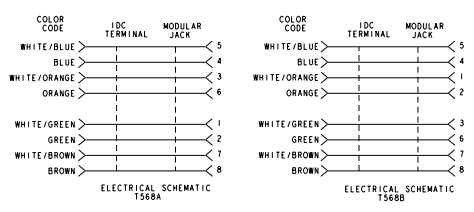
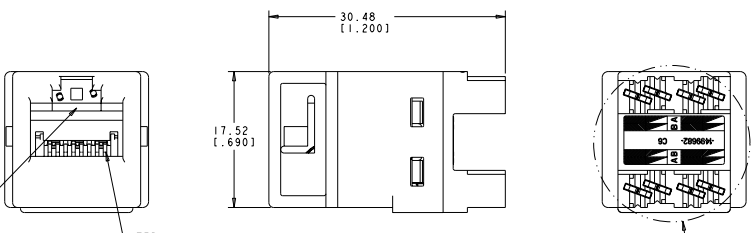


REV	DATE	DESCRIPTION	BY	CHK	APP
A	NS005-092		ZP80000	JM	PP
B	REV: ECO-06-024911		ZP00000	GG	BM
C	REV: ECO-09-001942		ZP80000	JB	SA



DETAIL A  
SCALE 8:1

- ▲ MATERIAL: JACK HOUSING - POLYPHENYLENE OXIDE, 94V-0 RATED, 110 BLOCK AND BEND LIMITING STRAIN RELIEF - POLYCARBONATE, ARRAY TRAY - PET POLYESTER.
- JACK CONTACTS ARRAY - BERYLLIUM COPPER, PLATED WITH 1.27µm (.00050) MINIMUM THICK GOLD IN LOCALIZED AREA AND 3.81µm (.000150) MINIMUM THICK MATTE TIN IN BOARD INTERFACE AREA OVER 1.27µm (.00050) MINIMUM THICK NICKEL UNDERPLATE.
- IDC TERMINALS - PHOSPHOROUS BRONZE, PLATED WITH 3.81µm (.00050) MINIMUM THICK MATTE TIN OVER 1.27µm (.00050) MINIMUM THICK NICKEL UNDERPLATE.
- 2. KLS JACK WILL TERMINATE 22-24 AWG SOLID CONDUCTORS, 1.27(.050) MAXIMUM INSULATION DIAMETER. JACK WILL ACCEPT CONDUCTORS UP TO 1.45 (.057) BUT REQUIRE THE USE OF A STRAIN RELIEF.
- ▲ CAVITY CONFORMS TO FCC RULES AND REGULATIONS PART 68 SUBPART F REQUIREMENTS.
- ▲ ONE MODULAR JACK ASSEMBLY PER POLYBAG.
- ▲ USE IS OPTIONAL.
- ▲ REFER TO 408-8858 FOR TERMINATION INSTRUCTIONS USING SL SERIES TOOL TERMINATION. REFER TO 408-8417 FOR TERMINATION INSTRUCTIONS USING 110 PUNCH DOWN TOOL.



PACKAGE	HOUSING COLOR	PART NUMBER
	ELECTRIC IVORY	1499682-1
	VIOLET	1499682-0
	GREEN	1499682-9
	YELLOW	1499682-8
	RED	1499682-7
	BLUE	1499682-6
	ORANGE	1499682-5
	NEWM GRAY	1499682-4
	WHITE	1499682-3
	BLACK	1499682-2
	LIGHT ALMOND	1499682-1

STANDARD MIL (Inches)	ASSEMBLY, CAT 6, UTP, KLS SERIES
DATE 24 FEB 2006	REV 24 FEB 2006
STATE PA	ZIP CODE 17145
MANUFACTURER STMicroelectronics	MANUFACTURER PART NUMBER 1499682
QUANTITY 1	CUSTOMER DRAWING