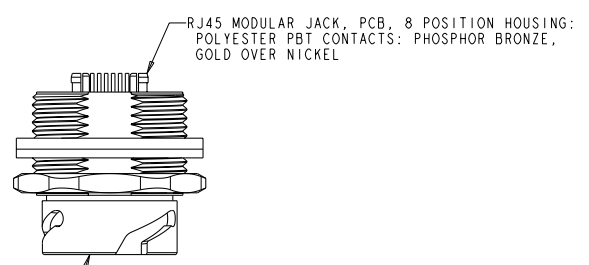
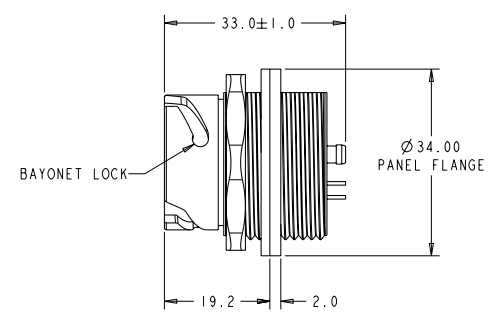
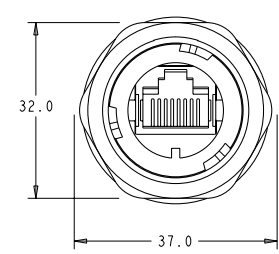
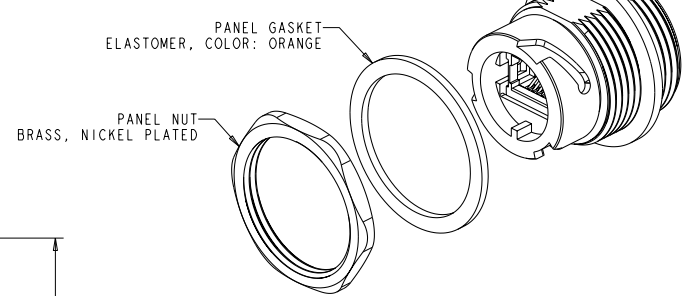


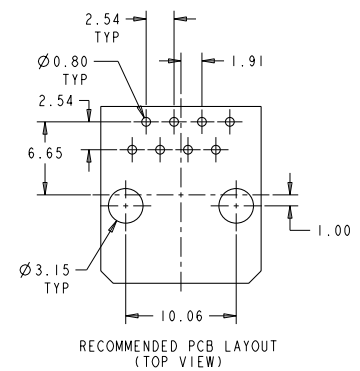
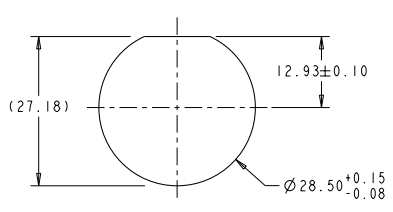
REVOLUTIONS		DESCRIPTION	DATE	BY	APP'D
P	LTA				
A4		REVISED PER ECO-10-010037	12MAY10	JR	SM



RECEPTACLE HOUSING  
POLYESTER, COLOR: BLACK



- △ CONNECTOR MAY BE FRONT OR REAR MOUNTED TO A MAXIMUM PANEL THICKNESS OF 3.2 mm.
- 2. PANEL NUT AND PANEL GASKET ARE PACKAGED ASSEMBLED IN POLYBAG.
- 3. PCB THICKNESS 1.6mm.



1776900-1  
PART NUMBER

DIMENSIONS: mm 		TO: S. WELDON D. COURS D. COURS D. COURS PRODUCT SPEC 108-2198 APPLICATION SPEC 114-13136	DATE: 27SEP2006 CASE CODE: A2 DRAWING NO: 1776900	Tyco Electronics Harrisburg, PA 17105-3608
MATERIAL: - FINISH: -		WEIGHT: - CUSTOMER DRAWING	SCALE: 2:1 SHEET 1 OF 1 REV A.4	RESTRICTED TO: -