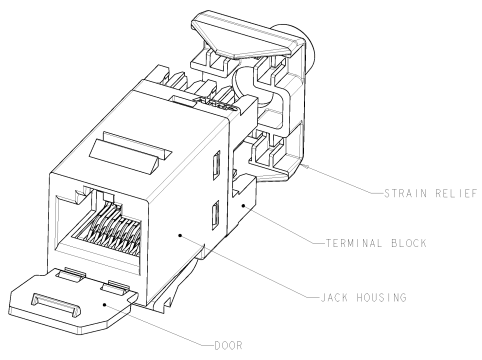
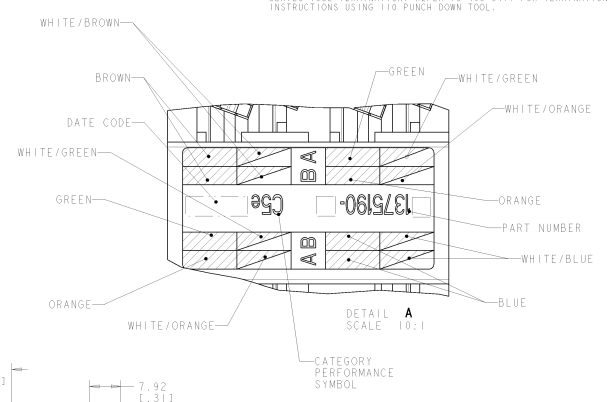
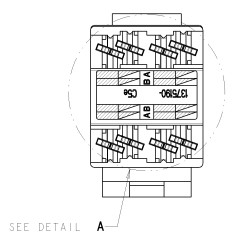
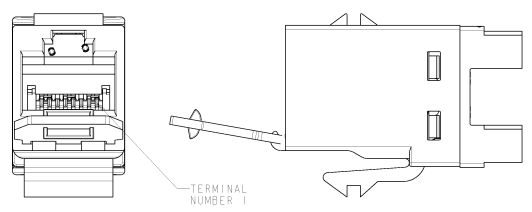


8	7	6	5	4	3	2	1
DATE SHOWN TO SUBSCRIBER	REVISED FOR PUBLICATION						
BY: [signature]	BY: [signature]						

REV	DATE	DESCRIPTION	BY	CHK	APP
00					
E	REV: E00-04-000000		ELCOSHAW	GG	BM
F	REV: E00-01-015835		ELCOSHAW	GG	SA
G	REV: E00-04-000000		ELCOSHAW	GG	SA
H	ADD 1-3, REV: E00-10-004736		ELCOSHAW	LN	SA

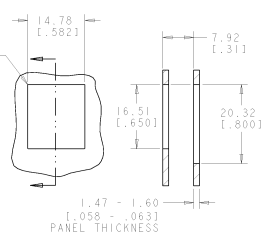
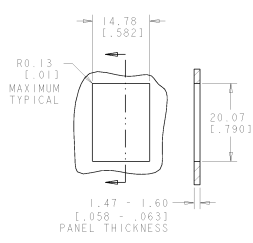


- △ MATERIAL: JACK HOUSING - POLYPHENYLENE OXIDE, 94V-0 RATED, 110 BLOCK, STRAIN RELIEF AND DOOR - POLYCARBONATE, ARRAY TRAY - PBT POLYESTER.
- △ JACK CONTACTS ARRAY - BERYLLIUM COPPER, PLATED WITH 1.27µm (.000050) MINIMUM THICK GOLD IN LOCALIZED AREA AND 3.81µm (.000150) MINIMUM THICK MATTE TIN IN BOARD INTERFACE AREA OVER 1.27µm (.000050) MINIMUM THICK NICKEL UNDERPLATE.
- △ IDC TERMINALS - PHOSPHOROUS BRONZE, PLATED WITH 3.81µm (.000150) MINIMUM THICK MATTE TIN OVER 1.27µm (.000050) MINIMUM THICK NICKEL UNDERPLATE.
- 2. SL 110 JACK WILL TERMINATE 22-24 AWG SOLID AND 24-26 AWG STRANDED CONDUCTORS, 1.27(.050) MAXIMUM INSULATION DIAMETER. JACK WILL ACCEPT CONDUCTORS UP TO 1.45 (.057) BUT REQUIRE THE USE OF A STRAIN RELIEF.
- △ CAVITY CONFORMS TO FCC RULES AND REGULATIONS PART 68 SUBPART F REQUIREMENTS.
- 4. MOUNTING PANEL THICKNESS 1.47 - 1.60 [.058 - .063].
- △ THESE TWO SUGGESTED CUTOUT OPENINGS ARE USED IN TANDEM WITH DUAL FRONT AND BACK CUTOUPS.
- △ ONE MODULAR JACK ASSEMBLY AND ONE SHIELD
- △ USE OF BEND LIMITING STRAIN RELIEF IS OPTIONAL.
- △ REFER TO 408-8858 FOR TERMINATION INSTRUCTIONS USING SL SERIES TOOL TERMINATION. REFER TO 408-8417 FOR TERMINATION INSTRUCTIONS USING 110 PUNCH DOWN TOOL.



COLOR CODE	IDC TERMINAL	MODULAR JACK
WHITE/BLUE	5	5
BLUE	4	4
WHITE/ORANGE	3	3
ORANGE	2	2
WHITE/GREEN	1	1
GREEN	2	2
WHITE/BROWN	7	7
BROWN	8	8

ELECTRICAL SCHEMATIC T568A



ALPINE WHITE	1-1375190-3
ELECTRIC IVORY	1-1375190-1
VIOLET	1-1375190-0
GREEN	1375190-9
YELLOW	1375190-8
RED	1375190-7
BLUE	1375190-6
ORANGE	1375190-5
NEMA GRAY	1375190-4
WHITE	1375190-3
BLACK	1375190-2
LIGHT ALUMINO	1375190-1

SYMBOLS	UNLESS OTHERWISE SPECIFIED	DATE	05/09/01	Yoco Electronics
DESCRIPTION	WHI110J54SL	REV	ASSEMBLY, SL 110 JACK, DUSTCOVER, CATEGORY 54	DATE
DESIGNED BY	ELCOSHAW	DATE	108-1980-2	REV
CHECKED BY	ELCOSHAW	DATE	108-1980-2	REV
APPROVED BY	ELCOSHAW	DATE	108-1980-2	REV
MATERIAL		SCALE	ASSEMBLY	REV
		REV	00175	REV
		REV	1375190	REV
		REV		REV