

4

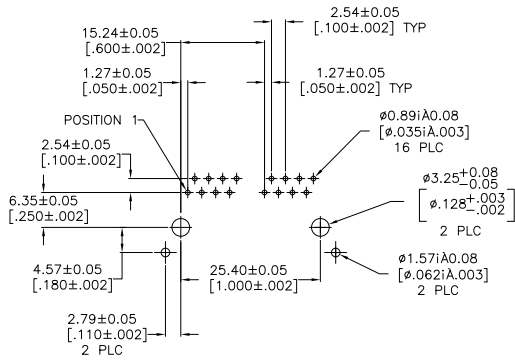
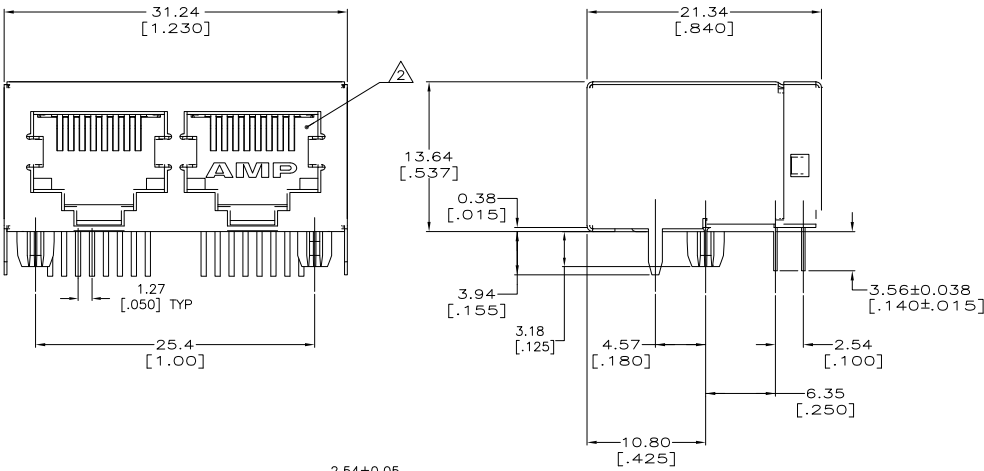
3

2

1

THIS DRAWING IS UNPUBLISHED. RELEASED FOR PUBLICATION  
 © COPYRIGHT - By - ALL RIGHTS RESERVED.

| LOC | DIST | REVISIONS                 |         |        |
|-----|------|---------------------------|---------|--------|
| F   | LNK  | DESCRIPTION               | DATE    | BYN    |
| AA  | 00   |                           |         |        |
|     | D1   | REVISED PER ECO-11-005033 | 26MAR11 | RK HMR |



RECOMMENDED PC BOARD LAYOUT  
 COMPONENT SIDE  
 SEE APPLICATION SPECIFICATION

- ⚠ MATERIAL:  
 HOUSING - NYLON, COLOR: BLACK, UL 94V-0.  
 OVERMOLDED TERMINAL ARRAY - PBT, BROWN.  
 TERMINAL - 0.33[.013] THICK PHOS-BRONZE PLATED WITH 1.27µm[.000050] THICK HARD GOLD IN LOCALIZED GOLD PLATE AREA AND 3.81µm[.000150] THICK MATTE TIN IN SOLDER AREA OVER 1.27µm[.000050] THICK NICKEL UNDERPLATE.  
 SHIELDS - 0.25 [.010] THICK COPPER ALLOY PLATED WITH 1.27 µm [.000050] MINIMUM NICKEL AND 2.03 µm [.000080] MINIMUM HOT TIN DIP ON PCB GROUND TABS.
- ⚠ JACK CAVITY CONFORMS TO FCC RULES AND REGULATIONS PART 68, SUBPART F.
- ⚠ MATERIAL:  
 HOUSING - NYLON, COLOR: BLACK, UL 94V-0.  
 OVERMOLDED TERMINAL ARRAY - HTN.  
 TERMINAL - 0.33[.013] THICK PHOS-BRONZE PLATED WITH 1.27µm[.000050] THICK HARD GOLD IN LOCALIZED GOLD PLATE AREA AND 3.81 µm [.000150] THICK MATTE TIN IN SOLDER AREA OVER 1.27 µm [.000050] THICK NICKEL UNDERPLATE.  
 SHIELDS - 0.25 [.010] THICK COPPER ALLOY PLATED WITH 1.27 µm [.000050] MINIMUM NICKEL AND 2.03 µm [.000080] MINIMUM HOT TIN DIP ON PCB GROUND TABS.

|                      |
|----------------------|
| 5406443-2            |
| 5406443-1            |
| MATERIAL PART NUMBER |

|  |  |   |                              |   |                              |
|--|--|---|------------------------------|---|------------------------------|
| THIS DRAWING IS A CONTROLLED DOCUMENT. |  | DRN<br>DL DRUMMOND/A MASTER<br>CHK<br>WESTMAN | 10MAY2005<br>10MAY2005       | TE Connectivity   |                              |
| DIMENSIONS:<br>mm                      |  | APPROVED<br>S. ELKINGER                       | NAME<br>WESTMAN              | MODULAR JACK ASSEMBLY,<br>2 PORT, 8 POSITION, CATEGORY 5,<br>STD PIN OUT, RIGHT ANGLE, SHIELDED |                              |
| TOLERANCES UNLESS OTHERWISE SPECIFIED: |  | PRODUCT SPEC<br>108-1163-2                    | APPLICATION SPEC<br>114-2048 | SIZE<br>A2  | ONE CASE DRAWING NO<br>00779 |
| MATERIAL<br>SEE NOTE 1                 |  | FINISH<br>SEE NOTE 1                          | WEIGHT<br>-                  | RESTRICTED TO<br>-  | C=5406443                    |
| CUSTOMER DRAWING                       |  | SCALE<br>4:1                                  | SHEET<br>1 of 1              | REV<br>D1   |                              |

1471-9 (3/11)

5406443

A