

4

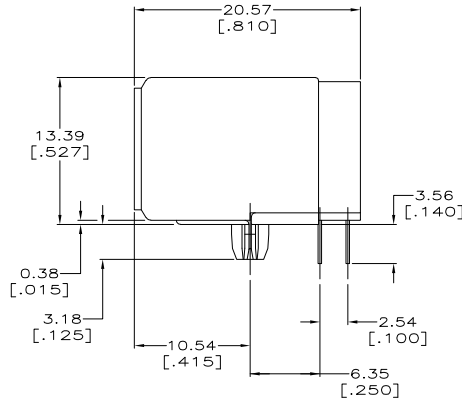
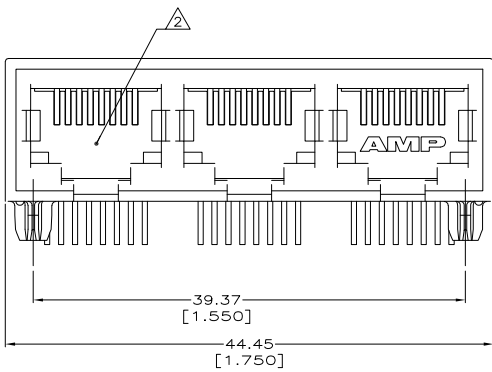
3

2

1

THIS DRAWING IS UNPUBLISHED. RELEASED FOR PUBLICATION
 © COPYRIGHT BY TYCO ELECTRONICS CORPORATION. ALL RIGHTS RESERVED.

LOC	DIST	REVISIONS				
AA	22	F LTR	DESCRIPTION	DATE	BY	APP
		A	REV PER EC 0511-0201-04	06JUN2005	LV	SF



△ MATERIAL: HOUSING - PCT POLYESTER, BLACK, IR COMPATIBLE, UL 94V-0. TERMINALS - 0.33[.013] THICK PHOSPHOR BRONZE PLATED WITH 1.27μm[.000050] MINIMUM THICK HARD GOLD ON LOCALIZED AREA AND 3.81μm[.000150] MINIMUM THICK MATTE TIN IN SOLDER AREA OVER 1.27μm[.000050] MINIMUM THICK NICKEL UNDERPLATE.

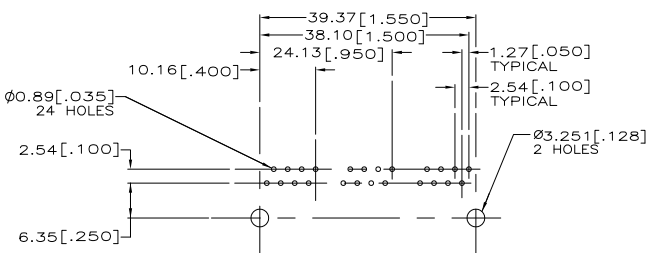
△ JACK CAVITY CONFORMS TO FCC RULES AND REGULATIONS, PART 68 SUBPART F.

3. ALL DIMENSIONS ARE NOMINAL UNLESS OTHERWISE SPECIFIED.

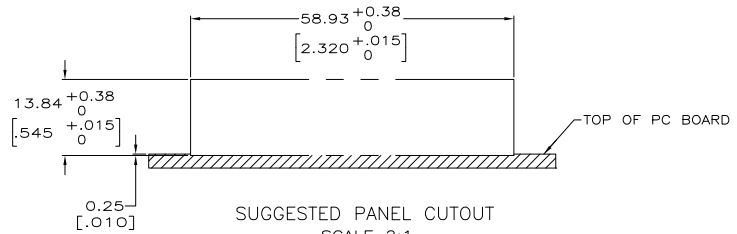
△ CAUTION: CATEGORY 5 JACK SOLDERTAIL POSITIONS DO NOT FOLLOW SAME NUMBER SEQUENCE AS THAT OF THE TRADITIONAL JACKS.



TRADITIONAL JACK CATEGORY 5 JACK



SUGGESTED PC BOARD LAYOUT (COMPONENT SIDE)
 SEE APPLICATION SPECIFICATION
 SCALE 2:1



SUGGESTED PANEL CUTOUT
 SCALE 2:1

5569350-1
 PART NUMBER

THIS DRAWING IS A CONTROLLED DOCUMENT.		DRN L. VARELA - 06JUN2005	DOCKS	5569350-1	5569350
DIMENSIONS: mm [INCHES]		CHK J. WESTMAN	06JUN2005	Tyco Electronics Corporation Harrisburg, Pa 17105-3608	
TOLERANCES UNLESS OTHERWISE SPECIFIED:		APPRO S. FULKINGER	06JUN2005	MODULAR JACK ASSEMBLY, 3 PORT, 8 POSITION, RIGHT ANGLE, CATEGORY 5	
0 PLG	±	PRODUCT SPEC	108-1392	RESTRICTED TO	
1 PLG	±	APPLICATION SPEC	114-2048	-	
2 PLG	± 0.25[01]	WEIGHT	-	-	
3 PLG	± 0.13[005]	CUSTOMER DRAWING	-	-	
4 PLG	±	SIZE	A2	CAGE CODE	00779
ANGLES	±	DRAWING NO	C-5569350	SCALE 1:1 SHEET 1 OF 1 REV A	
FINISH	△				