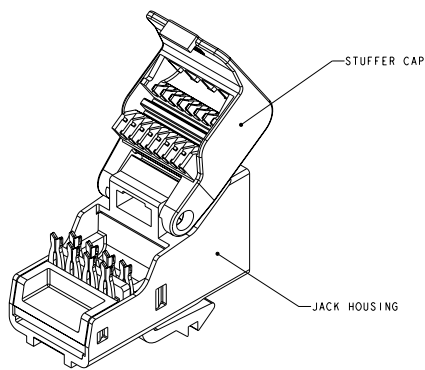
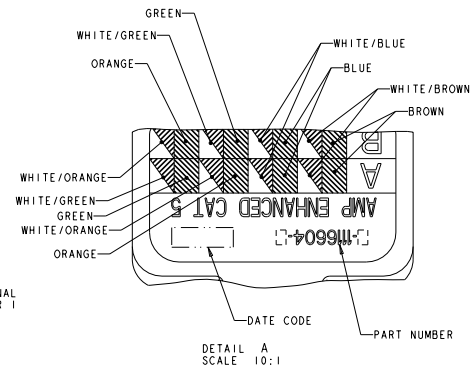
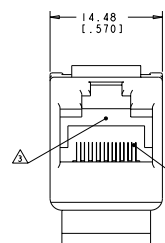
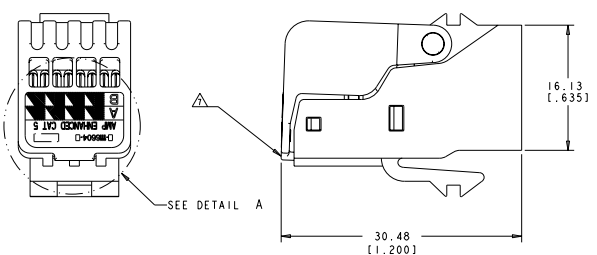


REV	DATE	DESCRIPTION	BY	CHK	APP
D	REV: EC 0840-0259-01		BLUMBERG	TLP	CO
E	ECO-98-918706		BLUMBERG	JM	BM
F	REV: ECO-98-931883		BLUMBERG	GG	SA



OPEN POSITION



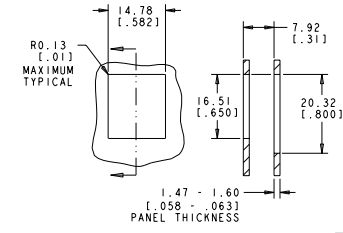
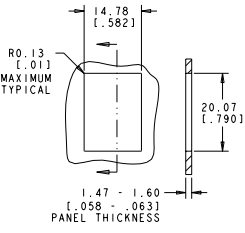
- △ MATERIAL: JACK HOUSING - POLYPHENYLENE OXIDE, 94V-0 RATED. TERMINAL BLOCK - POLYPHENYLENE OXIDE, 94V-0 RATED. STUFFER CAP - POLYCARBONATE, CLEAR, 94V-0 RATED. JACK CONTACTS - PHOSPHOROUS BRONZE, PLATED WITH 1.27um (.000050) MINIMUM THICK GOLD IN LOCALIZED AREA AND 3.81um (.000150) MINIMUM THICK MATTE TIN IN SOLDER AREA OVER 1.27um (.000050) MINIMUM THICK NICKEL UNDERPLATE.
- 2. TOOLLESS WILL TERMINATE 22-24 AWG SOLID CONDUCTORS AND 24 AWG STRANDED CONDUCTORS, 1.14 (.045) MAXIMUM INSULATION DIAMETER.
- △ CAVITY CONFORMS TO FCC RULES AND REGULATIONS) PART 68 SUBPART F REQUIREMENTS.
- 4. MOUNTING PANEL THICKNESS 1.473 - 1.600 [.058 - .063].
- △ THESE TWO SUGGESTED CUTOUT OPENINGS ARE USED IN TANDEM WITH DUAL FRONT AND BACK CUTOUTS.
- △ ONE MODULAR JACK ASSEMBLY PER POLYBAG.
- △ ASSEMBLY SHIPPED WITH STUFFER CAP NOT LATCHED AT REAR OF HOUSING AS SHOWN.

COLOR CODE	IDC TERMINAL	MODULAR JACK	
WHITE/BLUE	1	5	
BLUE	2	4	
WHITE/ORANGE	3	3	
ORANGE	4	2	
WHITE/GREEN	5	1	
GREEN	6	6	
WHITE/BROWN	7	7	
BROWN	8	8	

ELECTRICAL SCHEMATIC T568A

COLOR CODE	IDC TERMINAL	MODULAR JACK	
WHITE/BLUE	1	5	
BLUE	2	4	
WHITE/ORANGE	3	3	
ORANGE	4	2	
WHITE/GREEN	5	1	
GREEN	6	6	
WHITE/BROWN	7	7	
BROWN	8	8	

ELECTRICAL SCHEMATIC T568B



PACKAGE	HOUSING COLOR	PART NUMBER
△	ELECTRIC IVORY	1-116604-1
	VIOLET	1-116604-0
	GREEN	116604-9
	YELLOW	116604-8
	RED	116604-7
	BLUE	116604-6
	ORANGE	116604-5
	NEVA GRAY	116604-4
	WHITE	116604-3
	BLACK	116604-2
	LIGHT ALMOND	116604-1

REV: EC 0840-0259-01	REV: EC 0840-0259-01	REV: EC 0840-0259-01	REV: EC 0840-0259-01
DATE: 08-18-18	DATE: 08-18-18	DATE: 08-18-18	DATE: 08-18-18
BY: TLP	BY: TLP	BY: TLP	BY: TLP
CHK: JLM	CHK: JLM	CHK: JLM	CHK: JLM
APP: CO	APP: CO	APP: CO	APP: CO
ASSEMBLY, TOOLLESS, CAT 5c, UNIVERSAL - RJ45			
CUSTOMER DRAWING		SCALE: 10:1	SHEET: 1 OF 1