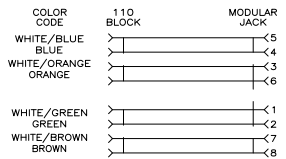
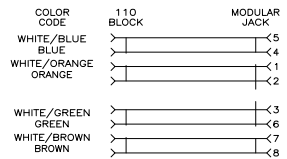


THIS DRAWING IS UNPUBLISHED
 ALL RIGHTS RESERVED

REV	DATE	DESCRIPTION	BY	CHK	APP
01		REVISED PER EDD-11-005033	21MMR11	RK	HMR

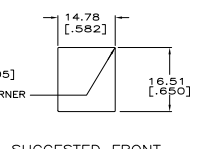
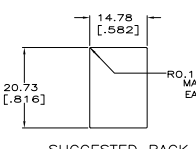
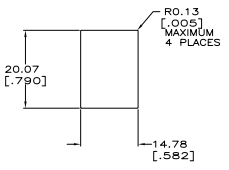
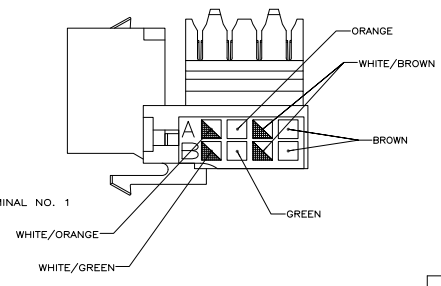
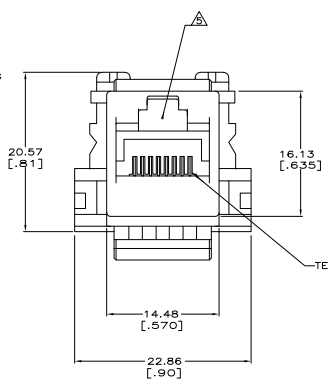
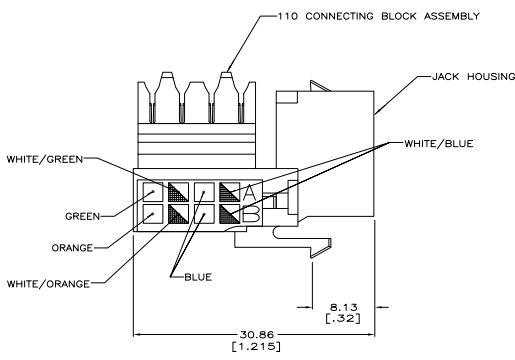


ELECTRICAL SCHEMATIC
T568A



ELECTRICAL SCHEMATIC
T568B

- ⚠ MATERIAL: HOUSING - POLYETHYLENE OXIDE, 94V-0 RATED. SEE TABLE FOR COLOR. 110 BLOCKS - POLYCARBONATE, 94V-0 RATED. JACK CONTACTS - PHOSPHOROUS BRONZE, PLATED WITH 1.27µm [.000050] MINIMUM THICK GOLD IN LOCALIZED AREA AND 3.81µm [.000150] MINIMUM THICK MATTE TIN IN SOLDER AREA OVER 1.27µm [.000050] MINIMUM THICK NICKEL UNDERPLATE.
- 2. 110 BLOCK WILL TERMINATE 22-26 AWG SOLID OR 7 STRAND CONDUCTORS, 1.27 [.050] MAXIMUM INSULATION DIAMETER.
- 3. MOUNTING PANEL THICKNESS 1.473 - 1.600 [.058 - .063].
- ⚠ ONE MODULAR JACK ASSEMBLY PER POLYBAG.
- ⚠ CAVITY CONFORMS TO FCC RULES AND REGULATIONS PART 68 SUBPART F REQUIREMENTS.
- ⚠ THESE TWO SUGGESTED CUTOUT OPENINGS ARE USED IN TANDEM WITH DUAL FRONT AND BACK CUTOUTS.
- ⚠ TWENTY FIVE MODULAR JACK ASSEMBLIES PER POLYBAG.



HOUSING COLOR	PART NUMBER
ELECTRIC IVORY	3-406372-1
VIOLET	3-406372-0
GREEN	2-406372-9
YELLOW	2-406372-8
RED	2-406372-7
BLUE	2-406372-6
ORANGE	2-406372-5
NEMA GRAY	2-406372-4
WHITE	2-406372-3
BLACK	2-406372-2
LIGHT ALMOND	2-406372-1
ELECTRIC IVORY	1-406372-1
VIOLET	1-406372-0
GREEN	406372-9
YELLOW	406372-8
RED	406372-7
BLUE	406372-6
ORANGE	406372-5
NEMA GRAY	406372-4
WHITE	406372-3
BLACK	406372-2
LIGHT ALMOND	406372-1

THIS DRAWING IS A CONTROLLED DOCUMENT. DATE: 10/20/07 BY: J. BOYMAN. REV: 108-1389. PART NO: 408-3389. SIZE: 4.1. DRAWING NO: A100779. CUSTOMER DRAWING. SHEET: 1 OF 1.

TE Connectivity
 110 MODULAR JACK ASSEMBLY, R44S, ENHANCED CAT5, UNIVERSAL