

4

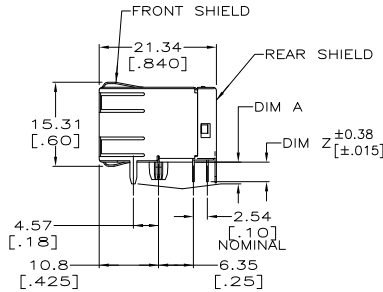
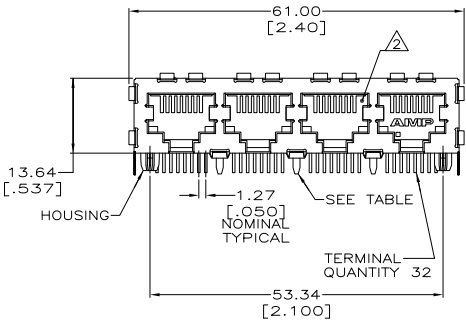
3

2

1

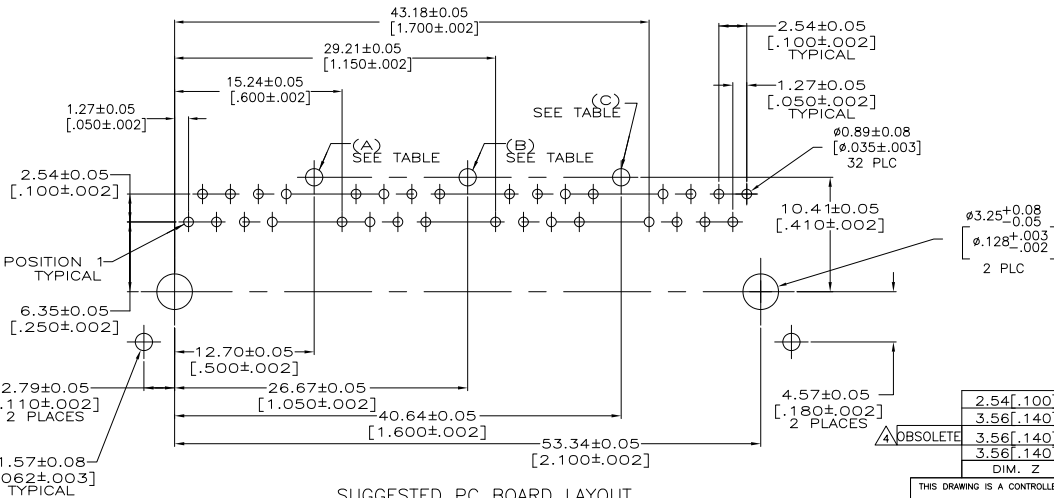
THIS DRAWING IS UNPUBLISHED. RELEASED FOR PUBLICATION. ALL RIGHTS RESERVED.

LOC	DIST	REVISIONS					
AA	00	F	LNK	DESCRIPTION	DATE	BY	APPD
		D2		REVISED PER ECO-11-005033	25MAR11	RLK	HMR



- MATERIAL: HOUSING - NYLON, COLOR: BLACK, UL 94V-0. OVERMOLDED TERMINAL ARRAY - PBT, BROWN. TERMINALS - 0.33[.013] THICK PHOS BRONZE PLATED WITH 1.27µm[.000050] MINIMUM HARD GOLD IN LOCALIZED AREA AND 3.81µm[.000150] MINIMUM MATTE TIN IN SOLDER AREA OVER 1.27µm[.000050] MINIMUM NICKEL UNDERPLATE. SHIELD - 0.254[.010] THICK COPPER ALLOY PLATED WITH 1.27µm[.000050] MINIMUM NICKEL AND 2.03 µm [0.00080] MINIMUM HOT TIN DIP ON PCB GROUND TABS.

- ⚠️ JACK CAVITY CONFORMS TO FCC RULES AND REGULATIONS, PART 68 SUBPART F.
- ⚠️ SAME AS NOTE 1 EXCEPT OVERMOLDED TERMINAL ARRAY - HTN, NATURAL.
- ⚠️ OBSOLETE PARTS: OBSOLETE CIS STREAMLINING PER D.RENAUD/D.SINISI



SUGGESTED PC BOARD LAYOUT COMPONENT SIDE (TOP) SCALE 4:1

2.54[.100]	3.05[.120]	NONE	NONE	1-5406203-2
3.56[.140]	3.94[.155]	(A) (B) (C)	ALL THREE	5406203-3
3.56[.140]	3.94[.155]	(B)	(1) MIDDLE	5406203-2
3.56[.140]	3.94[.155]	NONE	NONE	5406203-1
DIM. Z	DIM. A	HOLES USED	NO. OF REAR TABS	PART NUMBER

⚠️ OBSOLETE

DIMENSIONS		TOLERANCES UNLESS OTHERWISE SPECIFIED		APPROVED		TE Connectivity	
mm		mm		CHK	DATE	NAME	
0 PLC	±	0.25	0.01	T. SPRINKLE	01JUN2005	J. WESTMAN	TE Connectivity
1 PLC	±	0.13	0.005	S. ELKINGER	01JUN2005		
2 PLC	±	0.25	0.01				
3 PLC	±	0.13	0.005				
4 PLC	±						
ANGLES	±						
MATERIAL	SEE NOTE 1 & 3	FINISH	SEE NOTE 1 & 3	PRODUCT SPEC	108-1163-2	APPLICATION SPEC	114-2048
WEIGHT		SIZE	1 CASE CODE (DRAWING ID)	NO.	A2	00779	C=5406203
CUSTOMER DRAWING		SCALE	2:1	SHEET	1 of 1	REV	D2