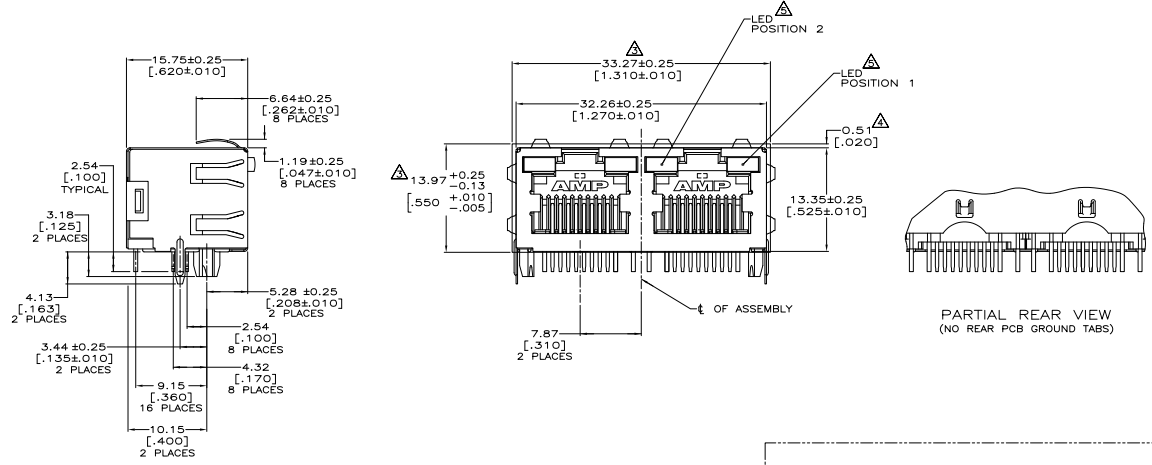
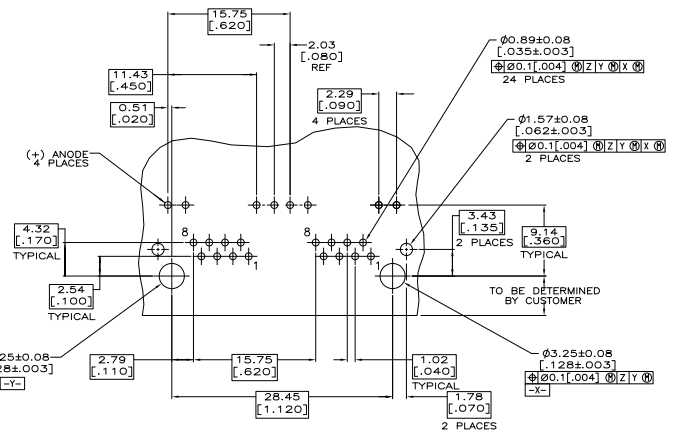
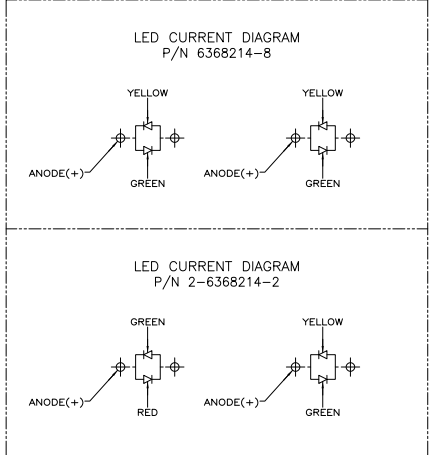


REV	DATE	DESCRIPTION	BY	CHK	APP
AA	22				
A		REV PER EC 0511-0201-04			15MAY2005 LV SF
AT		REVISED PER EC0-10-00044			19AUG10 KK HMR



- MATERIAL:** HOUSING - HIGH TEMPERATURE THERMOPLASTIC, BLACK, UL94V-0. TERMINALS - 0.36[.014] THICK PHOS BRONZE PLATED WITH 3.81µm[.000150] MINIMUM THICK MATTE TIN IN SOLDER AREA. 1.27 µm [0.000050] MINIMUM GOLD IN LOCALIZED PLATE AREA. ENTIRE TERMINAL PLATED WITH 1.27µm [0.000050] MINIMUM THICK NICKEL. SHIELD - 0.196[.0077] THICK COPPER ZINC ALLOY PREPLATED WITH 1.27µm[0.000050] MINIMUM SATIN NICKEL WITH 2.03µm[0.000080] MINIMUM TIN. POST DIPPED ON PCB GROUND TABS. LIGHT EMITTING DIODE (LED) - DIFFUSED EPOXY LENS, 0.51 x 0.51[.020 x .020] CARBON STEEL WIREFRAME LEADS PREPLATED WITH 8.89 µm[0.0003500] THICK Sn/Cu OVER 2.03 µm[0.000080] THICK Ag OVER 1.02µm[0.000040] THICK Cu OVER 3.56 µm[0.00140] THICK Ni OVER 1.02µm[0.00040] Cu UNDERPLATE.
- JACK CAVITY CONFORMS TO FCC RULES AND REGULATIONS PART 68, SUBPART F.
  - SUGGESTED PANEL OPENING DIMENSIONS.
  - SUGGESTED CLEARANCE BETWEEN TOP OF CONNECTOR AND TOP PANEL OPENING.
  - SEE TABLE FOR COLOR OF LEDs AND NUMBER REQUIRED.
  - THIS MODULAR JACK WITH INTEGRATED LED IS NOT IR REFLOW SOLDERING PROCESS COMPATIBLE.
  - OBsolete PARTS: OBsolete CIS STREAMLINING PER D.RENAUD/D.SINIS



INDICATOR COLOR FOR EACH HOUSING	RED/GREEN	GREEN/YELLOW	2-6368214-2
	GREEN/YELLOW	GREEN/YELLOW	6368214-8
	POSITION 2	POSITION 1	PART NUMBER
THIS DRAWING IS A CONTROLLED DOCUMENT. Tyco Electronics Corporation, Harrisburg, PA 17105-3608			
DESIGNED BY: WESTMAN	DRAWN BY: WESTMAN	CHECKED BY: WESTMAN	DATE: 108-1163-4
REVISED BY: A.A.	DATE: 114-2154	REVISED BY: A.A.	DATE: 114-2154
CUSTOMER DRAWING	REV: 4.1	DATE: 114-2154	REVISED BY: A.A.