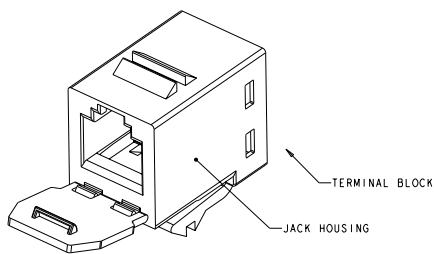
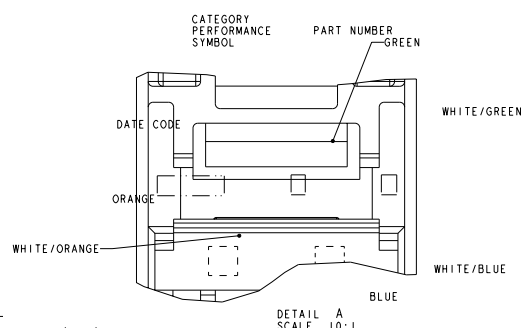
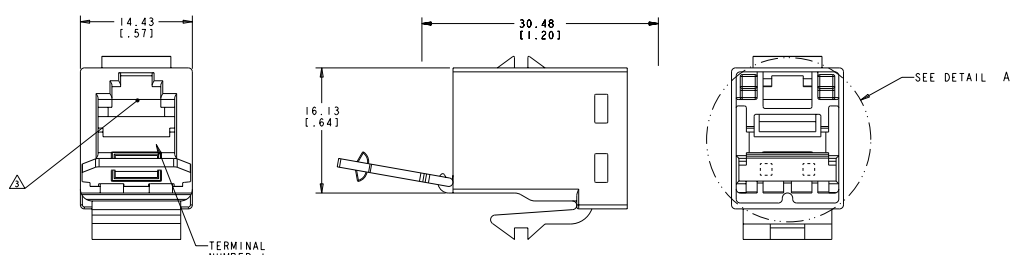


REV	DATE	DESCRIPTION	BY	CHK	APP
E	REV: ECO-07-015835		13JUN00	GG	SA
F	REV: ECO-08-012795		19AUG00	GG	SA
G	ADD 1-3, REV ECO-10-004736		09MAY01	LH	SA

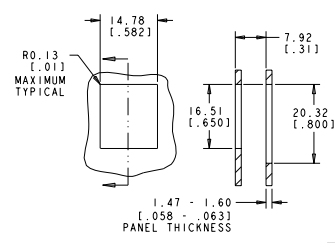
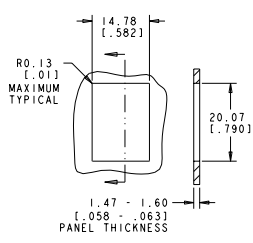


- △ MATERIAL: JACK HOUSING - POLYPHENYLENE OXIDE, 94V-0 RATED, 110 BLOCK - POLYCARBONATE, ARRAY TRAY - PBT POLYESTER, JACK CONTACTS ARRAY - BERYLLIUM COPPER, PLATED WITH 1.27µm (.000050) MINIMUM THICK GOLD IN LOCALIZED AREA AND 3.81µm (.000150) MINIMUM THICK MATTE TIN IN INTERFACE AREA OVER 1.27µm (.000050) MINIMUM THICK NICKEL UNDERPLATE, IDC TERMINALS - PHOSPHOROUS BRONZE, PLATED WITH 3.81µm (.000150) MINIMUM THICK MATTE TIN OVER 1.27µm (.000050) MINIMUM THICK NICKEL UNDERPLATE.
- 2. SL 110 JACK WILL TERMINATE 22-24 AWG SOLID AND 24-26 AWG STRANDED CONDUCTORS, 1.27(.050) MAXIMUM INSULATION DIAMETER.
- △ CAVITY CONFORMS TO FCC RULES AND REGULATIONS PART 68 SUBPART F REQUIREMENTS.
- 4. MOUNTING PANEL THICKNESS 1.47 - 1.60 (.058 - .063).
- △ THESE TWO SUGGESTED CUTOUT OPENINGS ARE USED IN TANDEM WITH DUAL FRONT AND BACK CUTOUTS.
- △ ONE MODULAR JACK ASSEMBLY PER POLYBAG.
- △ REFER TO 408-8858 FOR TERMINATION INSTRUCTIONS USING SL SERIES TOOL TERMINATION. REFER TO 408-8602 FOR TERMINATION INSTRUCTIONS USING 110 PUNCH DOWN TOOL.



COLOR CODE	110 BLOCK	MODULAR JACK
WHITE/BLUE	3	4
BLUE	4	3
WHITE/ORANGE	2	2
ORANGE	2	5
WHITE/GREEN	1	1
GREEN	1	6
WHITE/BROWN	1	1
BROWN	1	1

ELECTRICAL SCHEMATIC (USOC)



PACKAGE	HOUSING COLOR	PART NUMBER
ALPINE WHITE	1	1375193-3
ELECTRIC IVORY	1	1375193-1
VIOLET	1	1375193-0
GREEN	1	1375193-9
YELLOW	1	1375193-8
RED	1	1375193-7
BLUE	1	1375193-6
ORANGE	1	1375193-5
NEVA GRAY	1	1375193-4
WHITE	1	1375193-3
BLACK	1	1375193-2
LIGHT ALMOND	1	1375193-1

DIMENSIONS: 1 1 1 UNIT: INCHES TOLERANCES: .005 SURFACE FINISH: RA .05 MATERIAL: 110 BLOCK: POLYCARBONATE, JACK HOUSING: POLYPHENYLENE OXIDE, JACK CONTACTS: BERYLLIUM COPPER, JACK TRAY: PBT POLYESTER, JACK TERMINALS: PHOSPHOROUS BRONZE	DATE: 05/01/01 DRAWN BY: J. J. COOLEY CHECKED BY: J. J. COOLEY APPROVED BY: J. J. COOLEY CUSTOMER DRAWING: 00778	TITLE: ASSEMBLY, SL 110 JACK, DUSTCOVER, CATEGORY 3 PART NUMBER: 1375193-3 SCALE: 10:1 SHEET: 1 OF 1	Tyco Electronics Harrisburg, PA 17105-3600
---	--	---	---