

4

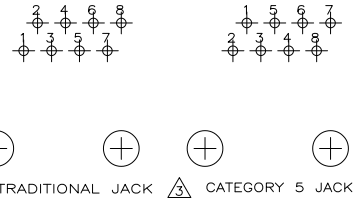
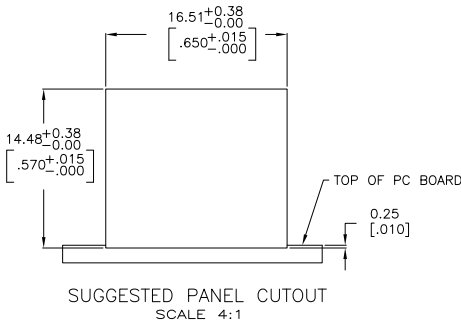
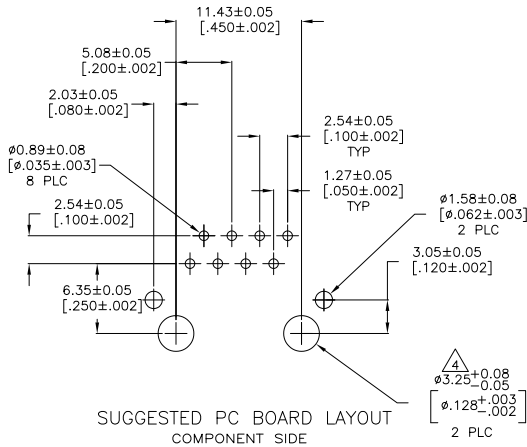
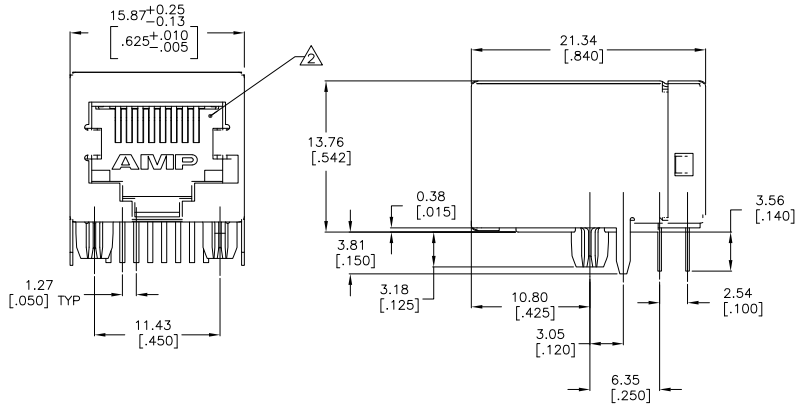
3

2

1

THIS DRAWING IS UNPUBLISHED. RELEASED FOR PUBLICATION. ALL RIGHTS RESERVED.

LOC	DIST	REVISIONS			
P	LTR	DESCRIPTION	DATE	BY	APPD
AA	00				
	D1	REVISED PER ECO-11-005033	26MAR11	RK	HMR



TRADITIONAL JACK CATEGORY 5 JACK

OBSOLETE	GRAY	5558342-2
	BLACK	5558342-1
	HOUSING COLOR	PART NUMBER

THIS DRAWING IS A CONTROLLED DOCUMENT.		BY T. PITTS/LA MAYER 01JUN2008	DATE 01JUN2008	REV 00
DIMENSIONS: mm		CHK J. WESTMAN 01JUN2008	TE Connectivity	
TOLERANCES UNLESS OTHERWISE SPECIFIED:		APPD S. FLICKINGER	NAME	
0 PLC	±	PRODUCT SPEC	108-1163-2	
1 PLC	±	APPLICATION SPEC	114-2048	
2 PLC	± 0.25(010)	REIGHT	A2 00779 C=5558342	
3 PLC	±	FINISH	CUSTOMER DRAWING	
4 PLC	±	SEE NOTE 1	SCALE 4:1 SHEET 1 of 1 REV D1	
ANGLES	±	SEE NOTE 1		
MATERIAL	SEE NOTE 1			

1471-9 (3/11)

5558342

B

A