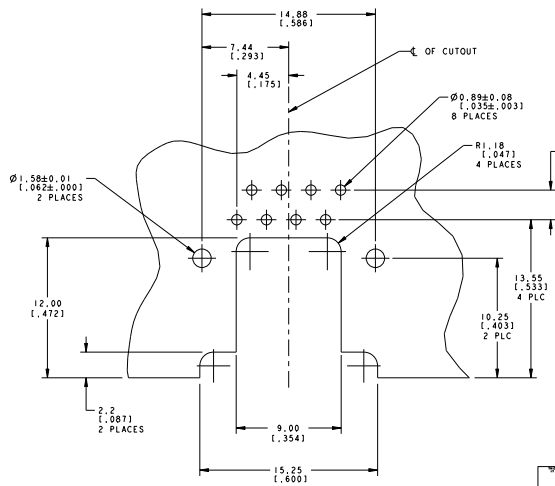
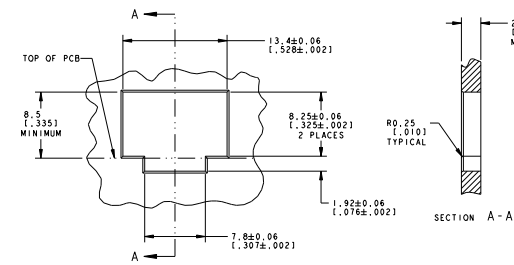
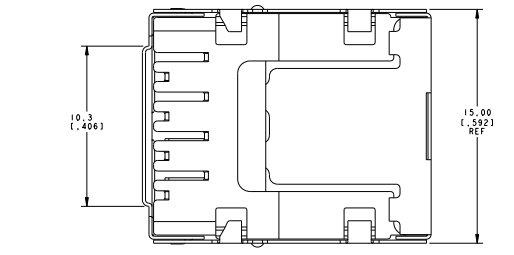
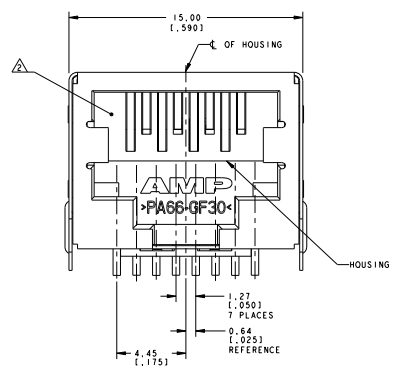
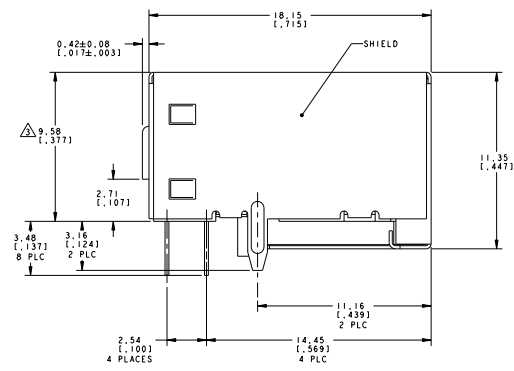
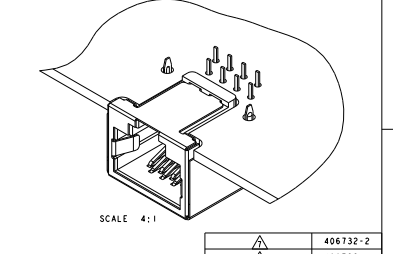
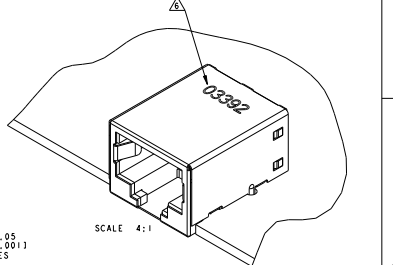


NOT DIMENSION TO DIMENSIONS RELEASED FOR PRODUCTION BY THIS ELECTRONICS CORPORATION. ALL DIMENSIONS IN INCHES.



REV	DATE	DESCRIPTION	BY	CHK	APP
E	ECO011-0147-03		LMK	JM	
F	ECO011-0025-04		LMK	JM	
G	ECO-04-020175		LMK	JM	
H	ECO-04-012623		LMK	JM	

- MATERIAL: HOUSING - HIGH TEMPERATURE NYLON, BLACK, UL 94V-0. TERMINALS - 0.25(0.01) THICK PHOSPHOR BRONZE PLATED WITH 3.81µm(0.000150) MINIMUM THICK BRIGHT TIN-LEAD IN SOLDER AREA, 1.27µm(0.000050) MINIMUM GOLD IN LOCALIZED PLATE AREA. ENTIRE TERMINAL PLATED WITH 1.27µm(0.000050) MINIMUM THICK NICKEL. SHIELD - 0.21(0.079) THICK COPPER ZINC ALLOY, PREPLATED WITH 2.03µm(0.000080) MIN THICK BRIGHT TIN OVER 1.27µm(0.000080) MIN THICK NICKEL.
- JACK CAVITY CONFORMS TO FCC RULES AND REGULATIONS PART 68, SUBPART F.
- THIS DIMENSION REPRESENTS THE TOTAL HEIGHT OF THE CONNECTOR FROM THE TOP OF THE PC BOARD.
- 4. PACKAGED 66 ASSEMBLIES PER PVC TRAY, 396 PER BOX.
- 5. DIELECTRIC WITHSTANDING VOLTAGE BETWEEN SHIELD AND TERMINAL IS 1500 VAC.
- MANUFACTURING DATE CODE: ORIENTED AND LOCATED APPROXIMATELY AS SHOWN, BLACK INK STAMP. TEXT HEIGHT APPROXIMATELY 2MM. FIRST 2 DIGITS = LAST 2 DIGITS OF YEAR. NEXT 2 DIGITS = MANUFACTURING WORK WEEK. LAST DIGIT = DAY OF WEEK WITH SUNDAY = 1.
- MATERIAL: HOUSING - HIGH TEMPERATURE NYLON, BLACK, UL 94V-0. TERMINALS - 0.25(0.01) THICK PHOSPHOR BRONZE PLATED WITH 3.81µm(0.000150) MINIMUM THICK MATTE TIN IN SOLDER AREA, 1.27µm(0.000050) MINIMUM GOLD IN LOCALIZED PLATE AREA. ENTIRE TERMINAL PLATED WITH 1.27µm(0.000050) MINIMUM THICK NICKEL. SHIELD - 0.21(0.079) THICK COPPER ZINC ALLOY, PREPLATED WITH 2.03µm(0.000080) MIN THICK BRIGHT TIN OVER 1.27µm(0.000050) MINIMUM THICK NICKEL.



REV	DATE	DESCRIPTION	BY	CHK	APP
1	00779	406732	A		

406732-2
406732-1
PART NUMBER

MODULAR JACK ASSEMBLY, 8 POSITION, SHIELDED, 10mm, WITHOUT PANEL TABS, WITHOUT POSTS

WEIGHT: 3.4 grams

DATE: 00779

SCALE: 4:1