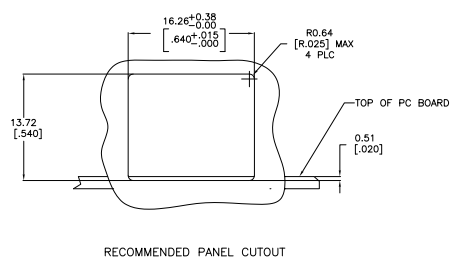
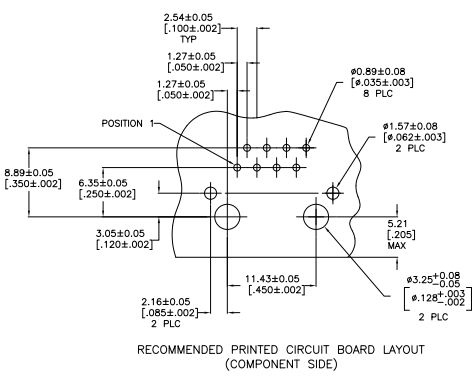
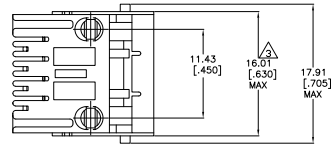
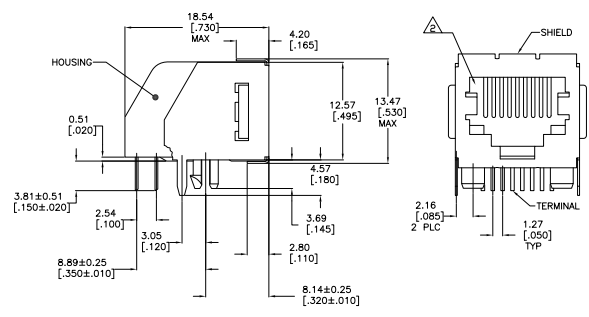


THIS DRAWING IS UNPUBLISHED  
 ALL RIGHTS RESERVED

REV	DATE	DESCRIPTION	BY	APP
AA	00			
B		ECO-07-08037		



- MATERIAL:  
 HOUSING - HTN NYLON, COLOR: BLACK  
 TERMINAL - 0.36[014] THICK PHOS-BRONZE PLATED WITH 1.27µm[000050] MINIMUM THICK HARD GOLD IN LOCALIZED GOLD PLATE AREA AND 3.81µm[000150] MINIMUM THICK MATTE TIN IN SOLDER AREA OVER 1.27µm[000050] THICK MINIMUM NICKEL UNDERPLATE  
 SHIELD - 0.25[010] THICK COPPER ALLOY PLATED WITH 3.0µm[000120] MINIMUM REFLOWED TIN

- CAVITY CONFORMS TO FCC RULES AND REGULATIONS, PART 68, SUBPART F
- DIMENSION MEASURED ALONG FRONT EDGES OF MATING FACE

5558250-1  
 PART NUMBER

THIS DRAWING IS A CONTROLLED DOCUMENT.		DESIGNED BY: J. FERNANDEZ	DESIGNED DATE: 07/2003	DESIGNED BY: J. WESTMAN	DESIGNED DATE: 07/2003	DESIGNED BY: J. WESTMAN	DESIGNED DATE: 07/2003	DESIGNED BY: J. WESTMAN	DESIGNED DATE: 07/2003
UNLESS OTHERWISE SPECIFIED:	ALL DIMENSIONS ARE IN INCHES	FINISH: 108-1163	FINISH: 108-1163	FINISH: 108-1163	FINISH: 108-1163	FINISH: 108-1163	FINISH: 108-1163	FINISH: 108-1163	FINISH: 108-1163
SEE NOTE 1	SEE NOTE 1	SEE NOTE 1	SEE NOTE 1	SEE NOTE 1	SEE NOTE 1	SEE NOTE 1	SEE NOTE 1	SEE NOTE 1	SEE NOTE 1
CUSTOMER DRAWING		A100779		G=5558250		REV: 4.1		PAGE: 1 OF 1	