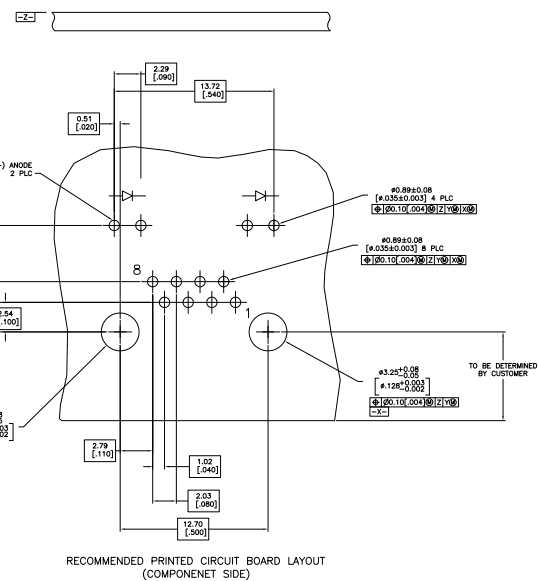
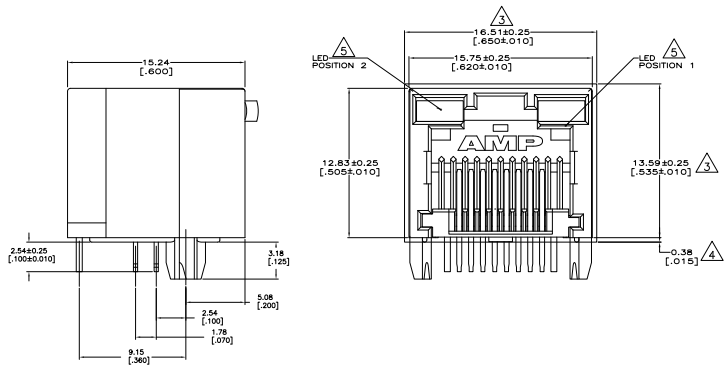


THIS DRAWING IS UNPUBLISHED. ALL RIGHTS RESERVED.
 © 2007 TYS ELECTRONICS CORPORATION. ALL RIGHTS RESERVED.

REV	DATE	DESCRIPTION	BY	CHK
AA	00			
G	E00-07-022131		D9NDV07	LAM JW
QT	REVISED PER E00-09-021828		12SEP09	KK AEG



RECOMMENDED PRINTED CIRCUIT BOARD LAYOUT
(COMPONENT SIDE)

- MATERIAL:
 HOUSING - HIGH TEMPERATURE THERMOPLASTIC, COLOR: BLACK, UL94V-0.
 TERMINALS - 0.36[.014] THICK PHOS BRONZE PLATED WITH 3.81µm[.000150] MINIMUM THICK BRIGHT TIN LEAD IN SOLDER AREA. 1.27µm [0.00090] MINIMUM GOLD IN LOCALIZED PLATE AREA. ENTIRE TERMINAL PLATED WITH 1.27µm [0.00050] MINIMUM THICK NICKEL.
 LIGHT EMITTING DIODE (LED) - DIFFUSED EPOXY LENS, 51 x .51[.020 x .020] CARBON STEEL WIRFRAME. LEADS PLATED WITH 8.89µm[.000350] TIN/COPPER OVER 2.03µm[.00080] SILVER OVER 1.02µm[.00040] NICKEL UNDERPLATE OVER 2.03µm[.00080] COPPER UNDERPLATE.
 - JACK CAVITY CONFORMS TO FCC RULES AND REGULATIONS PART 68, SUBPART F.
- ▲ SUGGESTED PANEL OPENING DIMENSIONS.
 - ▲ SUGGESTED CLEARANCE BETWEEN BOTTOM OF CONNECTOR AND BOTTOM PANEL OPENING.
 - ▲ SEE TABLE FOR COLOR OF LEDS AND NUMBER REQUIRED.
- THIS MODULAR JACK WITH INTEGRATED LED IS NOT IR REFLOW SOLDERING PROCESS COMPATIBLE.
 - OBsolete PARTS: OBSOLETE CIS STREAMLINING PER D.RENAUD/D.SINISI

INDICATOR COLOR	POSITION 2	POSITION 1	PART NUMBER
GREEN	-	-	1-406633-7
GREEN	RED/GREEN	-	1-406633-0
YELLOW	YELLOW	-	1-406633-6
YELLOW	-	-	1-406633-3
-	GREEN	-	1-406633-2
YELLOW	GREEN	-	1-406633-1

THIS DRAWING IS A CONTROLLED DOCUMENT.		REVISEMENTS		DATE		BY		CHK	
INCHES	MM	NO.	DATE	NO.	DATE	NO.	DATE	NO.	DATE
		1	108-1163-4	1	114-2154	1	114-2154	1	114-2154
DRAWN BY: SEE NOTE 1		CHECKED BY: SEE NOTE 1		DATE: 114-2154		REVISED BY: A100779		REVISED DATE: 114-2154	
CUSTOMER DRAWING		DRAWING NO. 406633		REVISED DATE: 114-2154		REVISED BY: A100779		REVISED DATE: 114-2154	

AMP 400 REV 01/2000