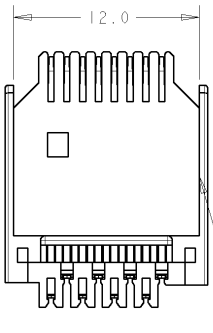
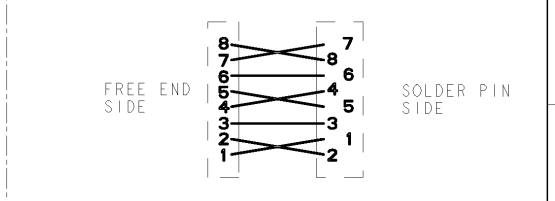
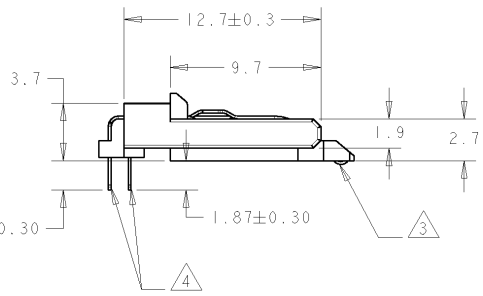
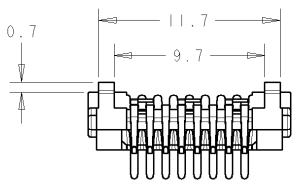
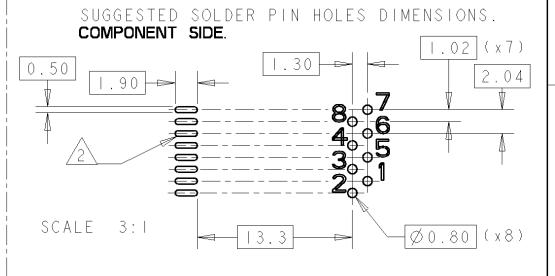


THIS DRAWING IS UNPUBLISHED. RELEASED FOR PUBLICATION 2006
 © COPYRIGHT 2006 BY TYCO ELECTRONICS CORPORATION. ALL RIGHTS RESERVED.

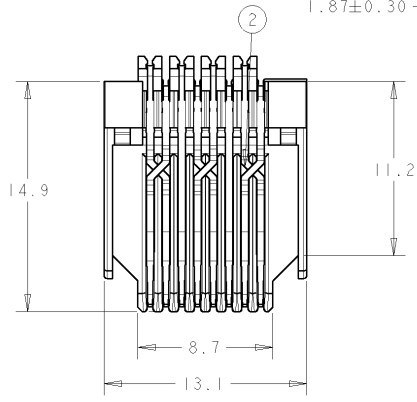
LOC	DIST	REVISIONS					
		P	LTR	DESCRIPTION	DATE	DWN	APVD
1K	2	C		ECR-07-014814	16JUL2007	LD	JS
		CI		Added pin length	21Jan2010	LD	JS



1. PACKAGING:
 - 216 CONNECTORS IN 1 PLASTIC TRAY.
 - TRAY COVERED WITH TRANSPARENT PLASTIC COVER.
- 2 8 FREE END FINGERS. SHALL BE GOLD PLATED 0.5um MIN.
- 3 CONTACT TIPS TO MAKE CONTACT WITH FREE END FINGERS 2
- 4 SOLDER PINS.



OBSOLETE



8	8	BERILUM COPPER GOLD & NICKEL PLATED	ARRAY	2																	
1	1	PBT BLACK	INSERT	1																	
5/1	-1	MATERIAL	DESCRIPTION	ITEM																	
QTY PER CONNECTOR																					
<table border="0"> <tr> <td>OWN</td> <td>21Jan2010</td> <td rowspan="4"> Tyco Electronics AMP España, S.A. Barcelona, Spain. </td> <td colspan="2"></td> </tr> <tr> <td>CHK</td> <td>L. de Dios</td> <td colspan="2"></td> </tr> <tr> <td>A</td> <td>Puell</td> <td colspan="2"></td> </tr> <tr> <td>APVD</td> <td>I. Sanabria</td> <td colspan="2"></td> </tr> </table>					OWN	21Jan2010	Tyco Electronics AMP España, S.A. Barcelona, Spain.			CHK	L. de Dios			A	Puell			APVD	I. Sanabria		
OWN	21Jan2010	Tyco Electronics AMP España, S.A. Barcelona, Spain.																			
CHK	L. de Dios																				
A	Puell																				
APVD	I. Sanabria																				
NAME SUB-ASSY INSERT SIDE ENTRY JACK FOR Cat6 APPLICATIONS																					
APPLICATION SPEC 114-22021																					
WEIGHT -																					
SIZE A3 CAGE CODE 00779 DRAWING NO. C-336584 RESTRICTED TO -																					
CUSTOMER DRAWING SCALE 4:1 SHEET 1 OF 1 REV C																					

THIS DRAWING IS A CONTROLLED DOCUMENT FOR TYCO ELECTRONICS CORPORATION. IT IS SUBJECT TO CHANGE AND THE CONTROLLING ENGINEERING DEPARTMENT SHOULD BE CONTACTED FOR THE LATEST REVISION.

DIMENSIONS:	TOLERANCES UNLESS OTHERWISE SPECIFIED:
mm	
0 PLC	±
1 PLC	±0.5
2 PLC	±
3 PLC	±
4 PLC	±
ANGLES	±
FINISH	-

MATERIAL SEE TABLE