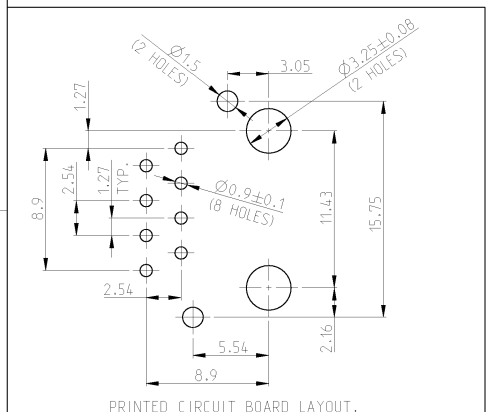
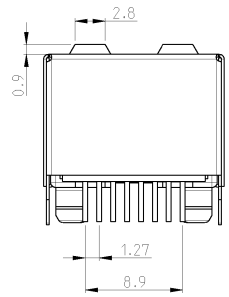
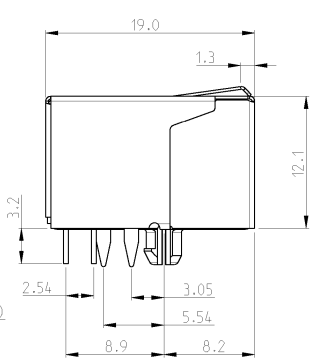
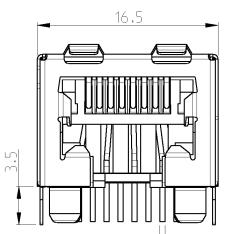
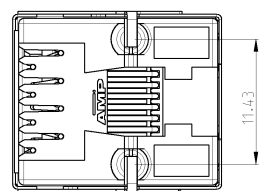
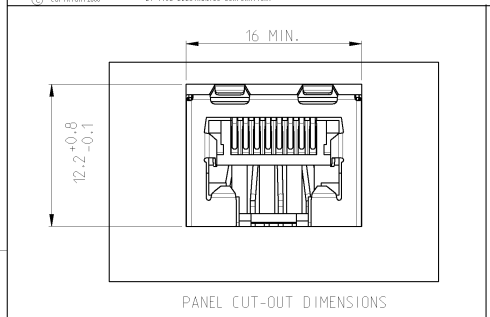


REV	DATE	BY	CHKD	DESCRIPTION
1	30-AUG-04	PW	PG	

PACKAGING	REMARKS	DESCRIPTION	MATERIAL	P/N
PACKAGED 190 PIECES IN A TRAY	8 POS. 8 CONT.	IN CONTACT AREA: 1.2 µm MIN. SEL. GOLD OVER 1.2 µm MIN. NICKEL	HOUSING: PBT UL 94 V-0 BLACK CONTACTS: PHOSPHOR BRONZE	2-338556-1
		SOLDER TINES: 2.5 µm MIN. TIN-LEAD OVER 1.2 µm NICKEL	SHIELD: PHOSPHOR BRONZE PRE-PLATED (BRIGHT TIN)	
<small>TYPE APPROVED FOR USE IN MILITARY APPLICATIONS. THIS DRAWING IS UNCLASSIFIED AND IS NOT CONTROLLED BY THE EXPORT ADMINISTRATION.</small>		<small>DATE</small> E.V.E.I.J.K. <small>BY</small> M.V.E.S.S.E.N. <small>APP'D</small> B. SMIFETIK <small>PRODUCT SPEC.</small> 108-19064 <small>APPLICATION SPEC</small> 114-19019 <small>WEIGHT</small> <small>NO. 30</small>	<small>DATE</small> Type Electronics Oostham - Belgium <small>NAME</small> 8 pos. Modular Jack Side Entry fully shielded with insulation plate <small>SIZE</small> A2 <small>CASE CODE</small> 00778 <small>DRAWING NO</small> 338556 <small>RESTRICTED TO</small>	
<small>DIMENSIONS:</small> mm <small>FOR DIMENSIONS OF COMPONENTS:</small> 0 PLC ±0.15 1 PLC ±0.15 2 PLC ±0.15 3 PLC ±0.15 4 PLC ±0.15 ANGLES ±0.15 FINISH	<small>MATERIAL</small> FINISH	<small>CUSTOMER DRAWING</small>	<small>SCALE</small> 4:1 <small>SHEET</small> 1 <small>OF 2</small>	<small>REV</small> H

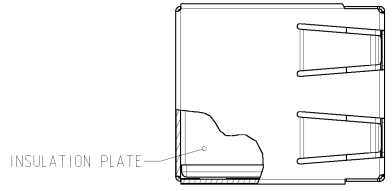
AMP 1471-1 REV 30MAR2000  
PLOT/ENGINEER DRAWING

REV. NO.	DATE	BY	APP'D	DESCRIPTION
1				SEE SHEET 1



(VIEW SHOWN IS CIRCUIT (NONCOMPONENT) SIDE OF BOARD.)  
 PRINTED CIRCUIT BOARD THICKNESS: 1.6 mm NOMINAL.  
 TOLERANCE UNLESS OTHERWISE SPECIFIED: ± 0.15 mm.

Ø0.45 REF (8x)



PACKAGING	REMARKS	DESCRIPTION	MATERIAL	P/N																														
PACKAGED 190 PIECES IN A TRAY	8 POS. 8 CONT.	IN CONTACT AREA: 1.2 µm MIN. SEL. GOLD OVER 1.2 µm MIN. NICKEL  SOLDER TINES: 2.5 µm MIN. TIN-LEAD OVER 1.2 µm NICKEL	HOUSING: PBT UL 94V-0 BLACK  CONTACTS: PHOSPHOR BRONZE  SHIELD: PHOSPHOR BRONZE PRE-PLATED BRIGHT TIN	3-338556-1																														
<table border="1"> <tr> <td>DESIGNER</td> <td>J. de Graaff</td> </tr> <tr> <td>CHECKED</td> <td>M. van Essen</td> </tr> <tr> <td>DATE</td> <td></td> </tr> </table>		DESIGNER	J. de Graaff	CHECKED	M. van Essen	DATE		<table border="1"> <tr> <td>COMPANY</td> <td colspan="3">Tyco Electronics</td> </tr> <tr> <td>ADDRESS</td> <td colspan="3">Oostham - Belgium</td> </tr> <tr> <td>PRODUCT SPEC</td> <td colspan="3">108-19064</td> </tr> <tr> <td>APPLICATION SPEC</td> <td colspan="3">114-19019</td> </tr> <tr> <td>WEIGHT</td> <td colspan="3">-</td> </tr> <tr> <td>CUSTOMER DRAWING</td> <td colspan="3">-</td> </tr> </table>			COMPANY	Tyco Electronics			ADDRESS	Oostham - Belgium			PRODUCT SPEC	108-19064			APPLICATION SPEC	114-19019			WEIGHT	-			CUSTOMER DRAWING	-		
DESIGNER	J. de Graaff																																	
CHECKED	M. van Essen																																	
DATE																																		
COMPANY	Tyco Electronics																																	
ADDRESS	Oostham - Belgium																																	
PRODUCT SPEC	108-19064																																	
APPLICATION SPEC	114-19019																																	
WEIGHT	-																																	
CUSTOMER DRAWING	-																																	
<table border="1"> <tr> <td>DIMENSIONS:</td> <td colspan="3">mm</td> </tr> <tr> <td>SCALE</td> <td colspan="3">4:1</td> </tr> </table>		DIMENSIONS:	mm			SCALE	4:1			<table border="1"> <tr> <td>SHEET</td> <td>2</td> <td>OF</td> <td>2</td> </tr> <tr> <td>REV</td> <td colspan="3">H</td> </tr> </table>			SHEET	2	OF	2	REV	H																
DIMENSIONS:	mm																																	
SCALE	4:1																																	
SHEET	2	OF	2																															
REV	H																																	