

4

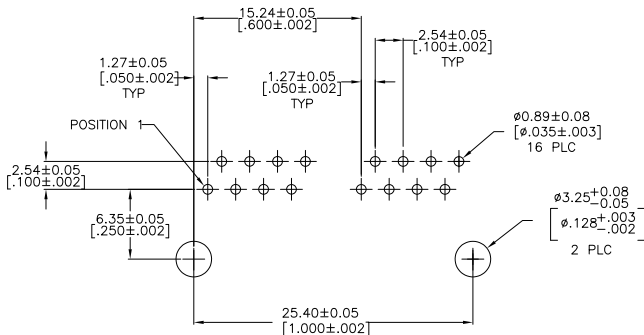
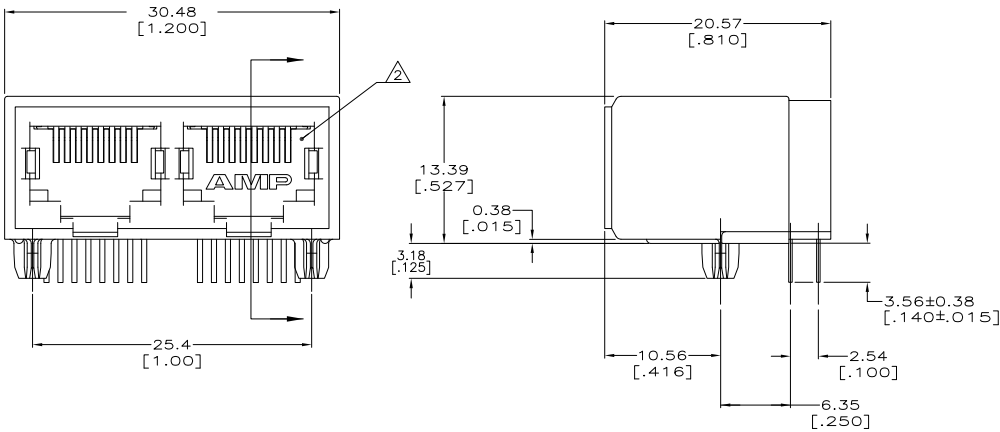
3

2

1

THIS DRAWING IS UNPUBLISHED. RELEASED FOR PUBLICATION.
 BY TYCO ELECTRONICS CORPORATION. ALL RIGHTS RESERVED.

LOC	DIST	REVISIONS				
AA	00	F	LNK	DATE	BY	APP'D
		B		ECO-07-021493	03OCT07	LAM JW



SUGGESTED PC BOARD LAYOUT
 COMPONENT SIDE
 SEE APPLICATION SPECIFICATION

1 MATERIAL:
 HOUSING - NYLON, COLOR: BLACK, UL 94V-0.
 OVERMOLDED TERMINAL ARRAY - PBT, BROWN.
 TERMINAL - 0.33[.013] THICK PHOS-BRONZE PLATED
 WITH 1.27µm[.000050] THICK HARD GOLD IN LOCALIZED
 GOLD PLATE AREA AND 3.81µm[.000150] THICK MATTE TIN
 IN SOLDER AREA OVER 1.27µm[.000050] THICK NICKEL
 UNDERPLATE.

△ JACK CAVITY CONFORMS TO FCC RULES AND REGULATIONS
 PART 68, SUBPART F.

6368120-1
 PART NUMBER

THIS DRAWING IS A CONTROLLED DOCUMENT.		DRN DL	10MAY2005	Tyco Electronics Corporation	
		CHK J. WESTMAN	10MAY2005	Harrisburg, Pa 17105-3608	
DIMENSIONS: mm		APPROVED FOR RELEASE S. ELCKINGER	NAME	MODULAR JACK ASSEMBLY, 2 PORT, 8 POSITION, CATEGORY 5, RIGHT ANGLE	
		0 PLC ± -	PRODUCT SPEC	108-1163-2	
		1 PLC ± -	APPLICATION SPEC	114-2048	
		2 PLC ± 0.25[.01]	SIZE	CAGE CODE	DRAWING NO
		3 PLC ± 0.13[.005]	HEIGHT	A2	00779
		4 PLC ± -	FINISH	C=6368120	
MATERIAL SEE NOTE 1		FINISH SEE NOTE 1		CUSTOMER DRAWING	RESTRICTED TO
				SCALE	4:1
				SHEET	1 of 1
				REV	B

AMP 1471-9 REV 31MM2000

6368120

A