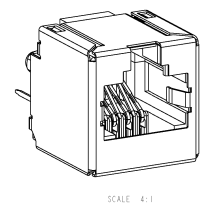
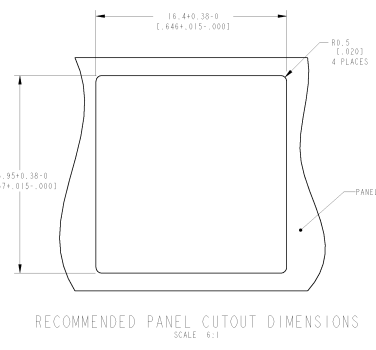
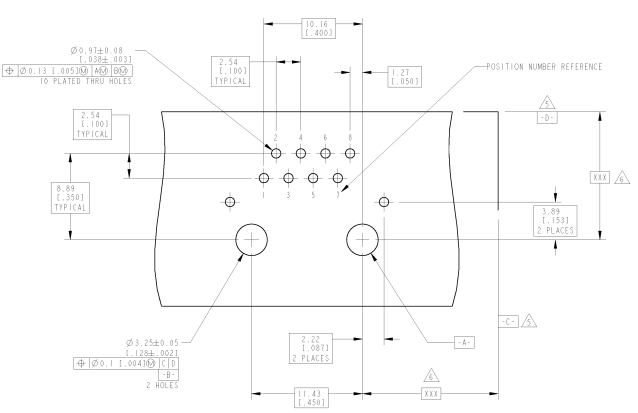
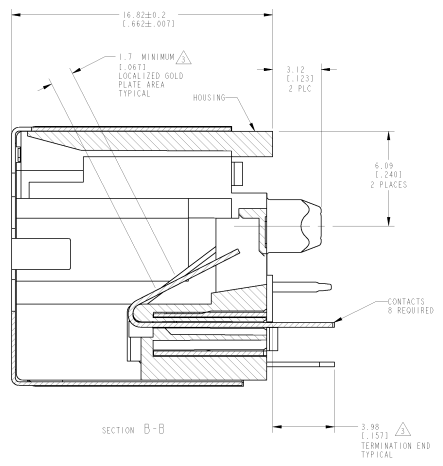
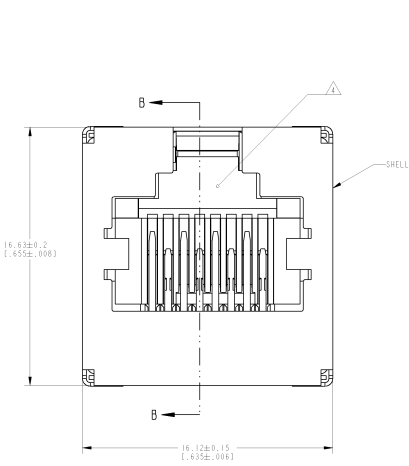


REV	DATE	DESCRIPTION	BY	CHK	APP
AA	22				
A		ECO-01-9201-04	SHAWNEE	LAW	JW
B		REV PER ECO-01-924617	CHMORAT	RO	JW

- △ THERMOPLASTIC, COLOR-BLACK
- △ PHOSPHOR BRONZE
- △ 1.27µm(.00050) MIN GOLD IN LOCALIZED GOLD PLATE AREA, 2µm(.00079) MIN WHITE TIN ON TERMINATION END, BOTH OVER 1.27µm(.00050) MIN NICKEL
- △ CAVITY CONFORMS TO FCC 47 CFR 68 PART F
- △ DATUMS ESTABLISHED BY CUSTOMER
- △ DIMENSIONS ESTABLISHED BY CUSTOMER
- △ COPPER ZINC ALLOY
- △ 2.93µm(.00080) MIN BRIGHT TIN OVER 1.27µm(.00050) MIN NICKEL



RECOMMENDED PRINTED CIRCUIT BOARD LAYOUT
 RECOMMENDED PRINTED CIRCUIT BOARD THICKNESS 1.41-.053 MIN
 COMPONENT SIDE OF PRINTED CIRCUIT BOARD

PART NUMBER
 6368150-1

MATERIALS		FINISHES		DRAWING		CUSTOMER DRAWING	
W/PLATE	W/PLATE	W/PLATE	W/PLATE	W/PLATE	W/PLATE	W/PLATE	W/PLATE
W/PLATE	W/PLATE	W/PLATE	W/PLATE	W/PLATE	W/PLATE	W/PLATE	W/PLATE
W/PLATE	W/PLATE	W/PLATE	W/PLATE	W/PLATE	W/PLATE	W/PLATE	W/PLATE
W/PLATE	W/PLATE	W/PLATE	W/PLATE	W/PLATE	W/PLATE	W/PLATE	W/PLATE
W/PLATE	W/PLATE	W/PLATE	W/PLATE	W/PLATE	W/PLATE	W/PLATE	W/PLATE
W/PLATE	W/PLATE	W/PLATE	W/PLATE	W/PLATE	W/PLATE	W/PLATE	W/PLATE
W/PLATE	W/PLATE	W/PLATE	W/PLATE	W/PLATE	W/PLATE	W/PLATE	W/PLATE
W/PLATE	W/PLATE	W/PLATE	W/PLATE	W/PLATE	W/PLATE	W/PLATE	W/PLATE