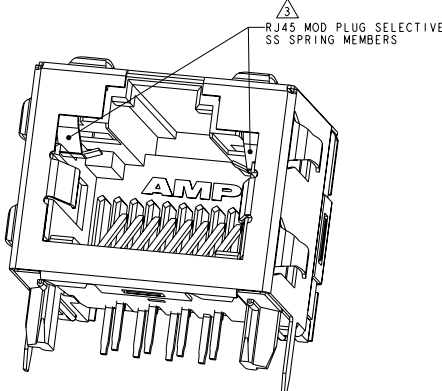
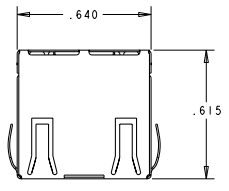


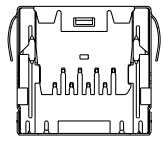
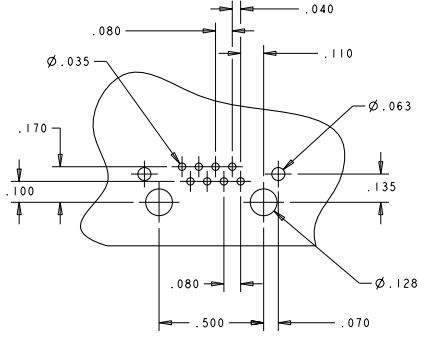
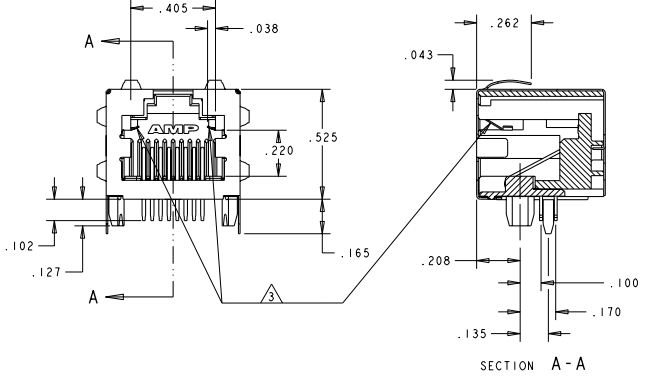
THIS DRAWING IS UNPUBLISHED. RELEASED FOR PUBLICATION
 BY TYCO ELECTRONICS CORPORATION. ALL RIGHTS RESERVED.

REV	DATE	BY	CHKD	APPROV
E	29SEP2005	RG	JW	
F	10JAN2006	LAM	JW	



SCALE 6:1

- MATERIAL:
 HOUSING - HIGH TEMPERATURE THERMOPLASTIC, PER UL94V-0.
 COLOR - BLACK
 TERMINALS - .014 THICK PHOSPHOR BRONZE
 PLATING - 50 MICRO INCHES GOLD IN CONTACT AREA 150 MICRO INCHES TIN-LEAD ON SOLDER TAILS, ALL OVER 50 MICRO INCHES OF NICKEL
 SHIELD - .0077 THICK COPPER-ZINC ALLOY, PREPLATED WITH 50 MICRO INCHES MINIMUM SATIN NICKEL WITH 80 MICRO INCHES MINIMUM TIN POST DIPPED ON PCB GROUND TABS.
 - JACK CAVITY CONFORMS TO FCC RULES AND REGULATIONS PART 68, SUBPART F.
- ⚠ RJ45 MOD PLUG SELECTIVE - THIS CONNECTOR UTILIZES 2 STAINLESS STEEL SPRING MEMBERS WHICH PREVENT THE INSERTION OF A RJ11 (6 POSITION) PLUG INTO THE JACK PORT, WHILE ALLOWING A RJ45 (8 POSITION) PLUG TO MATE FREELY.
- ⚠ WARNING: THIS FEATURE WAS DEVELOPED FOR TYPICAL PLUG INSERTION FORCES. EXCESSIVE INSERTION FORCE MAY OVERCOME THE SELECTIVE FEATURES AND DAMAGE THE CONNECTOR.



1364288-1
PART NUMBER

DIMENSIONS: INCHES 0 PLC ±.005 1 PLC ±.01 2 PLC ±.015 3 PLC ±.02 4 PLC ±.025 5 PLC ±.03 ANGLES ±.1° FINISH		DIMENSIONS: MILLIMETERS 0 PLC ±.13 1 PLC ±.25 2 PLC ±.38 3 PLC ±.51 4 PLC ±.64 5 PLC ±.76 ANGLES ±.1° FINISH		DWG NO. HASIRCO011 CBY DIXON DATE 25MAY00 APP'D SUMMERS PRODUCT SPEC 108-1163-4 APPLICATION SPEC 114-2154 WEIGHT FINISH	Tyco Electronics Harrisburg, PA 17105-3608 NAME INVERTED MODULAR JACK ASSEMBLY, 1X1, SHIELDED, PANEL GROUND, RJ45 MOD PLUG SELECTIVE CAPABILITY SHEET CASE CODE DRAWING NO. A200779 DRAWING NO. 1364288	RESTRICTED TO SCALE 3:1 SHEET 1 OF 1 REV F
---	--	---	--	--	---	---

AMP 1471-B REV 31MAR2000
 Pre-ENGINEER DRAWING