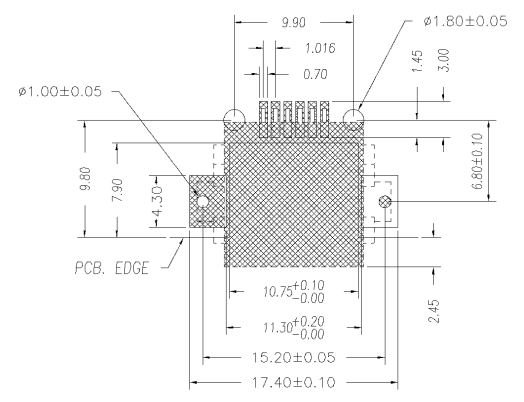
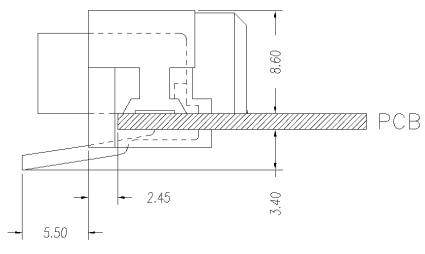
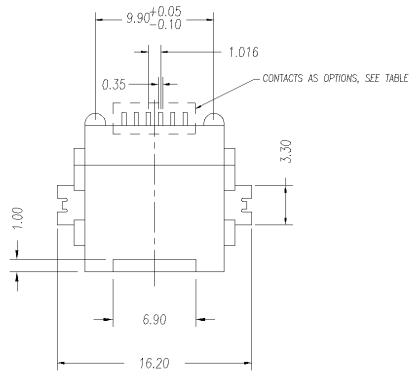


NUMBER C-440208

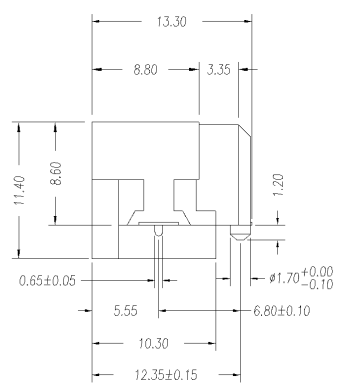
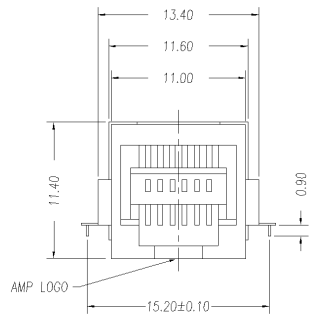
METRIC

THIS INFORMATION IS CONFIDENTIAL AND IS DISCLOSED TO YOU ON CONDITION THAT YOU WILL NOT REPRODUCE OR DISSEMINATE IT TO ANY OTHER PERSONS WITHOUT THE WRITTEN PERMISSION OF TYCO ELECTRONICS (BERMUDA) LTD. DIMENSIONS IN MILLIMETERS. DO NOT SCALE PRINT.

PRINT DW



RECOMMENDED P.C.B. LAYOUT (TOP VIEW)



- NOTE :
- MATERIAL
 - COVER : COPPER ALLOY.
 - HOUSING : HIGH TEMPERATURE THERMOPLASTIC, UL 94V-0, BLACK COLOR.
 - CONTACT : COPPER ALLOY.
 - SHELL : COPPER ALLOY.
 - FINISH
 - CONTACT : GOLD PLATED(SEE TABLE) ON CONTACT AREA OVER, TIN/LEAD PLATED ON SOLDERTAIL, NICKEL UNDERPLATING OVER ALL.
 - SHELL : GOLD FLASH ON SOLDERTAIL, NICKEL UNDERPLATING OVER ALL.
 - GENERAL TOLERANCES : DIM. ± 0.20
 - PCB TOLERANCES : DIM. ± 0.05
 - QUALIFICATION TEST REPORT : 501-57068

NO	DESCRIPTION	MIN. GOLD THICKNESS	PART NUMBER
6P6C	15μ"	440208-5	
6P2C	15μ"	440208-4	
6P2C	10μ"	440208-3	
6P2C	5μ"	440208-2	
6P2C	G/F	440208-1	

REV	DESCRIPTION	DATE	BY	CHK
C	-2 & -3 REVISED	FZ00-0252-04	JL SH	10NOV 2004
B	ADD -5	FZ00-0067-03	AW SH	24MAR 2003
A	REVISED	FZ00-0130-01	OH JC	10DEC 2001
O	REVISION RECORD	FW00-0100-00	SH JC	01DEC 2000
LTR	REVISION RECORD	ECN	DWN CHN	DATE

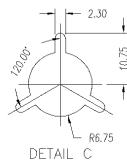
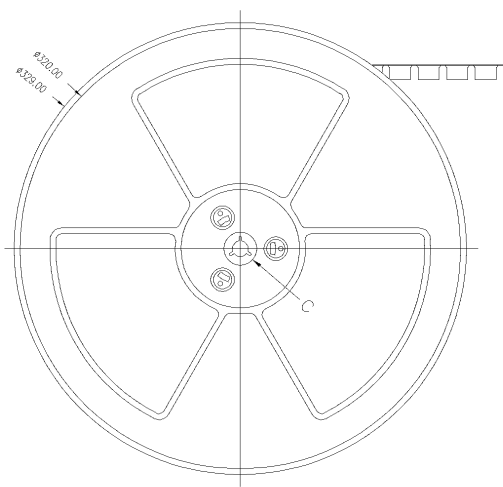
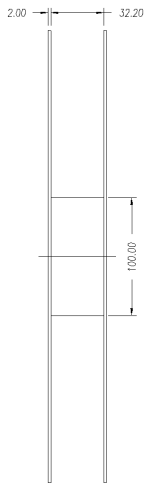
TOLERANCES UNLESS OTHERWISE SPECIFIED:	DWN	J. LEE	TYCO ELECTRONICS
0 PLC ±	02-NOV-2004	S. HOU	TYCO HOLDINGS (BERMUDA) VII LTD. TAIWAN BRANCH
1 PLC ±0.2			
2 PLC ±			
3 PLC ±			
ANGLES ±			
MATERIAL	APVD	W.J. KE	NAME
SEE NOTE	PRODUCT SPEC	02-NOV-2004	MODULAR JACK , RJ11, SMT TYPE
FINISH	108-57117		
SEE NOTE	APPLICATION SPEC		
WEIGHT	SCALE		

NUMBER C-440208



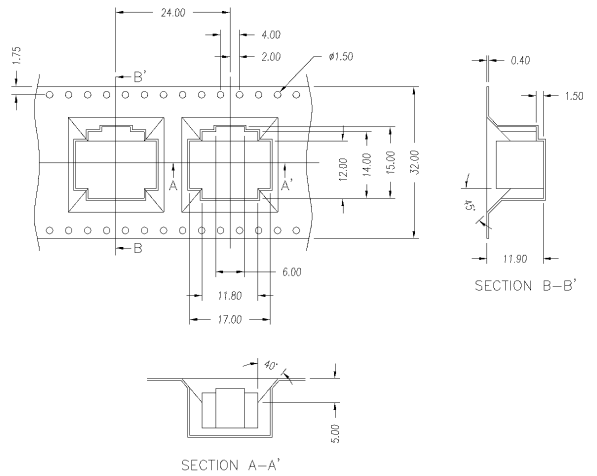
METRIC

THIS INFORMATION IS CONFIDENTIAL AND IS DISCLOSED TO YOU ON CONDITION THAT YOU WILL NOT REPRODUCE, COPY, OR TRANSMIT IT TO ANY OTHER PERSON OR ENTITY WITHOUT THE WRITTEN PERMISSION OF TYCO HOLDINGS (BERMUDA) LTD. ALL DIMENSIONS IN MILLIMETERS. DO NOT SCALE PRINT.



NOTE :

1. 200PCS/REEL
2. 1800PCS/CARTON
3. GROSS WT. 3.6 KG/CARTON



TOLERANCES UNLESS OTHERWISE SPECIFIED: 0 PLC ± 1 PLC ±0.2 2 PLC ± 3 PLC ± ANGLES ±	DWN J. LEE 02-NOV-2004 CHK S. HOU 02-NOV-2004 APVD W.J. KE 02-NOV-2004	tyco TYCO HOLDINGS (BERMUDA) Electronics VII LTD. TAIWAN BRANCH
MATERIAL SEE NOTE	PRODUCT SPEC	NAME MODULAR JACK , RJ11, SMT TYPE
FINISH SEE NOTE	APPLICATION SPEC WEIGHT	LOC DW A SCALE --
LTR REVISION RECORD ECN DWN CHK DATE		DRAWING NO C-440208 SHEET 2 OF 2

SEE SHEET 1.			
LTR	REVISION RECORD	ECN	DWN CHK DATE

CUSTOMER DRAWING 1

D
C
B
A