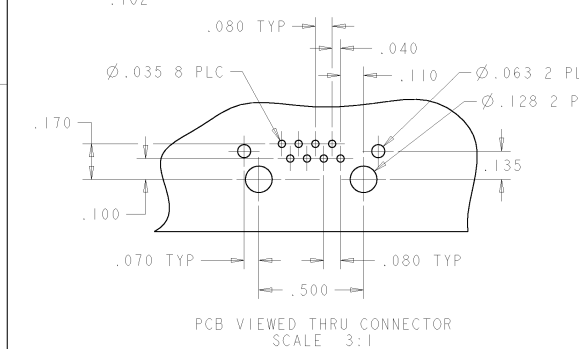
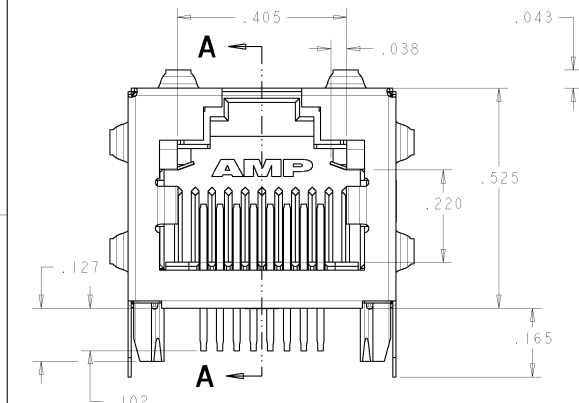
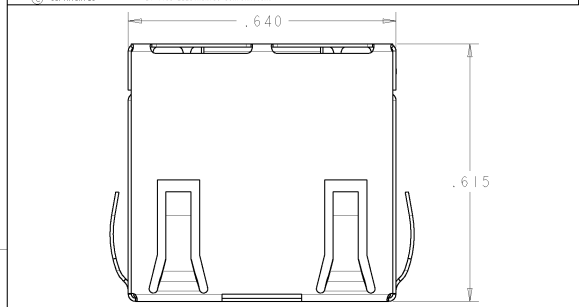
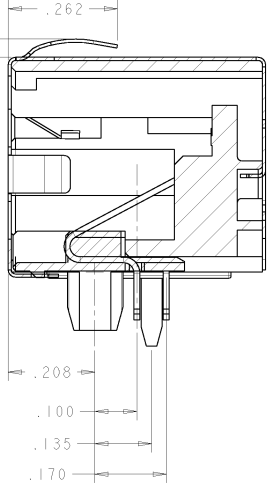
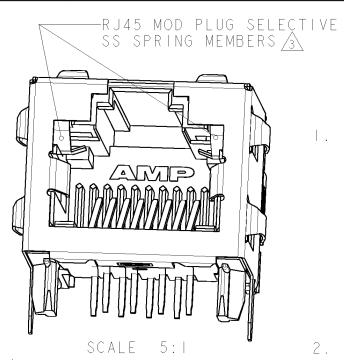


THIS DRAWING IS UNPUBLISHED. RELEASED FOR PUBLICATION BY TYCO ELECTRONICS CORPORATION. ALL RIGHTS RESERVED.



PCB VIEWED THRU CONNECTOR SCALE 3:1



SECTION A-A

REV	DATE	BY	CHKD	DESCRIPTION
A	09MAY2005	LAM	SF	ECO-06-0201-04
B	09MAY2006	LAM	JW	ECO-06-020040

- MATERIAL:
HOUSING -- COLOR: BLACK, HIGH TEMPERATURE THERMOPLASTIC, PER UL94V-0; IR REFLOW SOLDERING PROCESS COMPATIBLE
TERMINALS -- .014 THICK PHOSPHER BRONZE
PLATING -- .000050 INCHES GOLD IN CONTACT AREA, .000150 INCHES MATTE TIN ON SOLDER TAILS, ALL OVER .000050 INCHES OF NICKEL
SHIELD -- .0077 THICK COPPER ZINC ALLOY, PREPLATED WITH .000050 INCHES MIN SATIN NICKEL WITH .000080 INCHES MIN TIN POST DIPPED ON PCB GROUND TABS
- JACK CAVITY CONFORMS TO FCC RULES AND REGULATIONS PART 68, SUBPART F

⚠ RJ45 MOD PLUG SELECTIVE -- THIS CONNECTOR UTILIZES 2 STAINLESS STEEL SPRING MEMBERS WHICH PREVENT THE INSERTION OF A RJ11 (6 POSITION) PLUG INTO THE JACK PORT, WHILE ALLOWING A RJ45 (8 POSITION) PLUG TO MATE FREELY

WARNING: THIS FEATURE WAS DEVELOPED FOR TYPICAL PLUG INSERTION FORCES. EXCESSIVE INSERTION FORCE MAY OVERCOME THE SELECTIVE FEATURES AND DAMAGE THE CONNECTOR

NONE	6364288-4
AS SHOWN	6364288-1
TYCO LOGO	PART NUMBER

DIMENSIONS: INCHES		OWN: J. A. MAYER	DATE: 09MAY2005		Tyco Electronics Harrisburg, PA 17105-3600
D: .035 8 PLC E: .035 8 PLC F: .035 8 PLC G: .035 8 PLC H: .035 8 PLC I: .035 8 PLC J: .035 8 PLC K: .035 8 PLC L: .035 8 PLC M: .035 8 PLC N: .035 8 PLC O: .035 8 PLC P: .035 8 PLC Q: .035 8 PLC R: .035 8 PLC S: .035 8 PLC T: .035 8 PLC U: .035 8 PLC V: .035 8 PLC W: .035 8 PLC X: .035 8 PLC Y: .035 8 PLC Z: .035 8 PLC		APP: WESTMAN	DATE: 09MAY2005		
MATERIAL: SEE NOTE 1		PRODUCT SPEC: 108-1163-4	APPLICATION SPEC: 114-2154	INVERTED MOD JACK ASSEMBLY, 1 X 1, SHIELDED, PANEL GROUND, RJ45 MOD PLUG SELECTIVE CAPABILITY	
WEIGHT: SEE NOTE 1		WEIGHT: -	WEIGHT: -	SIZE: A200779	CASE CODE: 6364288 DRAWING NO: 6364288 RESTRICTED TO: -

AMP 1471-B REV 01MAR2000
PFA/ENGINEER DRAWING

6364288

A