

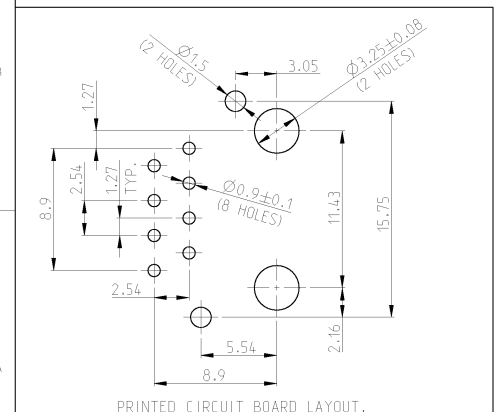
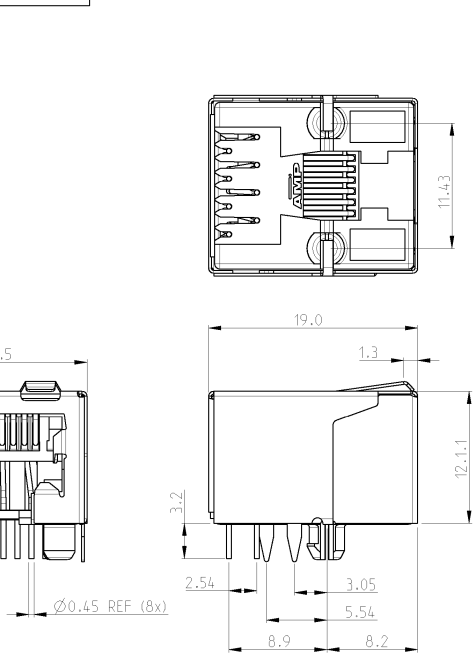
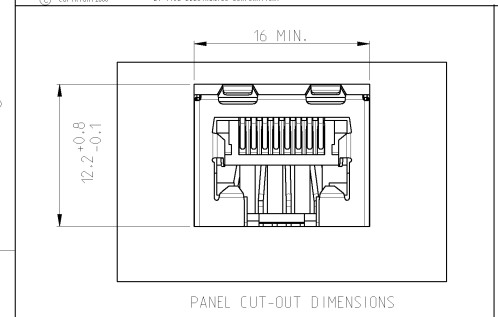
SCALE: 1:1

LOC	DISP	REV	DESCRIPTION	DATE	BY	CHKD
H	-	A	EH10-0268-05	25FEB05	PW	JB

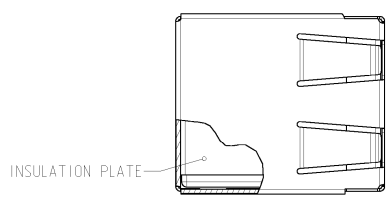
PACKAGING	REMARKS	DESCRIPTION	MATERIAL	P/N														
PACKAGED 190 PIECES IN A TRAY	8 POS. 8 CONT.	IN CONTACT AREA: 1.2 µm MIN. SEL. GOLD OVER 1.2 µm MIN. NICKEL SOLDER TINNES: 2.5 µm MIN. TIN OVER 1.2 µm NICKEL	HOUSING: PBT UL 94 V-0 BLACK CONTACTS: PHOSPHOR BRONZE SHIELD: PHOSPHOR BRONZE PRE-PLATED (BRIGHT TIN)	2-5338556-1														
DIMENSIONS: mm		DATE: 25-Feb-05 BY: E.W.Lillems CHKD: E.Groutels APPV: 25-Feb-05 PRODUCT CODE: 108-19064 APPLICATION SPEC: 114-19019 WEIGHT: 40.30	<table border="1"> <tr> <td>COMPANY:</td> <td>Tyco Electronics</td> </tr> <tr> <td>ADDRESS:</td> <td>%Hertogenbosch, Holland</td> </tr> <tr> <td>NAME:</td> <td>8 pos. Modular Jack Side Entry fully shielded with insulation plate</td> </tr> <tr> <td>SIZE:</td> <td>A2</td> </tr> <tr> <td>CASE CODE:</td> <td>00778</td> </tr> <tr> <td>DRAWING NO:</td> <td>5338556</td> </tr> <tr> <td>RESTRICTED TO:</td> <td></td> </tr> </table>		COMPANY:	Tyco Electronics	ADDRESS:	%Hertogenbosch, Holland	NAME:	8 pos. Modular Jack Side Entry fully shielded with insulation plate	SIZE:	A2	CASE CODE:	00778	DRAWING NO:	5338556	RESTRICTED TO:	
COMPANY:	Tyco Electronics																	
ADDRESS:	%Hertogenbosch, Holland																	
NAME:	8 pos. Modular Jack Side Entry fully shielded with insulation plate																	
SIZE:	A2																	
CASE CODE:	00778																	
DRAWING NO:	5338556																	
RESTRICTED TO:																		
MATERIAL: FINISH:		CUSTOMER DRAWING																
		SCALE: 4:1	SHEET 1	OF 2														
		REV A																

AMP 1471-1 REV 30MAR2000
PLOT/ENGINEER DRAWING

REV. NO.	DATE	DESCRIPTION	BY	CHKD	APPD
1		SEE SHEET 1			



(VIEW SHOWN IS CIRCUIT (NONCOMPONENT) SIDE OF BOARD.)
 PRINTED CIRCUIT BOARD THICKNESS: 1.6 mm NOMINAL.
 TOLERANCE UNLESS OTHERWISE SPECIFIED: ± 0.15 mm.



PACKAGING	REMARKS	DESCRIPTION	MATERIAL	P/N
PACKAGED 190 PIECES IN A TRAY	8 POS. 8 CONT.	IN CONTACT AREA: 1.2 µm MIN. SEL. GOLD OVER 1.2 µm MIN. NICKEL SOLDER TINES: 2.5 µm MIN. TIN OVER 1.2 µm NICKEL	HOUSING: PBT UL 94V-0 BLACK CONTACTS: PHOSPHOR BRONZE SHIELD: PHOSPHOR BRONZE PRE-PLATED BRIGHT TIN	3-5338556-1
DIMENSIONS: mm		DATE: 25-Feb-05 BY: E.W. Lillens CD: E. Grools APPV: 25-Feb-05	Tyco Electronics %Hertogenbosch, Holland 8 pos. Modular Jack Side Entry fully shielded with insulation plate	
MATERIAL: -		PRODUCT SPEC: 108-19064 APPLICATION SPEC: 114-19019	SHEET: A2 CASE CODE: 00778 DRAWING NO: 5338556 RESTRICTED TO: -	
FINISH: -		WEIGHT: -	SCALE: 4:1 SHEET: 2 OF 2 REV: A	