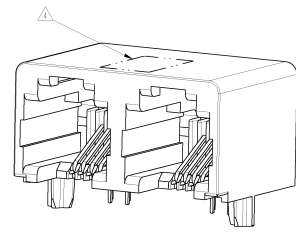
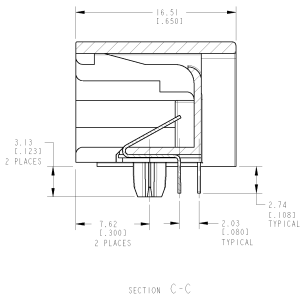
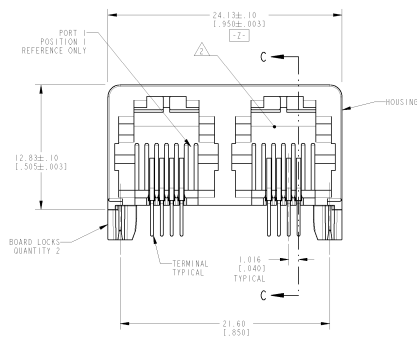
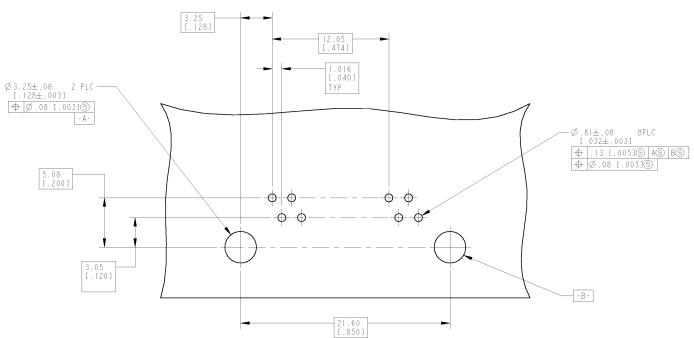


8	7	6	5	4	3	2	1
DATE REVISIONS TO BE MAINTAINED BY THE CUSTOMER	REVISIONS FOR MANUFACTURE						
AA	CONFIDENTIAL	BY THE ELECTRONICS CORPORATION, ALL RIGHTS RESERVED					

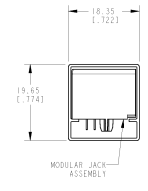
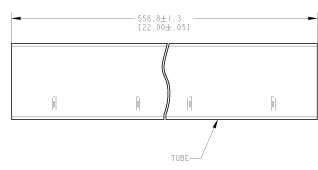
REV	DATE	DESCRIPTION	BY	CHKD	APPD
1					
2					
3					
4					
5					
6					
7					
8					
9					
10					
11					
12					
13					
14					
15					
16					
17					
18					
19					
20					
21					
22					
23					
24					
25					
26					
27					
28					
29					
30					
31					
32					
33					
34					
35					
36					
37					
38					
39					
40					
41					
42					
43					
44					
45					
46					
47					
48					
49					
50					
51					
52					
53					
54					
55					
56					
57					
58					
59					
60					
61					
62					
63					
64					
65					
66					
67					
68					
69					
70					
71					
72					
73					
74					
75					
76					
77					
78					
79					
80					
81					
82					
83					
84					
85					
86					
87					
88					
89					
90					
91					
92					
93					
94					
95					
96					
97					
98					
99					
100					



- △ MATERIAL - HOUSING-HIGH TEMPERATURE THERMOPLASTIC, BLACK
- TERMINALS-0.31 (012) THICK COPPER ALLOY PLATED WITH 1.27µm (0.00050) MINIMUM THICK GOLD IN LOCALIZED GOLD PLATE AREA, 2.5µm (0.00010) MINIMUM MATTE TIN ON TERMINATION END, BOTH OVER 1.27µm (0.00050) MINIMUM NICKEL OVER ENTIRE TERMINAL.
- △ JACK CAVITY CONFORMS TO FCC RULES AND REGULATIONS, PART 68 SUBPART F.
- △ PACKAGING-MATERIAL: ANTI-STATIC, RIGID EXTRUDED, TRANSPARENT PLASTIC TUBE
- 558.82±.13 (22.02±.051) LONG
- 32 PIECES PER TUBE. SEE DETAIL D
- △ MANUFACTURING DATE CODE LOCATED APPROXIMATELY AS SHOWN. FIRST 2 DIGITS ARE YEAR, SECOND 2 DIGITS ARE WORK WEEK, LAST DIGIT IS THE DAY OF THE WEEK.
- △ MATERIAL - HOUSING - HIGH TEMPERATURE THERMOPLASTIC, COLOR: BLACK
- TERMINALS-0.31 (012) THICK COPPER ALLOY PLATED WITH 0.38 µm (0.00015) GOLD IN LOCALIZED GOLD PLATE AREA, 2.5 µm (1.00000) MINIMUM MATTE TIN ON TERMINATION END, BOTH OVER 1.27 µm (1.00000) MINIMUM NICKEL OVER ENTIRE CONTACT
- △ OBSOLETE PARTS: OBSOLETE CIS STREAMLING PER D.RENAUD/D.SINIS



RECOMMENDED PRINTED
CIRCUIT BOARD LAYOUT
COMPONENT SIDE VIEWED FROM TOP
THICKNESS 1.511 (0.62)



△ OBSOLETE	△	△	△
	PLATING	PACKAGING	PART NUMBER
			54669041

100% INSPECTION REQUIRED FOR ALL PARTS ALL DIMENSIONS UNLESS OTHERWISE SPECIFIED DIMENSIONS IN PARENTHESES ARE TYPICAL		100% INSPECTION REQUIRED FOR ALL PARTS ALL DIMENSIONS UNLESS OTHERWISE SPECIFIED DIMENSIONS IN PARENTHESES ARE TYPICAL	100% INSPECTION REQUIRED FOR ALL PARTS ALL DIMENSIONS UNLESS OTHERWISE SPECIFIED DIMENSIONS IN PARENTHESES ARE TYPICAL
DRAWING NO. 54669041 REV. 001 DATE 08/11/00 BY: J. J. J.	PART NO. 54669041 REV. 001 DATE 08/11/00 BY: J. J. J.	MANUFACTURER: AMP PART NO.: 54669041 REV.: 001 DATE: 08/11/00 BY: J. J. J.	CUSTOMER DRAWING: A PART NO.: 54669041 REV.: 001 DATE: 08/11/00 BY: J. J. J.