

4

3

2

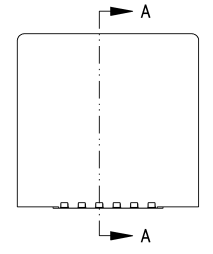
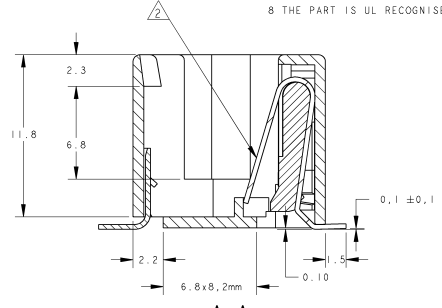
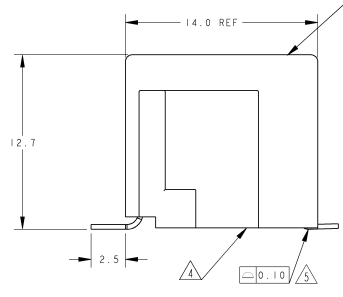
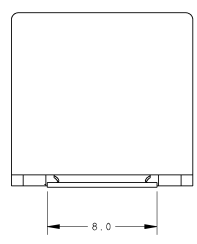
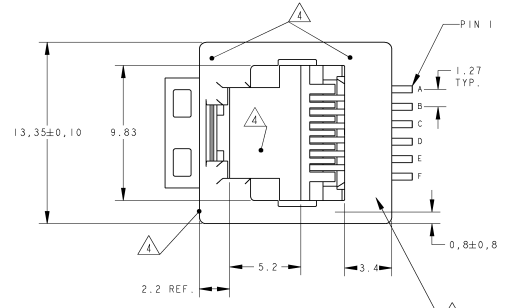
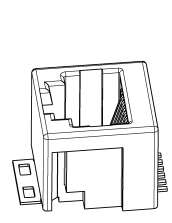
1

THIS DRAWING IS UNPUBLISHED. RELEASED FOR PUBLICATION. BY TYCO ELECTRONICS CORPORATION. ALL RIGHTS RESERVED.

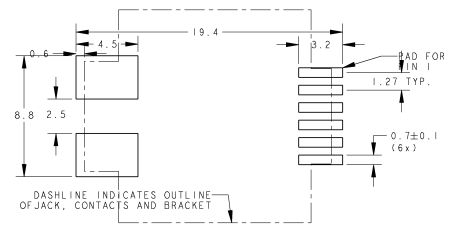
| LOC | | DIST | | REVISIONS | | DATE | OWN | APPD |
|-----|-----|------|--|---------------|--|-----------|------|------|
| F | LTN | | | DESCRIPTION | | | | |
| A | | | | First Issue | | 28JAN2004 | JvdH | JB |
| B | | | | ECR-06-029668 | | 19DEC2004 | PCH | JB |
| C | | | | ECR-07-011392 | | 28JUL2007 | PCH | JB |
| C1 | | | | ECR-09-011347 | | 30B02009 | PS | PCH |

NOTES:

- 1 TOLERANCES UNLESS OTHERWISE SPECIFIED: ±0,15
- 2 CONTACT PLATING:
1,27µm MIN. GOLD SELECTIVE IN CONTACT AREA.
OVER 1,27µm MIN. NICKEL.
- 3 3,5-5,0µm MIN. MATTE TIN ON SOLDER TINES.
- 4 MATERIALS:
-HOUSING: 30% G.F. PA 9T, COLOR BLACK, UL 94V-0.
-CONTACTS: PHOSPHOR BRONZE.
-SOLDER BRACKET: TINPLATED BRASS WITH NICKEL UNDERPLATE.
- 5 SURFACE CAN BE USED FOR PICKING THE MODULAR JACK WITH TYPE II SMD MACHINE.
- 6 COPLANARITY MEASURED AT HEEL OF CONTACTS.
- 7 TAPE AND REEL PACKAGING ACCORDING TO EIA 481-3 SPECIFICATIONS.
- 8 CONTACT PLATING:
0,76µm MIN. GOLD SELECTIVE IN CONTACT AREA.
OVER 1,27µm MIN. NICKEL.
- 9 3,5-5,0µm MIN. MATTE TIN ON SOLDER TINES.
- 8 THE PART IS UL RECOGNISED IN E81956 VOL.5 SEC.3.



PRINTED CIRCUIT BOARD LAYOUT
REQUIRED SOLDER PASTE
THICKNESS 0,1mm MIN.



DASHLINE INDICATES OUTLINE
OF JACK, CONTACTS AND BRACKET

| | | |
|---|--|--|
| 6 POS./6 CONT. | 300 PCS ON Ø360mm OD REEL. TOP ENTRY ORIENTATION PER DETAIL B | 1857381-2 |
| REMARKS | FINISH PACKAGING | PART NUMBER 1857381-1 |
| DIMENSIONS: mm TOLERANCES: 0-100µm: ±0,15 100-1000µm: ±0,25 1-10mm: ±0,5 ANGLES: FINISH | | DATE: 04 NOV 2005 BY: J.V.D. HEIJEN CHK: M. OPPIERS APPR: 04 NOV 2005 TYP: BROEKSTIG |
| MATERIAL: SEE NOTE 3. | | TYCO Electronics TYCO ELECTRONICS NEDERLAND B.V. 's-HERTOGENBOSCH, THE NETHERLANDS |
| NAME: MODULAR JACK ON BOARD SMT 6/6 POSITION VERSION. | | FILE: A2 CASE CODE: 00779 DRAWING NO: 1857381 |
| WEIGHT: 1,83 gr CUSTOMER DRAWING | | RESTRICTED TO: - SCALE: 1:1 SHEET: 1 OF 2 REV: C |

4

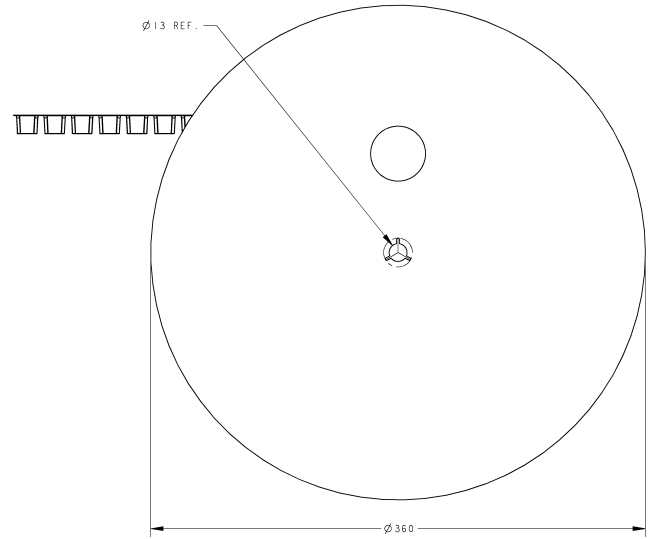
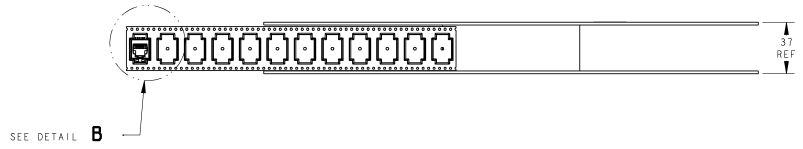
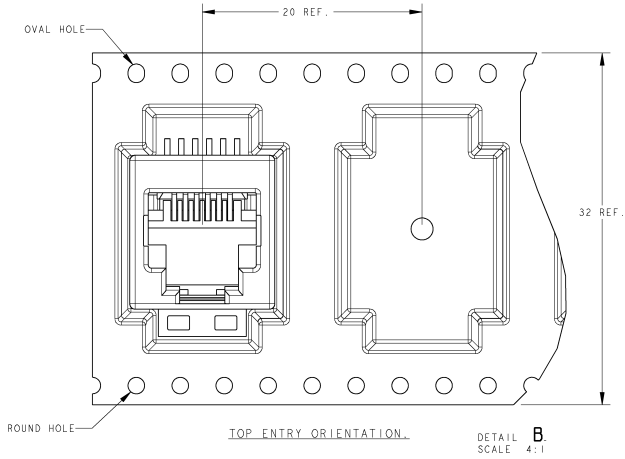
3

2

1

THIS DRAWING IS UNPUBLISHED. RELEASED FOR PUBLICATION
 BY TYCO ELECTRONICS CORPORATION. ALL RIGHTS RESERVED.

| LOC | DIST | REV | DESCRIPTION | DATE | OWN | APPD |
|-----|------|-----|-------------|------|-----|------|
| H | - | 1 | See sheet 1 | - | - | - |



| | | | |
|--|--|--|--|
| DIMENSIONS: mm | | DWN 04 NOV 2005 J.V.D. HEIJEN CHK 04 NOV 2005 M. OPPER APPD 04 NOV 2005 J. BOEKSTIG | TYCO ELECTRONICS NEDERLAND B.V. 's-HERTOGENBOSCH, THE NETHERLANDS |
| MATERIAL FINISH | | PRODUCT SPEC APPLICATION SPEC WEIGHT CUSTOMER DRAWING | NAME MODULAR JACK ON BOARD SMT 6/6 POSITION VERSION. |
| SHEET A2 CASE CODE 00779 DRAWING NO. 1857381 | | RESTRICTED TO SCALE 1:1 SHEET 2 OF 2 REV C | |

AMP 1471-9 REV 31MAR2000