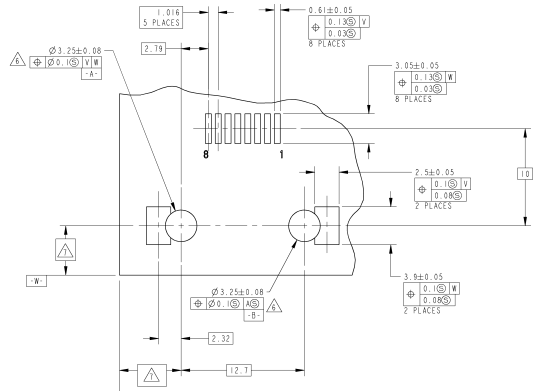
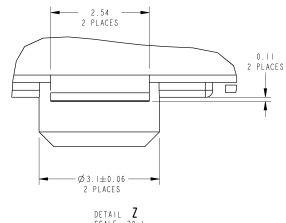
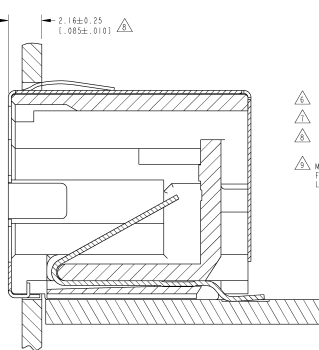
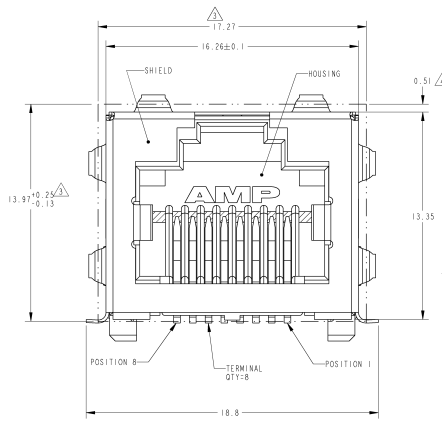
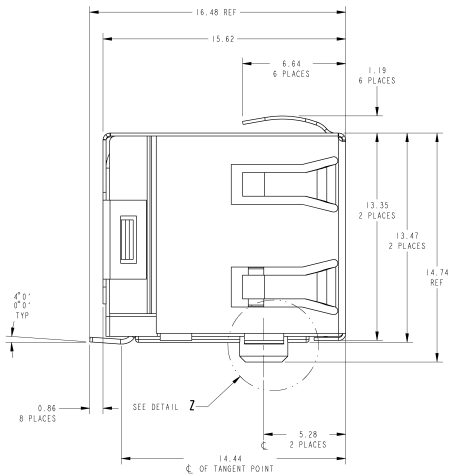
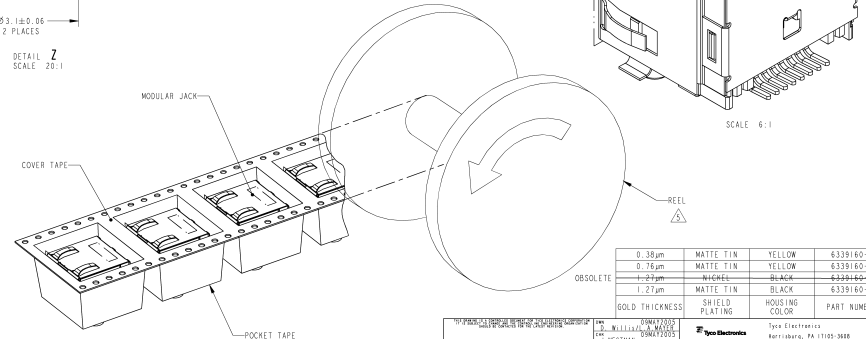


THIS DRAWING IS CONTROLLED BY THE ELECTRONICS COMPANY. ALL RIGHTS RESERVED.



SUGGESTED PCB LAYOUT
(COMPONENT SIDE)



REV	DATE	DESCRIPTION	DATE	BY	CHK	APP
AA	00					
A	ECO-01-0291-04			DMANOS	LM	SF
B	ECO-01-018388			DMANOS	LM	PR
C	ECO-01-025337			DMANOS	LM	PR
C1	ECO-10-011831			DMANOS	PS	PKS

- MATERIAL:
 - HOUSING - HIGH TEMP. THERMOPLASTIC, COLOR: SEE TABLE, UL94V-0
 - TERMINALS - 0.30 THICK PHOS BRONZE PLATED WITH 2.03µm MIN THICK MATTE TIN IN SOLDER AREA
 - GOLD (SEE TABLE) IN LOCALIZED PLATE AREA OVER 1.27µm MIN THICK NICKEL
 - SHIELD - (SEE TABLE) 0.156 THK BRSS PREPLATED WITH 2.03µm-3.81µm THICK MATTE TIN OVER 0.76µm-2.03µm NICKEL
 - UNDERPLATE: ON 0.10-0.13µm NICKEL WITH SELECTIVE TIN PLATED-SOLDER TABS
 - JACK CAVITY CONFORMS TO FCC RULES AND REGULATIONS PART 68, SUBPART F.
 - SUGGESTED PANEL OPENING DIMENSIONS: SEE APPLICATION SPEC: 114-254 FOR PANEL THICKNESS AND POSITION RECOMMENDATIONS
 - SUGGESTED CLEARANCE BETWEEN TOP OF CONNECTOR AND TOP PANEL OPENING
 - PACKAGED: POCKET TAPE & REEL (PER EIA 481 SPECIFICATIONS)
 - POCKET TAPE WIDTH - 4mm
 - POCKET PITCH - 24mm
 - POCKET DEPTH - 16.7mm
 - CLEAR COVER TAPE, PSA
 - CLEAR COVER TAPE TRAILER - 1220mm, WRAPPED ON REEL HUB
 - PLASTIC REEL - 381mm DIAMETER
 - PRODUCT QUANTITY - 200 PIECES PER REEL
- ZERO INSERTION FORCE POST WITH RECOMMENDED PCB LAYOUT
 - DATUM ESTABLISHED BY CUSTOMER.
 - CONNECTOR SHOULD BE POSITIONED THRU PANEL CUTOUT AS SHOWN TO SUPPORT TOP OF MODULAR JACK FOR STRAIN RELIEF.
 - MANUFACTURING DATE CODE LOCATED APPROXIMATELY AS SHOWN. FIRST 2 DIGITS ARE YEAR, SECOND 2 DIGITS ARE WORK WEEK, LAST DIGIT IS THE DAY OF THE WEEK.

Ø	THICKNESS	SHIELD PLATING	HOUSING COLOR	PART NUMBER
0.38µm	MATTE TIN	YELLOW		6339160-4
0.76µm	MATTE TIN	YELLOW		6339160-3
0.76µm	NICKEL	BLACK		6339160-2
1.27µm	MATTE TIN	BLACK		6339160-1
				OBsolete

DESCRIPTION	DATE	BY	CHK	APP
INVERTED MOD JACK ASSEMBLY, I XI, SHIELDED SURFACE MOUNT, 8 POSITION PLACES	114-0240	DMANOS	LM	SF
MATERIAL: SEE NOTE 1	DATE: 00779	SCALE: 6:1	REV: 1	APP: C
REVISION: SEE NOTE 1	DATE: 00779	SCALE: 6:1	REV: 1	APP: C
CUSTOMER DRAWING				