

4

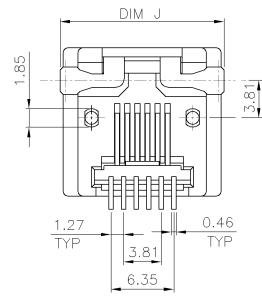
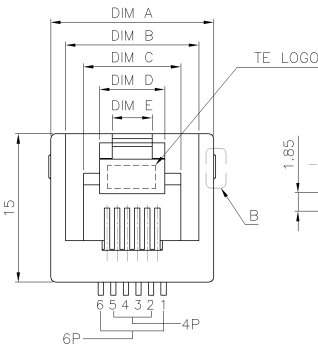
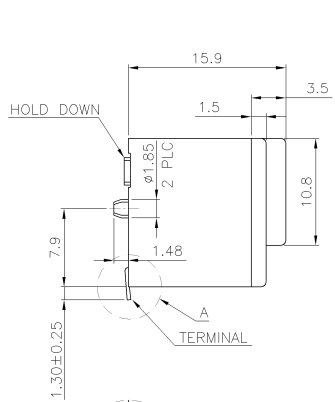
3

2

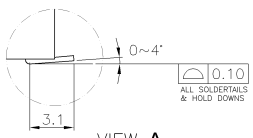
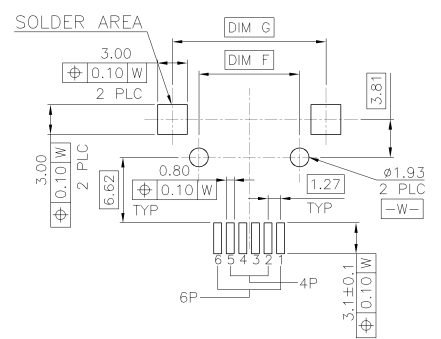
1

THIS DRAWING IS UNPUBLISHED. RELEASED FOR PUBLICATION
 © COPYRIGHT BY TYCO ELECTRONICS CORPORATION. ALL RIGHTS RESERVED.

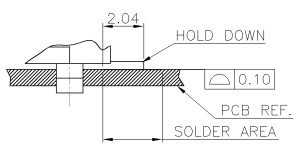
LOC	DIST	REVISIONS			
P	LTR	DESCRIPTION	DATE	DWN	APVD
A		ECR-07-026553, ADD NEW DASH P/N FOR PICK CAP	09NOV07	OH	WK
A1		REV PER ECO-09-026495	28NOV09	KK	AEG



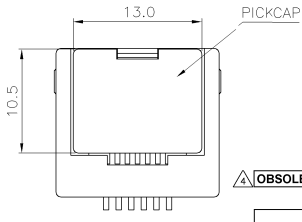
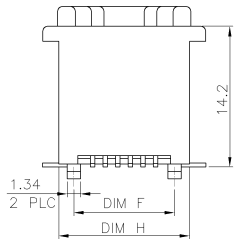
BOTTOM VIEW



VIEW A



VIEW B



TOP VIEW

OBsolete
OBsolete

DIM J	DIM H	DIM G	DIM F	DIM E	DIM D	DIM C	DIM B	DIM A	RJ11	PICK CAP	MIN. GOLD THICKNESS	PART NUMBER
16.5	13.10	15.50	10.16	4.06	6.60	9.87	13.60	16.46	6P6C	WITH	50µ	1-1734858-8
											30µ	1-1734858-7
											15µ	1-1734858-6
											6µ	1-1734858-5
											50µ	1-1734858-4
											30µ	1-1734858-3
											15µ	1-1734858-2
											6µ	1-1734858-1
											50µ	1-1734858-4
											30µ	1-1734858-3
											15µ	1-1734858-2
											6µ	1-1734858-1

NOTE:
 1. MATERIAL:
 HOUSING: PA46 WITH 30% GF, UL 94V-0, BLACK COLOR.
 CONTACTS: PHOSPHOR BRONZE.
 HOLD DOWN: COPPER ALLOY.

2. FINISH:
 CONTACTS: (SEE TABLE) GOLD PLATED ON CONTACT AREA,
 GOLD FLASH ON SOLDER TAIL, WITH ENTIRE CONTACT
 UNDERPLATED 1.27µm [50µ] MIN. NICKEL.
 HOLD DOWN: 2.54µm [100µ] MIN. MATTE-TIN UNDERPLATED OVER ALL.

3. REFLOW SOLDER CAPABLE TO 260°C PER TE SPEC.
 109-201, CONDITION B.

OBsolete PARTS: OBsolete CIS STREAMLINING PER D.RENAUD/D.SINISI

THIS DRAWING IS A CONTROLLED DOCUMENT.

DIMENSIONS: MM	TOLERANCES UNLESS OTHERWISE SPECIFIED:	DWN O. HOU 06NOV2007	CHK S. HOU 06NOV2007	Tyco Electronics Tyco Electronics Corporation Toipei, Taiwan		
0 PLC ± 0.50	1 PLC ± 0.30	APVD W. KODAMA 06NOV2007	NAME		MODULAR JACK, RJ45/RJ11 TOP ENTRY, SMT TYPE	
2 PLC ± 0.20	3 PLC ± 0.10	PRODUCT SPEC	108-57464			
4 PLC ± -	ANGLES ± -	QUALIFICATION TEST REPORT	501-57546			
MATERIAL SEE NOTE	FINISH SEE NOTE	WEIGHT 3.3 GRAMS	SIZE A3	CAGE CODE 00779	DRAWING NO C=1734858	RESTRICTED TO -
		CUSTOMER DRAWING	SCALE -	SHEET 1 OF 3	REV A1	

4

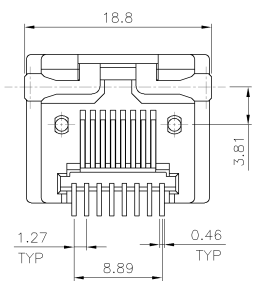
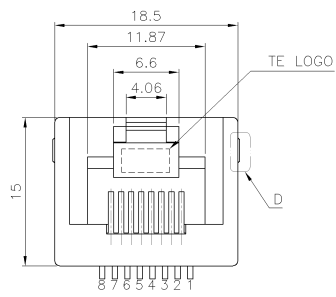
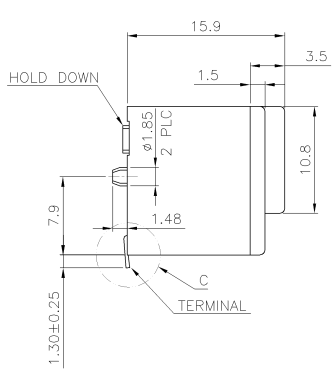
3

2

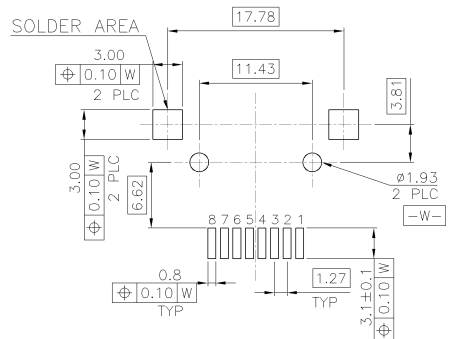
1

THIS DRAWING IS UNPUBLISHED. RELEASED FOR PUBLICATION
 © COPYRIGHT - BY TYCO ELECTRONICS CORPORATION. ALL RIGHTS RESERVED.

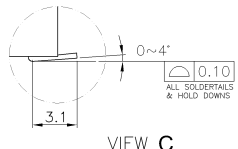
LOC	DIST	REVISIONS					
DW	-	P	LTR	DESCRIPTION	DATE	DWN	APVD
		SEE SHEET 1.					



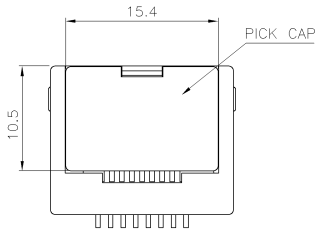
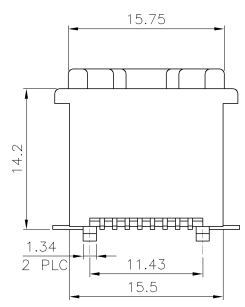
BOTTOM VIEW



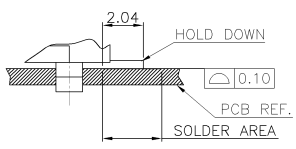
RECOMMENDED PCB LAYOUT (THICKNESS: 1.6mm)
 (DIMENSION TOLERANCE: ±0.05)



VIEW C



TOP VIEW



VIEW D

WITH	8P8C	50μ"	2-1734858-8
		30μ"	2-1734858-7
		15μ"	2-1734858-6
WITHOUT	8P8C	6μ"	2-1734858-5
		50μ"	2-1734858-4
		30μ"	2-1734858-3
PICK CAP	RJ45	15μ"	2-1734858-2
		6μ"	2-1734858-1
		MIN. GOLD THICKNESS	PART NUMBER

- NOTE:
- MATERIAL:
HOUSING: PA46 WITH 30% GF, UL 94V-0, BLACK COLOR.
CONTACTS: PHOSPHOR BRONZE.
HOLD DOWN: PHOSPHOR BRONZE.
 - FINISH:
CONTACTS: (SEE TABLE) GOLD PLATED ON CONTACT AREA,
GOLD FLASH ON SOLDER TAIL, WITH ENTIRE CONTACT
UNDERPLATED 1.27μm [50μ"] MIN. NICKEL.
HOLD DOWN: 2.54μm [100μ"] MIN. MATTE-TIN UNDERPLATED OVER ALL.
 - REFLOW SOLDER CAPABLE TO 260°C PER TE SPEC.
109-201, CONDITION B.

OBsolete PARTS: OBsolete CIS STREAMLINING PER D.RENAUD/D.SINISI

THIS DRAWING IS A CONTROLLED DOCUMENT.		DWN O. HU 06NOV2007	Tyco Electronics Tyco Electronics Corporation Toipei, Taiwan	
DIMENSIONS: MM		CHK S. HOU 06NOV2007	NAME	
TOLERANCES UNLESS OTHERWISE SPECIFIED:		APVD W. KODAMA 06NOV2007	PRODUCT SPEC	
0 PLC ±	1 PLC ±	108-57464		
2 PLC ±	3 PLC ±	APPLICATION SPEC		
4 PLC ±	ANGLES ±	501-57546		
MATERIAL	FINISH	WEIGHT 3.8 GRAMS	SIZE A3	CAGE CODE 00779
		CUSTOMER DRAWING	DRAWING NO C=1734858	RESTRICTED TO
		SCALE - SHEET 2 OF 3		REV A1

4

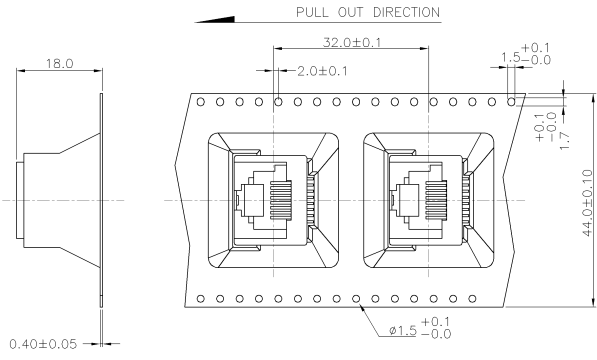
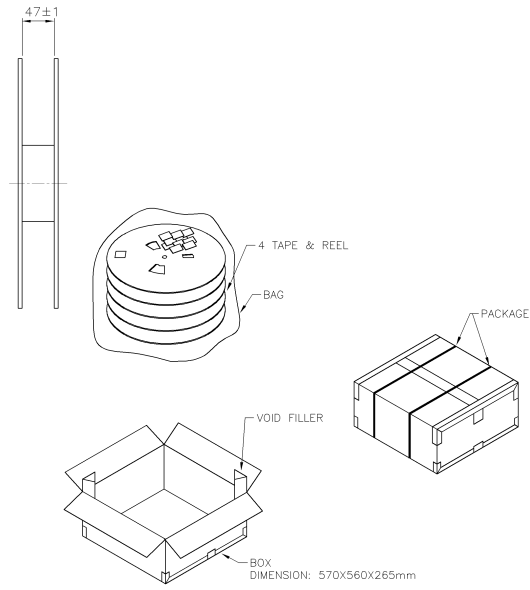
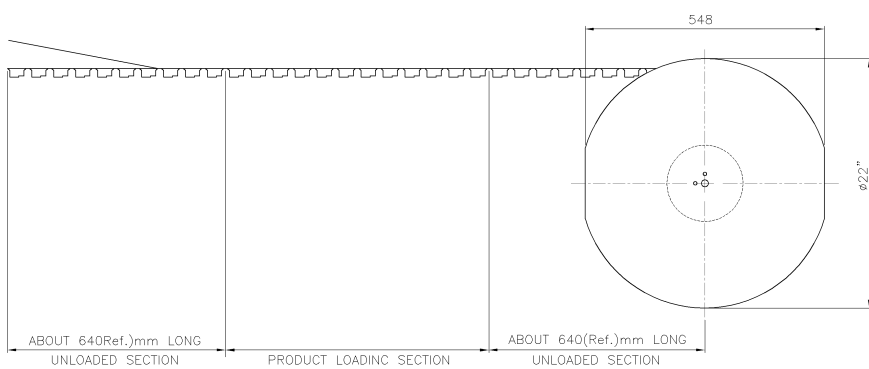
3

2

1

THIS DRAWING IS UNPUBLISHED. RELEASED FOR PUBLICATION
 © COPYRIGHT BY TYCO ELECTRONICS CORPORATION. ALL RIGHTS RESERVED.

LOC	DIST	REVISIONS			
P	LTR	DESCRIPTION	DATE	DWN	APVD
DW	-	SEE SHEET 1.			



1400	350	8PBC	2-1734858-X
1400	350	6P6C	1-1734858-X
1400	350	4P4C	1734858-X
TOTAL(PCS)	PCS/ REEL	RJ45/RJ11	PART NUMBER

* COVER TAPE PEELING FORCE:



THIS DRAWING IS A CONTROLLED DOCUMENT.		DWN O. HU 06NOV2007	Tyco Electronics Tyco Electronics Corporation Toipei, Taiwan	
DIMENSIONS: MM		CHK S. HOU 06NOV2007	NAME	
TOLERANCES UNLESS OTHERWISE SPECIFIED:		APVD W. KODAMA 06NOV2007	MODULAR JACK, RJ45/RJ11 TOP ENTRY, SMT TYPE	
0 PLC ± -		PRODUCT SPEC	SIZE A3	CAGE CODE 00779
1 PLC ± -		APPLICATION SPEC	DRAWING NO C-1734858	RESTRICTED TO
2 PLC ± -		WEIGHT	SCALE	SHEET 3 OF 3
3 PLC ± -		CUSTOMER DRAWING	REV A1	
4 PLC ± -				
ANGLES ± -				
MATERIAL				
FINISH				