

4

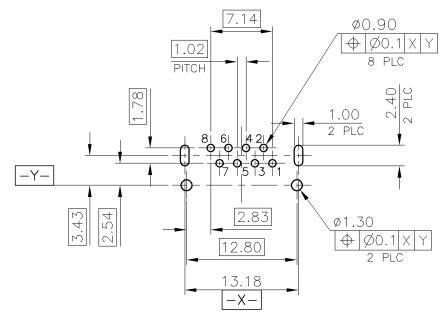
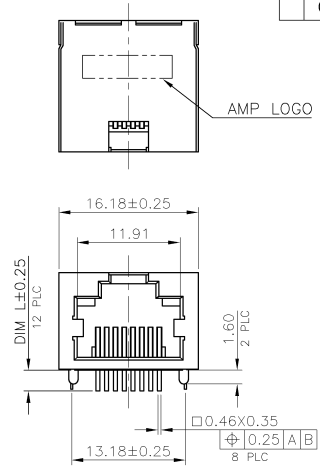
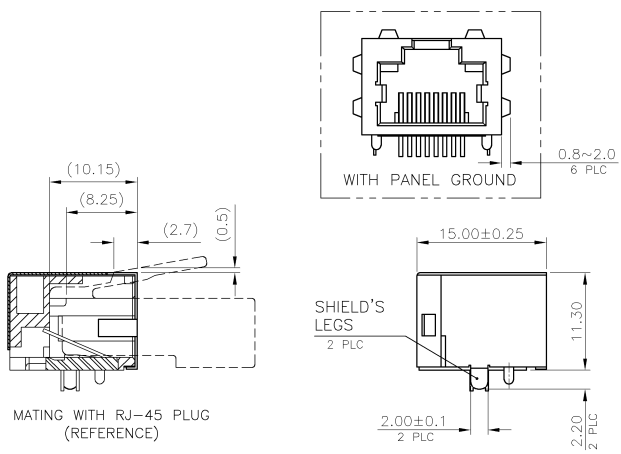
3

2

1

THIS DRAWING IS UNPUBLISHED. RELEASED FOR PUBLICATION  
 © COPYRIGHT 2010 BY TYCO ELECTRONICS CORPORATION. ALL RIGHTS RESERVED.

LOC	DIST	REVISIONS			
P	LTR	DESCRIPTION	DATE	DWN	APVD
C		REVISED (ECR-10-022345 & ECR-11-006485, ADD. NEW P/N 2--2, 3--1, 3--2)	01APR'11	E.L.	W.K.



RECOMMENDED PCB LAYOUT (THICKNESS: 1.6MM)  
 (DIMENSION TOLERANCE: 1 PLC: ±0.1, 2 PLC: ±0.05)

- NOTE:
- MATERIAL:
    - HOUSING: PA9T WITH 30% GF, UL 94V-0, BLACK COLOR.
    - CONTACTS: PHOSPHOR BRONZE.
    - SHELL: BRASS.
  - FINISH:
    - CONTACTS:
      - (SEE TABLE) GOLD PLATED ON CONTACT AREA. GOLD FLASH ON SOLDER TAIL.
      - 1.27µm [50u"] MIN. NICKEL UNDERPLATED OVERALL.
      - 2.2 SHELL: 0.51µm [20u"] MIN. NICKEL PLATED.
    - WAVE SOLDER CAPABLE TO 265°C PER TYCO TEST SPEC. 109-202, CONDITION B.
- ⚠ OBSOLETE PART : OBSOLETE CIS STREAMLINING PER D.RENAUD/D.SINISI

TAPE & REEL	W/O	TRAY	W/O	MIN. GOLD THICKNESS	PART NUMBER
				2.2	6u" 3-1734795-2
				1.5	6u" 3-1734795-1
					50u" 1734795-8
					30u" 1734795-7
					15u" 1734795-6
					6u" 1734795-5
					50u" 1734795-4
					30u" 1734795-3
					15u" 1734795-2
					6u" 1734795-1

⚠ OBSOLETE

THIS DRAWING IS A CONTROLLED DOCUMENT.

DIMENSIONS:	TOLERANCES UNLESS OTHERWISE SPECIFIED:	DWN O. HU 14SEP2007	 <b>TE Connectivity</b> MODULAR JACK CONNECTOR RJ45, 8P8C, SHIELDED TAB UP, DIP TYPE, H=11.3mm			
mm		CHK S. HOU 14SEP2007				
		APVD W.J. KE 14SEP2007				
		NAME				
		PRODUCT SPEC	SIZE	CAGE CODE	DRAWING NO	RESTRICTED TO
		108-57535	A3	00779	C-1734795	
MATERIAL	FINISH	WEIGHT	CUSTOMER DRAWING			
SEE NOTE	SEE NOTE	3.5 GRAMS	SCALE	SHEET	1 of 5	REV C

4

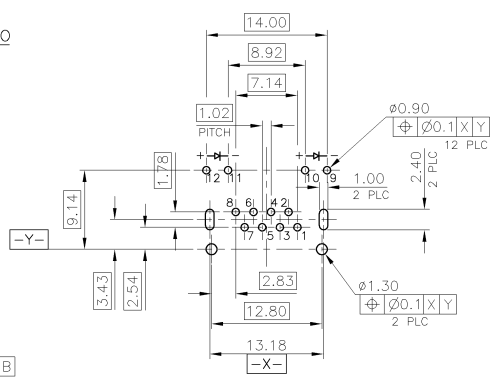
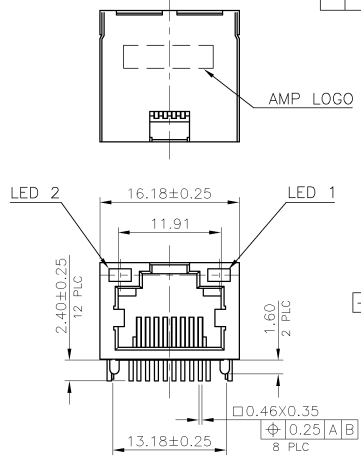
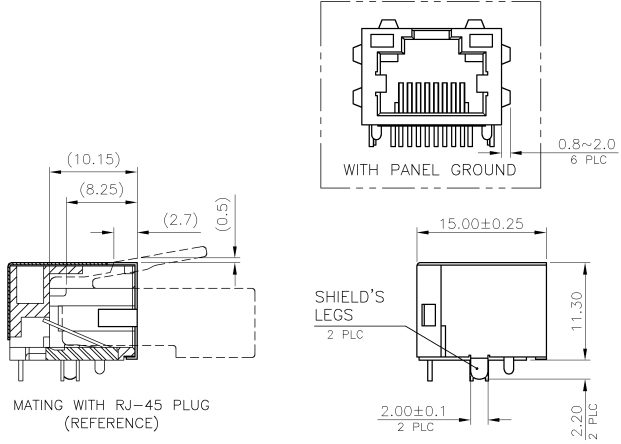
3

2

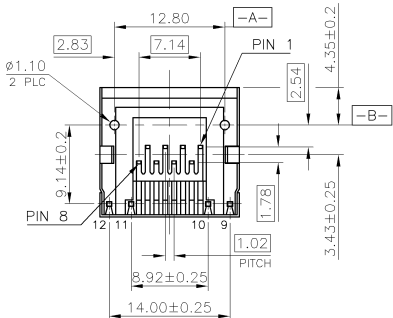
1

THIS DRAWING IS UNPUBLISHED. RELEASED FOR PUBLICATION  
 © COPYRIGHT 2010 BY TYCO ELECTRONICS CORPORATION. ALL RIGHTS RESERVED.

LOC DIST DW P LTR REVISIONS DESCRIPTION DATE DWN APVD  
 SEE SHEET 1.



- NOTE:
- MATERIAL:
    - HOUSING: PA9T WITH 30% GF, UL 94V-0, BLACK COLOR.
    - CONTACTS: PHOSPHOR BRONZE.
    - SHELL: BRASS.
    - LED LIGHT: EPOXY RESIN & STEEL
  - FINISH:
    - CONTACTS:
      - (SEE TABLE) GOLD PLATED ON CONTACT AREA. GOLD FLASH ON SOLDER TAIL.
      - 1.27um [50u"] MIN. NICKEL UNDERPLATED OVERALL.
    - SHELL: 0.51um [20u"] MIN. NICKEL PLATED.
    - LED: 1.02um [40u"] COPPER UNDERPLATED OVERALL.
      - 1.27um [50u"] NICKEL OVERALL.
      - 1.27um [50u"] SILVER ON BONDING AREA.
      - 2.54um [100u"] BRIGHT-TIN ON SOLDER AREA.
  - WAVE SOLDER CAPABLE TO 265°C PER TYCO TEST SPEC. 109-202, CONDITION B.
- ⚠️ OBSOLETE PART : OBSOLETE CIS STREAMLINING PER D.RENAUD/D.SINISI



W/	GREEN	GREEN	15u"	2-1734795-2
			50u"	1-1734795-8
			30u"	1-1734795-7
			15u"	1-1734795-6
			6u"	1-1734795-5
			50u"	<del>1-1734795-4</del>
			30u"	1-1734795-3
			15u"	<del>1-1734795-2</del>
			6u"	1-1734795-1
PANEL GROUND	LED 2	LED 1	MIN. GOLD THICKNESS	PART NUMBER

THIS DRAWING IS A CONTROLLED DOCUMENT.

DIMENSIONS:	TOLERANCES UNLESS OTHERWISE SPECIFIED:	DWN	CHK	APVD	NAME
mm	0 PLC ± -				
	1 PLC ± 0.3				
	2 PLC ± 0.2				
	3 PLC ± 0.15				
	4 PLC ± -				
	ANGLES ± 3°				
MATERIAL	FINISH	WEIGHT	3.5 GRAMS	SIZE	CAGE CODE
SEE NOTE	SEE NOTE			A3	00779
		CUSTOMER DRAWING		DRAWING NO	1734795
				RESTRICTED TO	
				SCALE	SHEET 2 of 5
					REV C

**TE** TE Connectivity

MODULAR JACK CONNECTOR  
 RJ45, 8P8C, SHIELDED  
 TAB UP, DIP TYPE, H=11.3mm

4

3

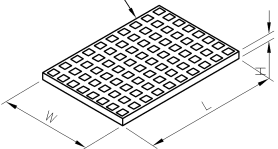
2

1

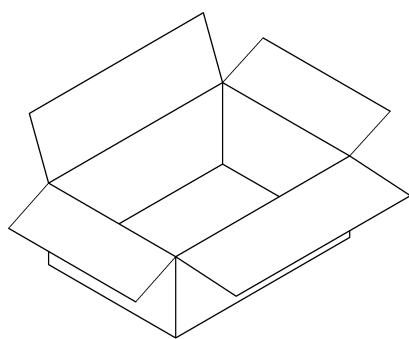
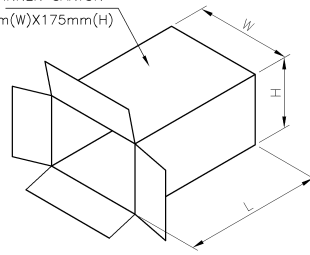
THIS DRAWING IS UNPUBLISHED. RELEASED FOR PUBLICATION  
 © COPYRIGHT 2010 BY TYCO ELECTRONICS CORPORATION. ALL RIGHTS RESERVED.

LOC	DIST	REVISIONS				
P	LTR	DESCRIPTION	DATE	DWN	APVD	
SEE SHEET 1.						

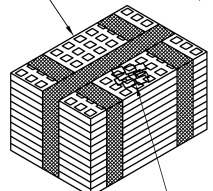
TRAY  
 325mm(L)X216mm(W)X17.5mm(H)



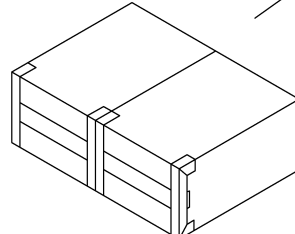
INNER CARTON  
 345mm(L)X240mm(W)X175mm(H)



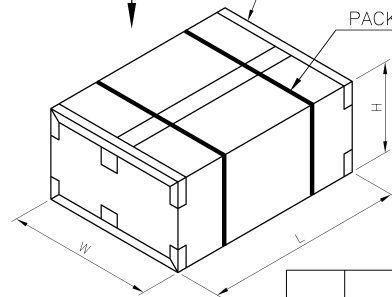
TRAY (10 LAYERS)



20 DESICCATING AGENTS AT LEAST



CARTON  
 500mm(L)X365mm(W)X195mm(H)



					1734795-4
					1734795-3
					1734795-2
					1734795-1
PCS/ TRAY	TRAYS/ CARTON	QUANTITY (PCS)	G/W (Kg)	N/W (Kg)	PART NUMBER
80	800	1600	8.5	6.5	

THIS DRAWING IS A CONTROLLED DOCUMENT.

DIMENSIONS: mm	TOLERANCES UNLESS OTHERWISE SPECIFIED: 0 PLC ± 0.3 1 PLC ± 0.3 2 PLC ± 0.2 3 PLC ± 0.15 4 PLC ± 0.15 ANGLES ± 0°	DWN	CHK	APVD	PRODUCT SPEC	APPLICATION SPEC	WEIGHT	SIZE	CAGE CODE	DRAWING NO	RESTRICTED TO
MATERIAL	FINISH							A3	00779	1734795	
CUSTOMER DRAWING								SCALE	SHEET	3 of 5	REV C

**STE** TE Connectivity  
 MODULAR JACK CONNECTOR  
 RJ45, 8P8C, SHIELDED  
 TAB UP, DIP TYPE, H=11.3mm

4

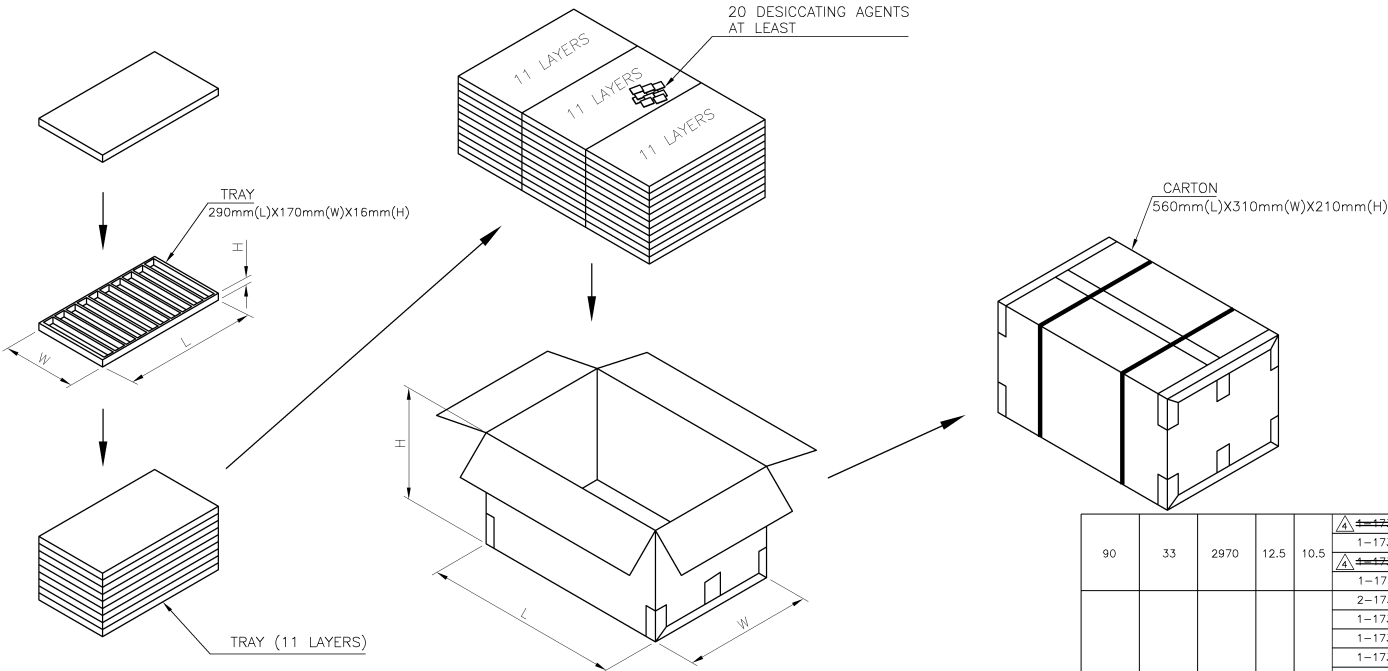
3

2

1

THIS DRAWING IS UNPUBLISHED. RELEASED FOR PUBLICATION  
 © COPYRIGHT 2010 BY TYCO ELECTRONICS CORPORATION. ALL RIGHTS RESERVED.

LOC	DIST	REVISIONS					
DW		P	LTR	DESCRIPTION	DATE	DWN	APVD
		SEE SHEET 1.					



90	33	2970	12.5	10.5	1-1734795-3 1-1734795-2 1-1734795-1 1-1734795-8 1-1734795-7 1-1734795-6 1-1734795-5 1734795-8 1734795-7 1734795-6 1734795-5
80	33	2640	11	9	1-1734795-5 1734795-8 1734795-7 1734795-6 1734795-5
PCS / TRAY	TRAYS / CARTON	QUANTITY (PCS)	G/W (kg)	N/W (kg)	PART NUMBER

THIS DRAWING IS A CONTROLLED DOCUMENT.

DIMENSIONS: mm	TOLERANCES UNLESS OTHERWISE SPECIFIED: 0 PLC ± .1 1 PLC ± 0.3 2 PLC ± 0.2 3 PLC ± 0.15 4 PLC ANGLES ± .5°	DWN	CHK	APVD	PRODUCT SPEC	APPLICATION SPEC	WEIGHT	SIZE	CAGE CODE	DRAWING NO	RESTRICTED TO
MATERIAL	FINISH							A3	00779	C-1734795	
CUSTOMER DRAWING								SCALE	SHEET	4 of 5	REV C

**STE** TE Connectivity  
 MODULAR JACK CONNECTOR  
 RJ45, 8P8C, SHIELDED  
 TAB UP, DIP TYPE, H=11.3mm

4

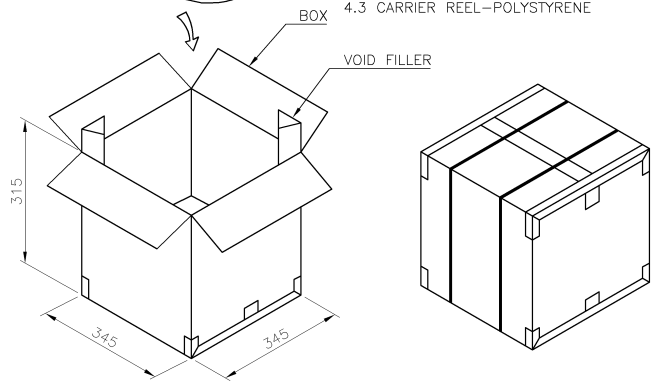
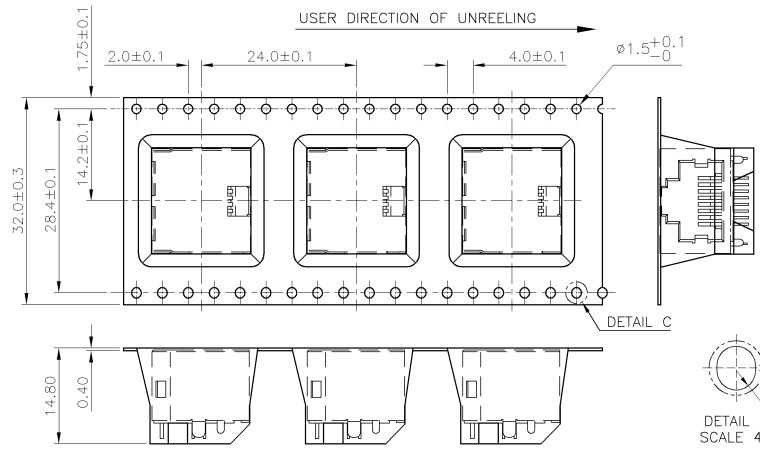
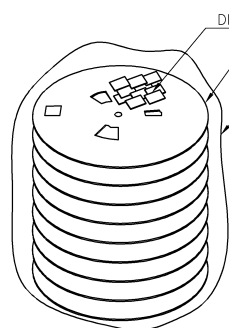
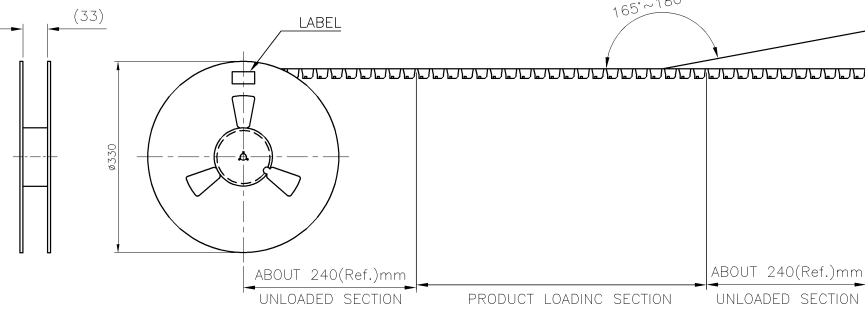
3

2

1

THIS DRAWING IS UNPUBLISHED. RELEASED FOR PUBLICATION  
 © COPYRIGHT 2010 BY TYCO ELECTRONICS CORPORATION. ALL RIGHTS RESERVED.

LOC	DIST	REVISIONS			
P	LTR	DESCRIPTION	DATE	DWN	APVD
DW		SEE SHEET 1.			



8.7 KG	5.05 KG	180	8	1440	3-1734795-2
GROSS WEIGHT	NET WEIGHT	PCS/ REEL	REEL/ BOX	PCS/ BOX	PART NUMBER
					3-1734795-1

THIS DRAWING IS A CONTROLLED DOCUMENT.

DIMENSIONS:	TOLERANCES UNLESS OTHERWISE SPECIFIED:	DWN	TE Connectivity		
mm	0 PLC ±	CHK	NAME		
	1 PLC ±0.3	APVD	PRODUCT SPEC		
	2 PLC ±0.2		APPLICATION SPEC		
	3 PLC ±0.15		WEIGHT		
	4 PLC ±		SIZE	CAGE CODE	DRAWING NO
	ANGLES ±°		A3	00779	C-1734795
MATERIAL	FINISH		CUSTOMER DRAWING		RESTRICTED TO
			SCALE	SHEET	REV
				5 of 5	C