

4

3

2

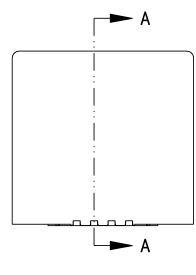
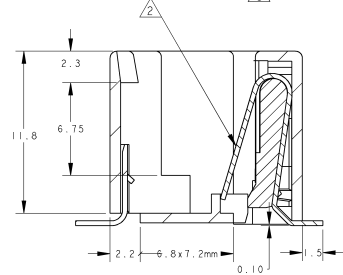
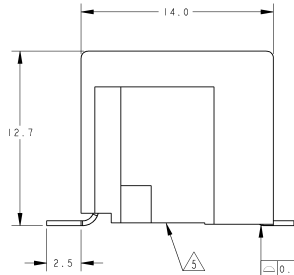
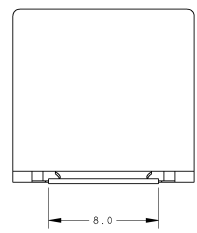
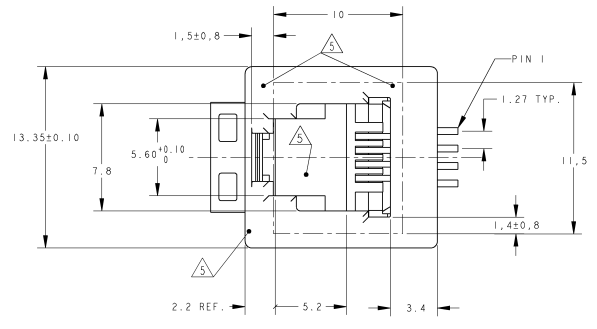
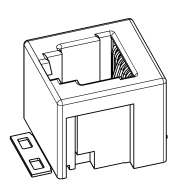
1

THIS DRAWING IS UNPUBLISHED. RELEASED FOR PUBLICATION. COPYRIGHT BY TYCO ELECTRONICS CORPORATION. ALL RIGHTS RESERVED.

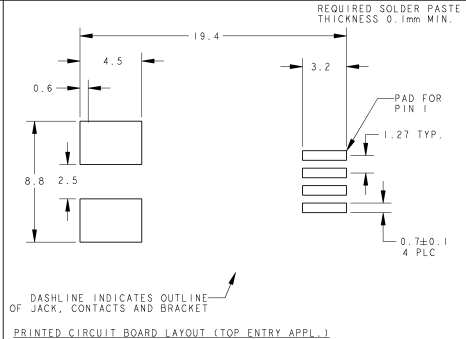
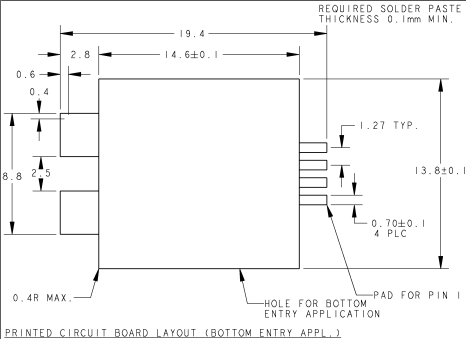
LOC	DIST	REVISIONS		
P	LEH	DESCRIPTION	DATE	OWN
U		ECR-05-011803	28SEP2005	PW JB
V		ECR-05-013336	18OCT2005	PW JB
W		ECR-07-017392	26JUL2007	PCB TdB
W1		REVISED PER ECO-10-000445	09JAN10	KK AEG

NOTES:

- 1 TOLERANCES UNLESS OTHERWISE SPECIFIED: ±0.15.
- 2 CONTACT PLATING: 1.27µm MIN. GOLD SELECTIVE IN CONTACT AREA, OVER 1.27µm MIN. NICKEL, 3.5-5.0µm MIN. MATTE TIN ON SOLDER TINES.
- 3 MATERIALS: HOUSING: 30X G.F. PA BT COLOR BLACK, UL 94V-0. CONTACTS: PHOSPHOR BRONZE. SOLDER BRACKET: TIN PLATED BRASS WITH NICKEL UNDERPLATE.
- 4 THIS JACK CAN ALSO BE APPLIED HANGING THROUGH A HOLE, IN A PRINTED CIRCUIT BOARD. SEE LEFT PCB LAYOUT.
- 5 SURFACE CAN BE USED FOR PICKING THE MODULAR JACK WITH TYPE II SMD MACHINE.
- 6 MEASURED AT HEEL OF CONTACTS. COPLANARITY AT TIPS OF CONTACTS MAX. 0.18mm.
- 7 TAPE AND REEL PACKAGING ACCORDING TO EIA 481-3 SPECIFICATIONS.
- 8 INCLUDES KAPTON TAPE (10x11.5mm) ON TOP SURFACE AS PICK AND PLACE FEATURE.
- 9 OBSOLETE PARTS. OBSOLETE CIS STREAMLINING PER D.RENAUDO/SINISI



SECTION A - A



OBSOLETE	4 POS. /4 CONT.	750 PCS ON Ø560 mm OD REEL. BOTTOM ENTRY ORIENTATION PER DETAIL B2	9 -2-338084-5
	4 POS. /4 CONT.	750 PCS ON Ø560 mm OD REEL. TOP ENTRY ORIENTATION PER DETAIL B1	2-338084-3
	4 POS. /4 CONT.	300 PCS ON Ø360 mm OD REEL. TOP ENTRY ORIENTATION PER DETAIL B1	8 1-338084-6
	4 POS. /4 CONT.	300 PCS ON Ø360 mm OD REEL. BOTTOM ENTRY ORIENTATION PER DETAIL B2	9 1-338084-5
OBSOLETE	4 POS. /4 CONT.	300 PCS ON Ø360 mm OD REEL. TOP ENTRY ORIENTATION PER DETAIL B1	1-338084-3
REMARKS		PACKAGING	PART NUMBER
<small>THIS DRAWING IS CONTROLLED DOCUMENT FOR IDENTIFICATION PURPOSES. IT IS THE PROPERTY OF TYCO ELECTRONICS CORPORATION. IT IS TO BE KEPT IN CONFIDENTIALITY AND NOT TO BE REPRODUCED OR DISCLOSED TO ANY OTHER PARTY WITHOUT THE WRITTEN PERMISSION OF TYCO ELECTRONICS CORPORATION.</small>		DWN E. W. ELJK 30-Sep-'96 CRP E. SILLINGA DEC-'96	Tyco Electronics Nederland B.V. 's-Hertogenbosch, The Netherlands
DIMENSIONS: mm OVERMATE (DIMENSIONS)		NAME: R. SMETS PRODUCT SPEC: 108-19117 APPLICATION SPEC: 114-19041 MATERIAL: SEE NOTE 3 WEIGHT: 1.92 gr FINISH: SEE NOTE 2	TITLE: INVERTIBLE MODULAR JACK, 4 POSITION HANDSET FOR SURFACE MOUNT APPLICATION SHEET: A2 CASE CODE: 00779 DRAWING NO: C-338084 SCALE: 5:1 SHEET: 1 OF 2 REV: W1

C-338084

4

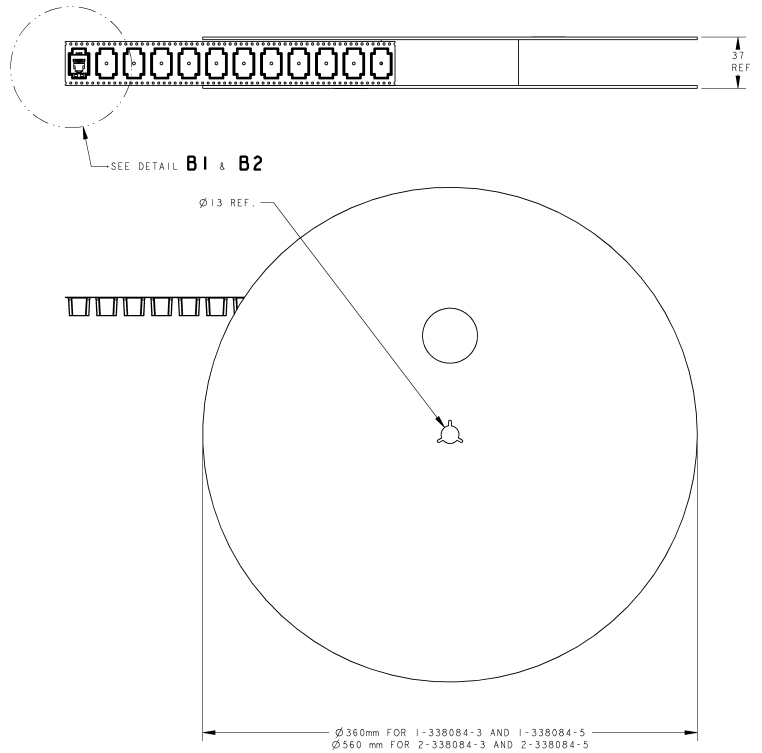
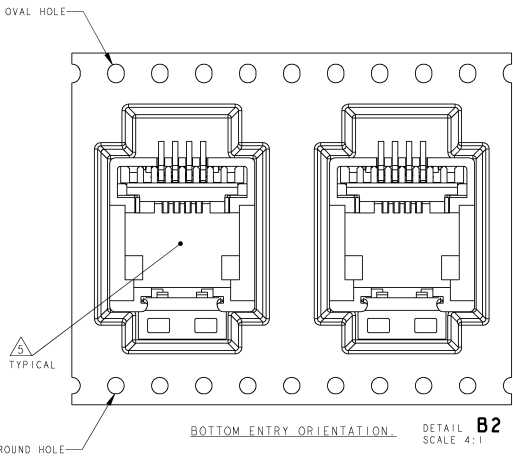
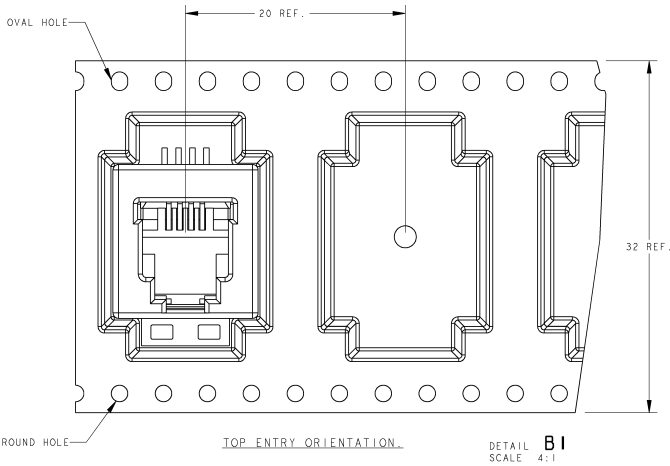
3

2

1

THIS DRAWING IS UNPUBLISHED. RELEASED FOR PUBLICATION
 BY TYCO ELECTRONICS CORPORATION. ALL RIGHTS RESERVED.

LOC	DIST	REVISIONS			
P	LTN	DESCRIPTION	DATE	DWN	APPD
-	-	SEE SHEET 1	-	-	-



DIMENSIONS: mm 0 P/LC ±0 1 P/LC ±0.1 2 P/LC ±0.15 3 P/LC ±0.2 4 P/LC ±0.25 ANGLES ±0.5 FINISH -		TOLERANCES UNLESS OTHERWISE SPECIFIED DIMENSIONS IN PARENTHESES ARE FOR INFORMATION ONLY DIMENSIONS IN PARENTHESES ARE FOR INFORMATION ONLY	DWN E. W. ELIJN CDR E. SIJLINGA NAME APPROV R. SMETS PRODUCT SPEC APPLICATION SPEC WEIGHT CUSTOMER DRAWING	Tyco Electronics Tyco Electronics Nederland B.V. 's-Hertogenbosch, The Netherlands INVERTIBLE MODULAR JACK, 4 POSITION HANDSET FOR SURFACE MOUNT APPLICATION SCALE 5:1 SHEET 2 OF 2 REV W1	RESTRICTED TO A2 00779 C-338084
---	--	---	--	--	------------------------------------

AMP 1471-9 REV 31MAR2000

C-338084

A