

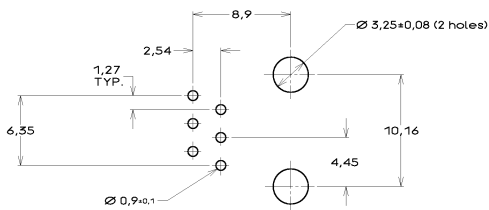
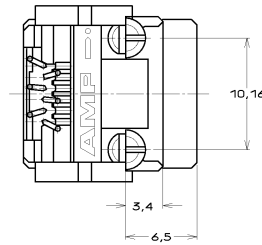
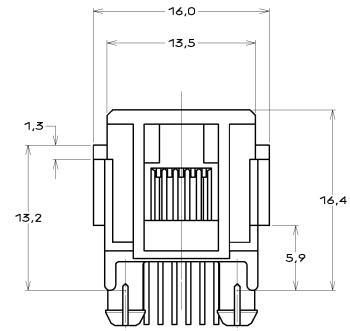
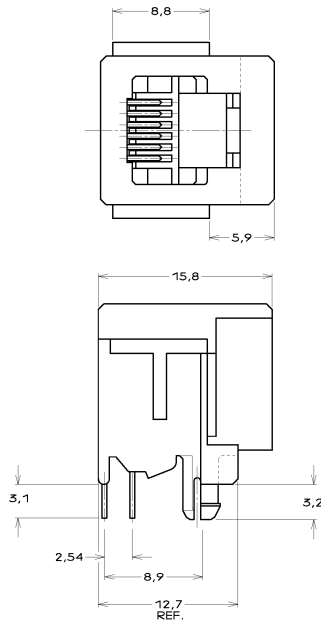
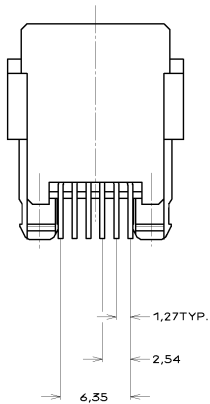
DO NOT SCALE  
DIMENSIONS IN mm

METRIC



NOTES:

- 1 SEE SHEET 2 FOR 216564-2, 6 POS./4 CONTACTS.
- 2 TOLERANCES UNLESS OTHERWISE SPECIFIED: +0,15
- 3 FOR APPLICATION INFORMATION SEE AMP SPEC. 114-19019.
- 4 FOR PERFORMANCE REQUIREMENTS SEE AMP SPEC. 108-19064



PRINTED CIRCUIT BOARD LAYOUT

[VIEW SHOWN IS CIRCUIT (NONCOMPONENT) SIDE OF BOARD.]

TOLERANCES UNLESS OTHERWISE SPECIFIED: ± 0,05.  
PRINTED CIRCUIT BOARD THICKNESS: 1,6 mm NOMINAL.

REMARKS	REMARKS	FINISH	MATERIAL	PARTNUMBER
700pcs. ON A 60cm. DIA. REEL	6 POSITIONS/ 6 CONTACTS.	IN CONTACT AREA: 1,2mm MIN. SEL. GOLD OVER 1,2mm MIN. NICKEL  SOLDER TINES: 2,0mm MIN. TIN-LEAD OVER 1,2mm MIN. NICKEL	HOUSING: PTB.LL 94-HB COLOR: BLACK  CONTACTS: PHOSPHOR BRONZE	216564-1
-	-	-	-	-
<b>CUSTOMER DRAWING</b> FOR REFERENCE ONLY WILL NOT BE UPDATED				
© COPYRIGHT 99 BY AMP HOLLAND B.V. ALL INTERNATIONAL RIGHTS RESERVED AMP PRODUCTS MAY BE COVERED BY U.S. AND FOREIGN AND/OR PATENTS PENDING. THIS DRAWING IS UNPUBLISHED RELEASED FOR IDENTIFICATION				
H2	ECR-08-013498	AEG	18-02-09	
H1	OU60-0073-00	EV	KV	10 AUG 00
H	EH-1376-99	MVE	MVE	22 JUL 99
G	EH-0939-99	XG	TD	APR 99
F	EH-0244-96	MVE	G.C	15 FEB 96
LTR	REVISION RECORD	DR	CHK	DATE
DR: L.v.G.H./J20N		CHK: C.STEREN	APP: L.v.S20T	DWS No
DATE: 29 AUG 89		DATE: -	DATE: -	C-216564
			REV LTR	SHEET
			H2	1 of 2
				A2

11	10	9	8	7	6	5	4	3	2	1
----	----	---	---	---	---	---	---	---	---	---

26-129  
REV 04-97

