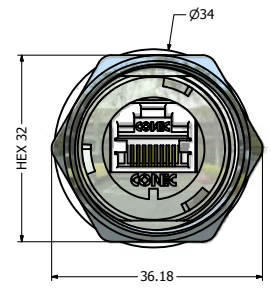
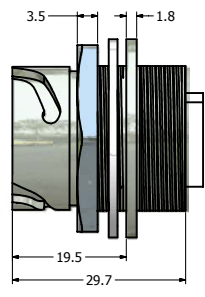
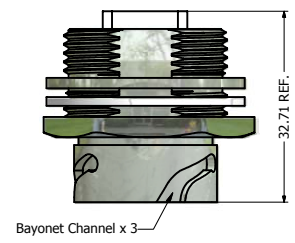
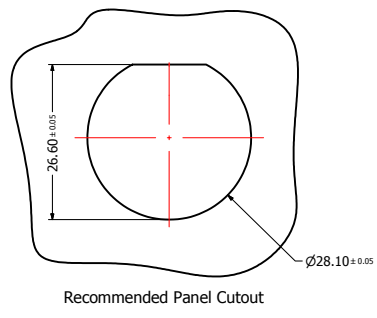
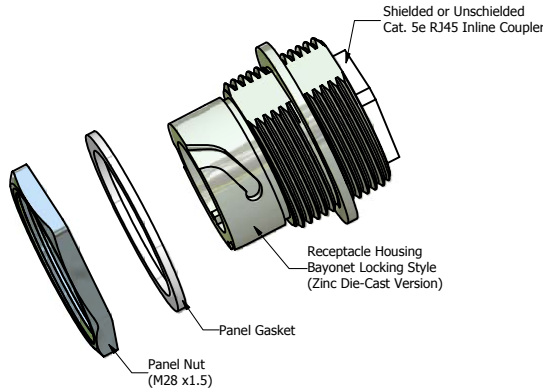


6 5 4 3 2 1



Directive 2002/95/EC
"RoHS"
Compliant

- Notes:**
- Electrical Specifications:
 - Meets EIA/TIA-568-B.2 Cat.5e Specification
 - Contact Resistance: 20mOhm max.
 - Insulation Resistance: 500MOhm min. @ 100 VDC
 - Current Rating: 1.2A max. at 25° C
 - Working Voltage: 100 VDC
 - DWV: 1000 VDC/60s Contact to Contact, 1500 VDC/60s Contact to Metal Shell
 - Operating Temperature: -40° C to +85° C
 - Material and Finish:
 - Receptacle Housing: Zinc Die-Cast, Finish: Nickel Plated
 - Panel Nut: Brass, Finish: Nickel Plated
 - Panel Gasket: Silicone, Color: White
 - RJ45 Jack Metal Shell: Copper Alloy, Nickel Plated
 - RJ45 Jack Plastic Housing: Glass filled PBT UL94 V-0, Color: Black
 - RJ45 Jack Contacts: Phosphor Bronze, Finish: 50u" Gold min. over Nickel
 - Connector can be front or rear mounted to a maximum panel thickness of 3.2mm.
 - RoHS compliant
 - IP67 rated when covered or fully mated with the appropriate mating connector

Description	Part Number
Zinc Die-Cast Version with Shielded RJ45 Inline Coupler	17-101754
Zinc Die-Cast Version with Unshielded RJ45 Inline Coupler	17-101764

THIS DRAWING AND THESE DIMENSIONS ARE UNLESS OTHERWISE SPECIFIED IN ANY WAY, AND MAY NOT BE PASSED ON TO A THIRD PARTY WITHOUT THE WRITTEN PERMISSION OF CONEC CORPORATION. DO NOT ALTER CAD DRAWING BY HAND	Customer:		Tolerance Unless otherwise specified		Autodesk Inventor	Scale: 1.5:1	Dim. in mm	
	Name	Title	Approval Date	0 PLC ±0.10 1 PLC ±0.38 2 PLC ±0.51 3 PLC ±0.10 ANGLES ±3°		2009	Date	Name
					Draw.	Dec. 07	Vincent Ke	
					Appd.	Dec. 07	J. Chaudry	
					Norm			
				D-old				
	a	original				Drawing No.: 17K1A144	DIN A3	
Rev.	Changes	Date	Name			Part No.: SEE P/N TABLE	Sheet 1/1	

6 5 4 3 2 1