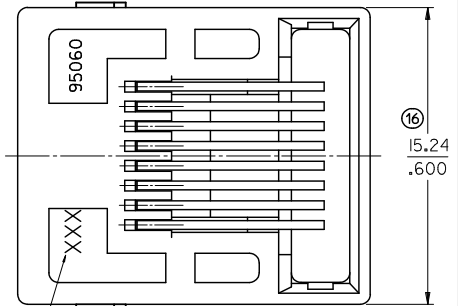


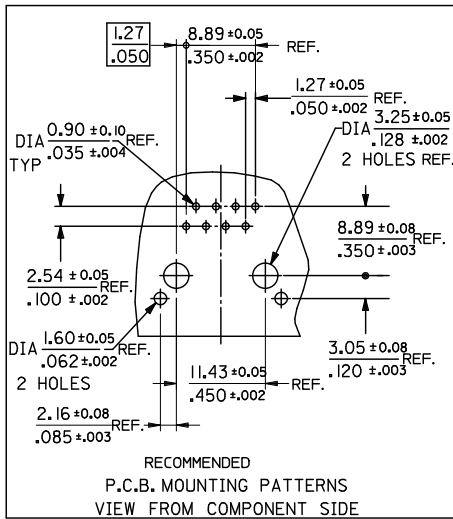
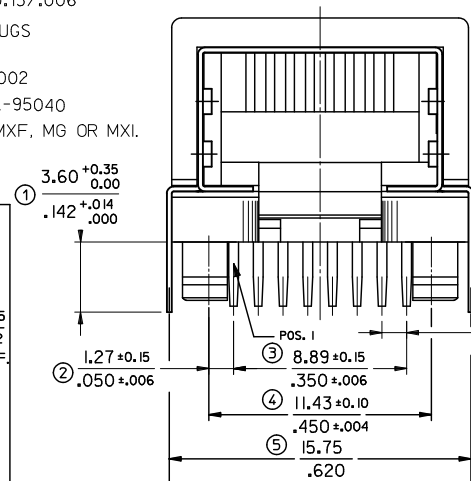
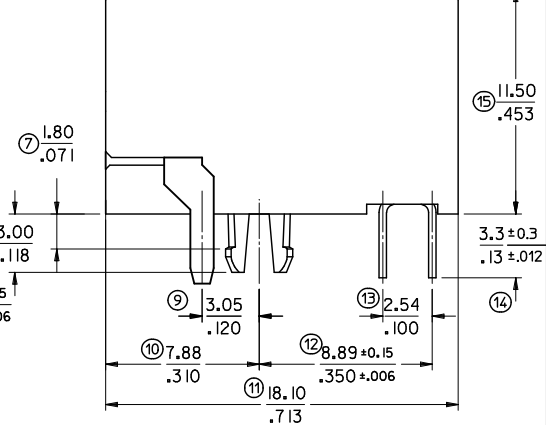
PART NUMBER	VERSION	PLATING
95540-288I	STANDARD	2
95540-488I	HIGH MATING CYCLES	7

NOTES:

- 1- MATERIAL :
HOUSING : -LCP GLASS FILLED UL 94V0, COLOR: BLACK
TERMINAL : BRASS PLATED WITH :
PLATING 2: 0.00127/.000050 MIN GOLD IN CONTACT AREA,
0.00190/.000075 MIN TIN IN TAIL AREA,
BOTH OVER 0.00127/.000050 MIN NICKEL OVERALL
PLATING 7: POST PLATE 0.00005/.000002 MIN GOLD OVER 0.00076/.000030 MIN
PALLADIUM NICKEL IN CONTACT AREA 0.00190/.000075 MIN
TIN IN TAIL AREA BOTH OVER 0.00127/.000050 MIN NICKEL OVERALL.
SHIELD : BRASS PLATED WITH 0.0020/.000078 MIN. TIN
- 2- P.C. BOARD THICKNESS : 1.57/.062 ± 0.15/.006
- 3- JACK FOR MATING WITH F.C.C. 68 PLUGS
95043 MOLEX SERIES.
- 4- PRODUCT SPECIFICATION: PS-95540-002
- 5- PACKAGING SPECIFICATION: MOLEX PK-95040
- 6- MANUFACTURING I.D. CAN BE EITHER MXF, MG OR MXI.



NOTE 6



QUALITY SYMBOLS		GENERAL TOLERANCES (UNLESS SPECIFIED)		DIMENSION STYLE		SCALE	DESIGN UNITS	THIRD ANGLE PROJECTION	
		mm	INCH	MM/IN		5:1	METRIC		
4 PLACES	± .004	± .004		DRAWN BY	DATE	TITLE			
3 PLACES	± .004	± .004		KNOLLER	04/06/18	RIGHT ANGLE LOW PROFILE SHIELDED PC JACK (THROUGH HOLE VERSION)			
2 PLACES	± 0.1	± .006		CHECKED BY	DATE	MOLEX INCORPORATED			
1 PLACE	± 0.15	± .006		FCARABET	04/08/28				
ANGULAR ± 1/2°				APPROVED BY	DATE				
				KNOLLER	04/06/29				
DRAFT WHERE APPLICABLE MUST REMAIN WITHIN DIMENSIONS				MATERIAL NO.	DOCUMENT NO.	SHEET NO.			
				SEE CHART	SD-95540-001	1 OF 3			
THIS DRAWING CONTAINS INFORMATION THAT IS PROPRIETARY TO MOLEX INCORPORATED AND SHOULD NOT BE USED WITHOUT WRITTEN PERMISSION									