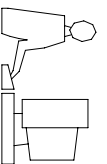
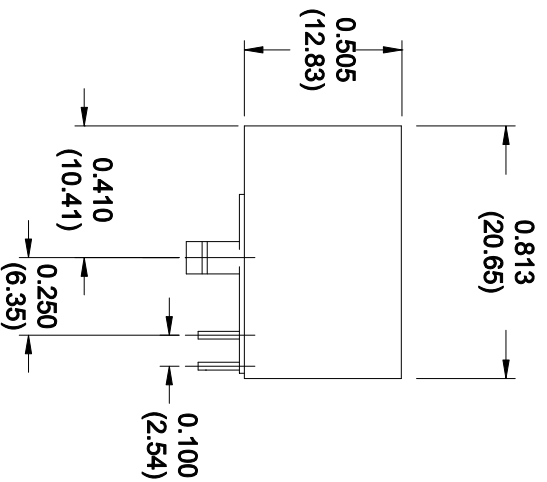
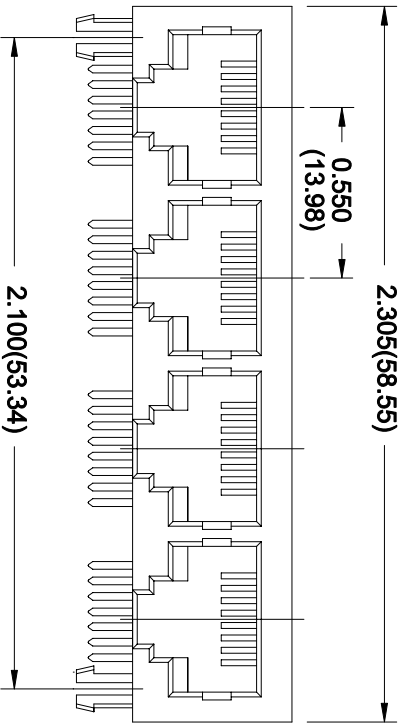


THIS IS A CAD GENERATED DRAWING  
DO NOT MAKE MANUAL REVISIONS TO MASTER



ISSUE NUMBER
ORIGINAL
1
HOUSING MATERIAL WAS PBT POLYESTER
F. BRIONES JULY 8/05
3
DIM.:250 WAS .311
F. BRIONES MAY12/08
4



**NOTES**

**MATERIAL AND FINISH:**

**BODY:** HOUSING: NYLON 66, COLOR BLACK

**CONTACTS:** PHOSPHOR BRONZE(0.45mm DIA.)  
GOLD PLATED ON CONTACT AREA, TIN ON TAILS

**CAVITY CONFORMS TO FCC RULES AND REGULATIONS PART 68, SUBPART F**

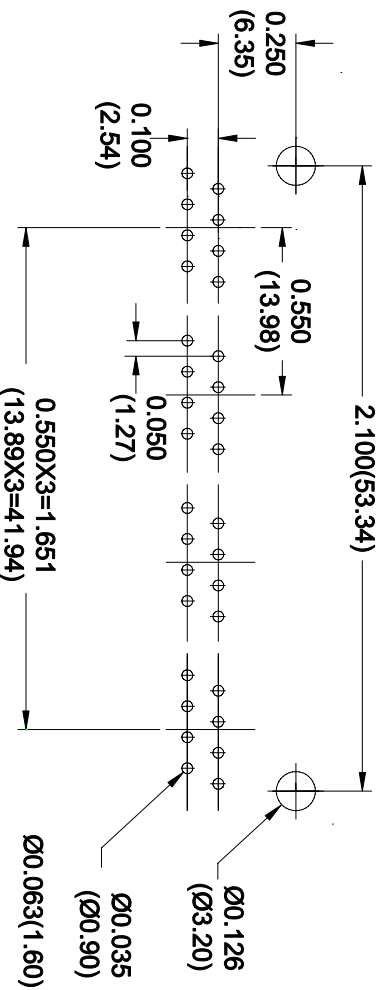
AOO-432-260-450 GOLD FLASH

AOO-432-360-450 15 MICRONS OF GOLD

AOO-432-660-450 30 MICRONS OF GOLD

AOO-432-960-450 50 MICRONS OF GOLD

**PC BOARD LAYOUT  
COMPONENT SIDE SHOWN**



**4 PORTS, 8 POSITIONS R/ANGLE PCB JACK**

**EDAC INC**  
TORONTO, ONTARIO  
CANADA

THESE DRAWINGS AND SPECIFICATIONS  
ARE THE PROPERTY OF EDAC INC. AND  
SHALL NOT BE REPRODUCED, OR COPIED  
OR USED AS THE BASIS FOR THE  
MANUFACTURE OR SALE OF APPARATUS  
WITHOUT WRITTEN PERMISSION.

ACAD REF. DRAWING:	AOO-432-260-450
DRAWN: F. BRIONES	DATE: MAR. 12/03
PART NUMBER	AOO-432-260-450
DRAWING NUMBER	AOO-432-260-450
ISSUE	4