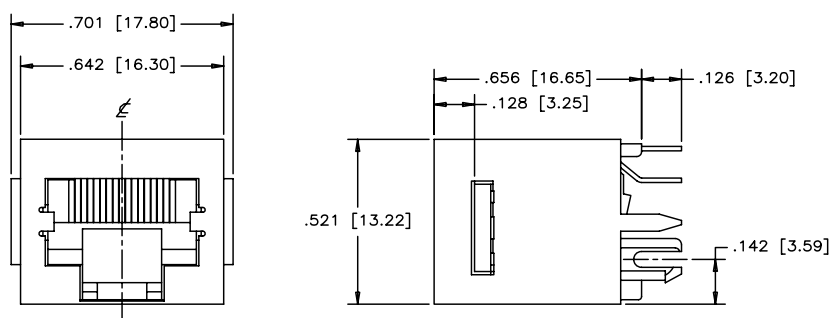
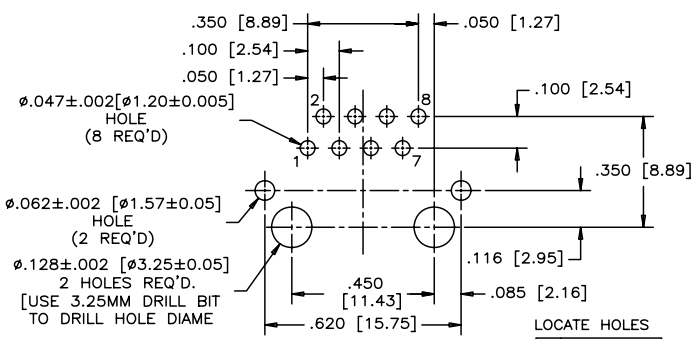
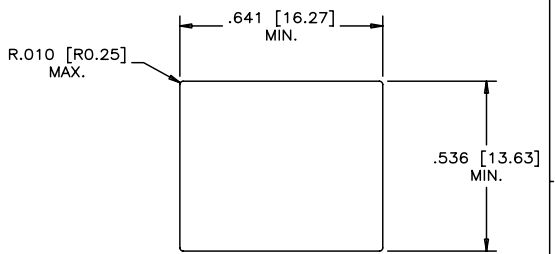


A B C D E F



REVISIONS				
SYM	ZONE	ECN, ERN NO.	DATE	APPRD.
B		PROPOSAL	MAY15/06	LCHW
C		PROPOSAL	JUN19/06	LCHW

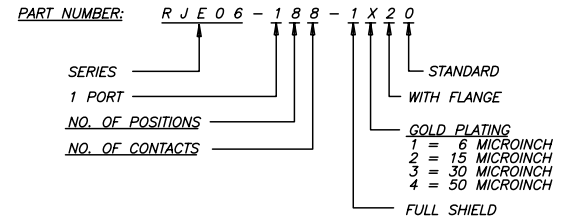


RECOMMENDED P.C.B. LAYOUT
(COMPONENT SIDE OF BOARD)

LOCATE HOLES
 $\phi \pm 0.005 [0.13]$
 HOLE POSITIONS
 ARE BASIC

MATERIALS:

- HOUSING: ENGINEERING THERMOPLASTIC
 FLAMMABILITY RATING UL94V-0
 COLOR: BLACK
- CONTACTS: PHOSPHOR BRONZE
- PLATING: REFER TO PART NUMBER FOR GOLD THICKNESS
 ON MATING SURFACE
 50 MICROINCH [1.27 MICRONS] MIN. NICKEL OVERALL
 100 MICROINCH [2.54 MICRONS] MIN. MATTE-TIN
 OR GOLD FLASH OVER TAIL
- SHIELD: COPPER ALLOY WITH NICKEL PLATED



THIS DOCUMENT CONTAINS PROPRIETARY INFORMATION AND SUCH INFORMATION
 MAY NOT BE DISCLOSED TO OTHERS FOR ANY PURPOSE OR USED FOR MANUFACTURING
 PURPOSES WITHOUT WRITTEN PERMISSION FROM AMPHENOL CANADA CORP.

DRAWN PAULW	DATE MAY15/06	Amphenol Canada Corp.
DESIGNED		
CHECKED CHIGOW	DATE MAY15/06	
I. E. APPRD.		
Q. A. APPRD.		TITLE RJE06 SERIES, 8 POSITION 8 CONTACT, VERTICAL MOUNT, WITH SHIELD, AND FLANGE - RoHS COMPLIANT
DWG. APPRD.		
ENG. REL. NO.		DWG. DRAWING NO. P-RJE06-188-1X20
REF. EAR # A060504		REV. C
DIMENSIONS ARE IN INCHES [mm]	CODE ID. NO. 03554	SCALE WT. _____ SURF. _____ SHEET 1 OF 1

A B C D E F