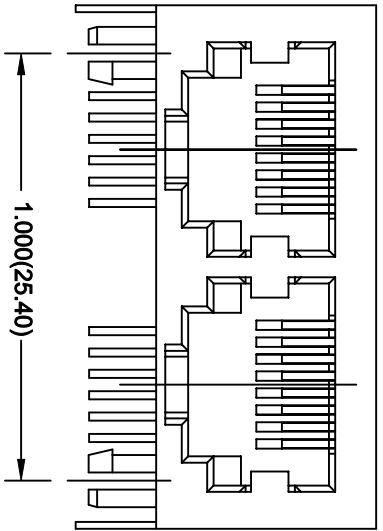
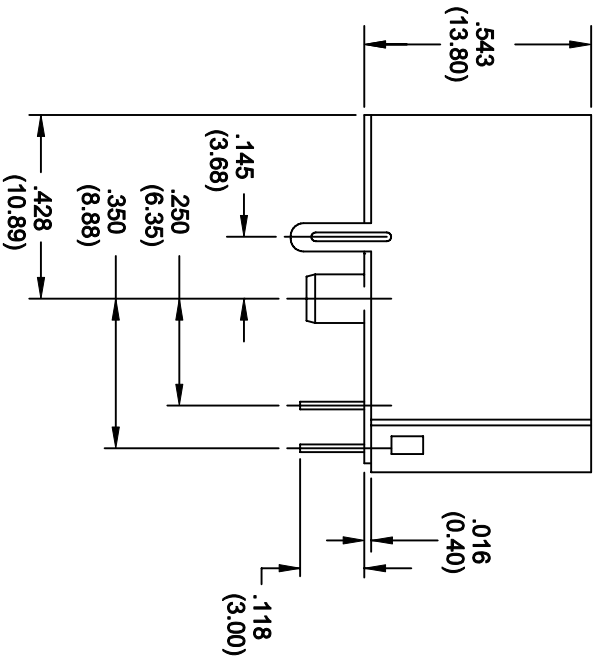


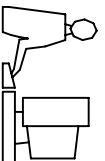
1.225(31.12)



.837
(21.27)



THIS IS A C.A.D. GENERATED DRAWING
DO NOT MAKE MANUAL REVISIONS TO MASTER.



ISSUE NUMBER	ORIGINAL
①	.067 DIA HOLE WAS .032
③	F.BRIONES JUL. 27/06
④	CONTACT IDENTIFICATION ADDED F.BRIONES FEB. 19/07

NOTES

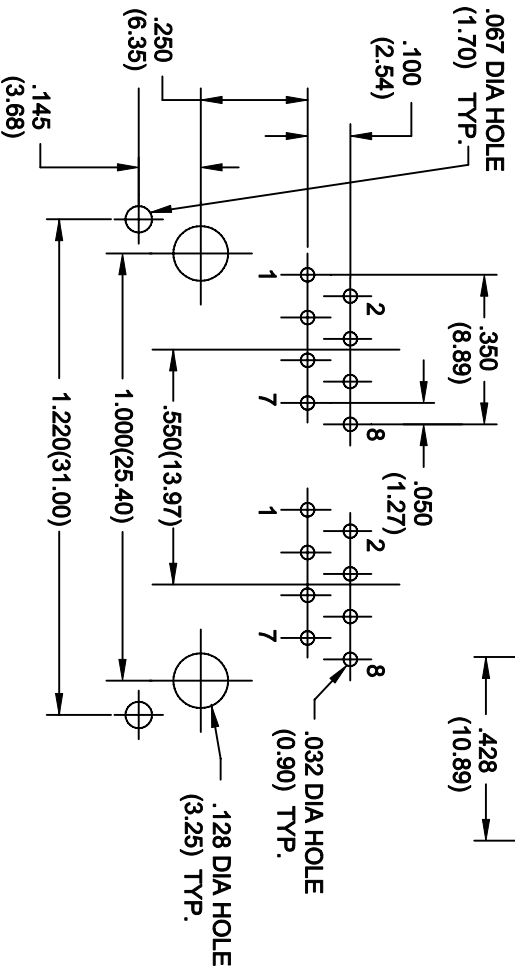
MATERIAL AND FINISH:

BODY: HOUSING: PBT POLYESTER
UL94V-0 RATED, MIXED GLASS FIBER.
STANDARD COLOR: BLACK

CONTACTS: PHOSPHOR BRONZE(0.45mm DIA.)
PLATED AS PER PART NO. TABLE

SHIELD: 0.23mm THICK COPPER ALLOY
PLATED NICKEL

CAVITY CONFORMS TO FCC RULES AND
REGULATIONS PART 68, SUBPART F



PC BOARD LAYOUT

AOO-216-262-450 GOLD FLASH
AOO-216-362-450 15 MICRONS OF GOLD
AOO-216-662-450 30 MICRONS OF GOLD
AOO-216-962-450 50 MICRONS OF GOLD

DUAL 8P FULL SHIELDED JACK (GROUND AT FRONT)

EDAC INC TORONTO, ONTARIO CANADA YOUR CONNECTION TO QUALITY & SERVICE	THESE DRAWINGS AND SPECIFICATIONS ARE THE PROPERTY OF EDAC INC. AND SHALL NOT BE REPRODUCED, OR COPIED OR USED AS THE BASIS FOR THE MANUFACTURE OR SALE OF APPARATUS WITHOUT WRITTEN PERMISSION.	ACAD REF. DRAWING: A00-216-262-450	DATE: SEP.17/01
EDAC INC	EDAC INC	CHECKED:	DATE:
EDAC INC	EDAC INC	SCALE: 1:1	SHEET 1 OF 1
EDAC INC	EDAC INC	DRAWING NUMBER	ISSUE
EDAC INC	EDAC INC	A00-216-262-450	4



THIS SERIES FULLY CONFORMS TO THE
EUROPEAN UNION DIRECTIVES 2002/95/EC
AND 2002/96/EC FOR ROHS COMPLIANCY.