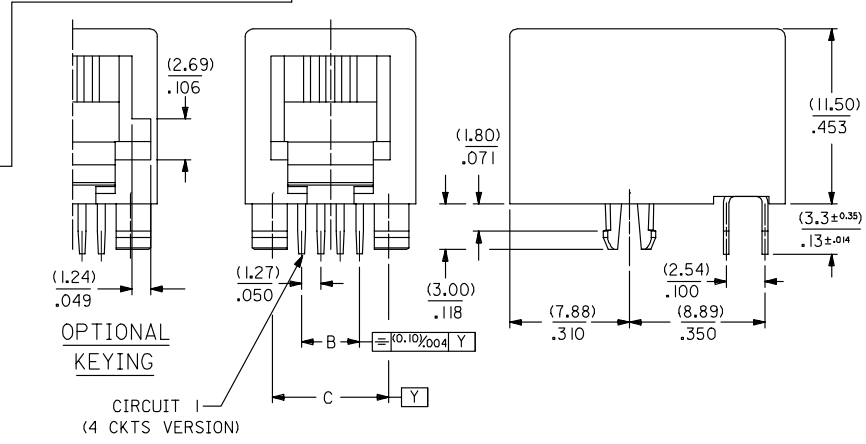


NOTES :

- 1- MATERIAL:
 - HOUSING: LCP GLASS FILLED UL 94V-0. COLOUR BLACK.
 - TERMINAL: PHOSPHOR BRONZE .
 - PLATING 2:
 - POST PLATE (0.00127)/.000050 MIN GOLD IN CONTACT AREA (0.00190)/.000075 MIN PURE TIN IN TAIL AREA BOTH OVER (0.00127)/.000050 MIN NICKEL OVERALL.
- 2- JACK FOR MATING WITH F.C.C. 68 PLUGS 90075 MOLEX SERIES.
- 3- PRODUCT SPECIFICATION PS-95501.
- 4- PACKAGING SPECIFICATION PK-95001: STANDARD PACKAGING SHEET 1. SPECIAL PACKAGING SHEET 2. TUBE PACKAGING SHEET 3.
- 5- MANUFACTURING I.D. CAN BE EITHER MXF, MG OR MXI.
- 6- RECOMMENDED PCB THICKNESS: 1.6mm

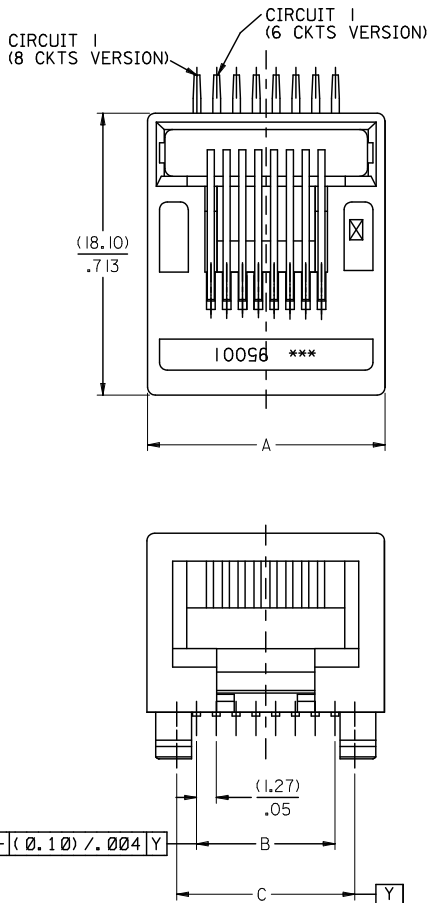


DIM.	TYPE		POS. 4		POS. 6		POS. 8	
	4 CKTS.	8 CKTS.	4 CKTS.	8 CKTS.	6 CKTS.	8 CKTS.	4 CKTS.	8 CKTS.
A	(11.18) / .440	(13.21) / .520	(13.21) / .520	(15.24) / .600	(13.21) / .520	(15.24) / .600	(11.43) / .450	(13.21) / .520
C	(7.62) / .300	(10.16) / .400	(10.16) / .400	(11.43) / .450	(10.16) / .400	(11.43) / .450	(8.89) / .350	(10.16) / .400
B	(3.81) / .150	(3.81) / .150	(3.81) / .150	(6.35) / .250	(3.81) / .150	(6.35) / .250	(8.89) / .350	(3.81) / .150

MODIFIED NOTES: EC NO: E2008-0176 DRAWN BY: DBYRNES 2007/10/05 CHECKED: CHIKO 2007/10/05 APPR: EOMAHONY 2007/10/05	QUALITY SYMBOLS	GENERAL TOLERANCES (UNLESS SPECIFIED)	DIMENSION STYLE MM/IN	SCALE 4:1	DESIGN UNITS METRIC	THIRD ANGLE PROJECTION	
	$\nabla=0$ $\nabla=0$	4 PLACES ± --- ± --- 3 PLACES ± --- ± .006 2 PLACES ± 0.15 ± .010 1 PLACE ± 0.25 ± --- ANGULAR ± ---°	DRAWN BY: DBYRNES 2006/08/02 CHECKED BY: EOMAHONY 2006/08/12 APPROVED BY: EOMAHONY 2006/08/12	TITLE	R/A LOW PROFILE PC JACK 4,6,8 CKTS SIZE THROUGH HOLE VERSION		
	DRAFT WHERE APPLICABLE MUST REMAIN WITHIN DIMENSIONS	SEE CHART SHEETS 4.56&8	MATERIAL NO.	MOLEX INCORPORATED			
		SIZE A3	THIS DRAWING CONTAINS INFORMATION THAT IS PROPRIETARY TO MOLEX INCORPORATED AND SHOULD NOT BE USED WITHOUT WRITTEN PERMISSION		DOCUMENT NO. SD-95501-001	SHEET NO. 1 OF 5	

6 & 8 VERSIONS

8 VERSION SHOWN

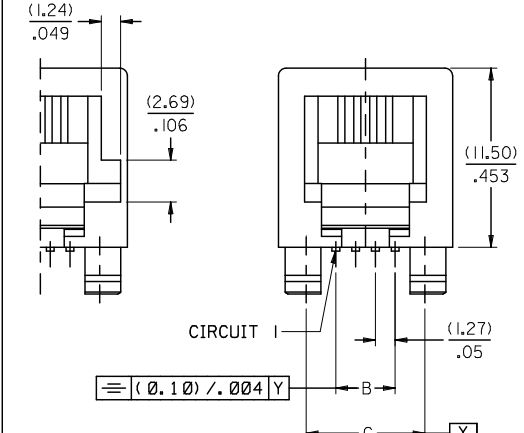


DIM.	TYPE	POS. 4	POS. 6		POS. 8
		4 CKTS.	4 CKTS.	6 CKTS.	8 CKTS.
A		(11.18) / .440	(13.21) / .520	(13.21) / .520	(15.24) / .600
C		(7.62) / .300	(10.16) / .400	(10.16) / .400	(11.43) / .450
B		(3.81) / .150	(3.81) / .150	(6.35) / .250	(8.89) / .350

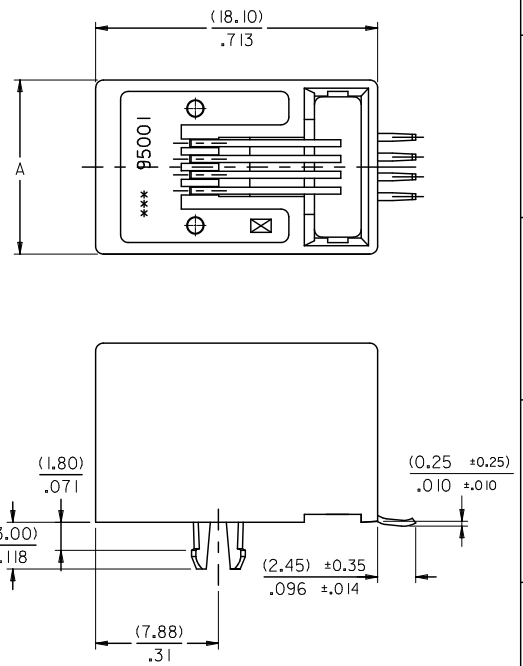
NOTES :

- 1- MATERIAL:
- HOUSING: LCP GLASS FILLED UL 94V-0, COLOUR BLACK.
- 2- SEE OTHER NOTES SHEET 1
- 3- COPLANARITY OF SIGNAL TAILS 0.10MM

OPTIONAL KEYING



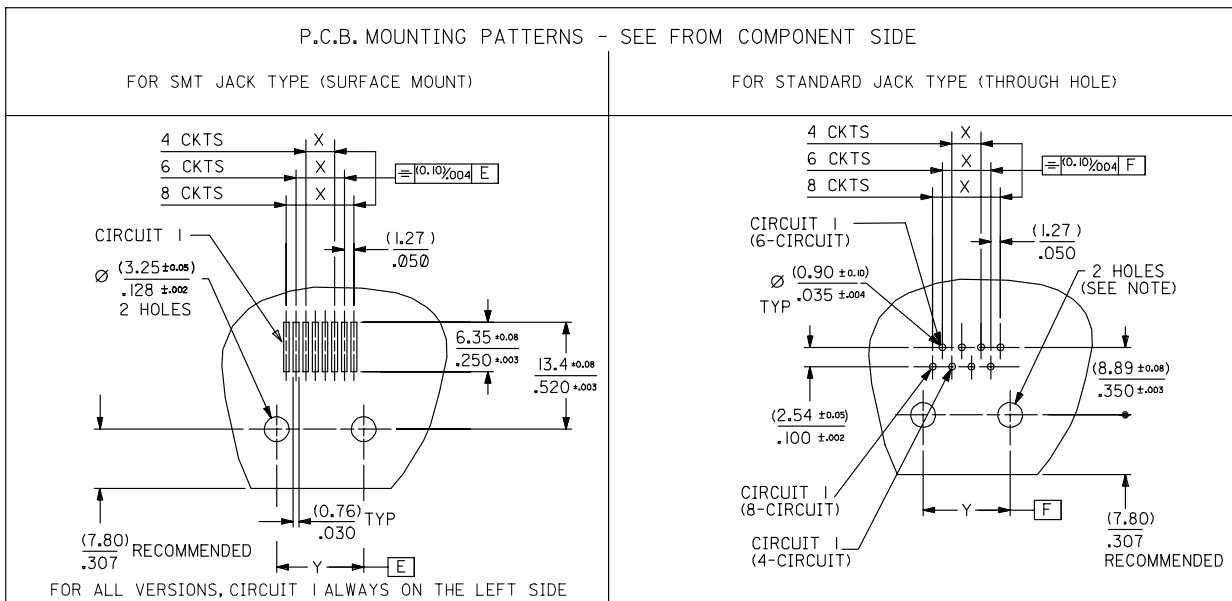
4 VERSION ONLY



ADDED NOTE 3. EC NO: E2010-0156 DRAWN: DBYRNES 2010/01/08 CHYK: 2010/01/08 APPR: J WALLACE 2010/01/08	QUALITY SYMBOLS	GENERAL TOLERANCES (UNLESS SPECIFIED)	DIMENSION STYLE	SCALE	DESIGN UNITS	THIRD ANGLE PROJECTION
	▽=0 ▽=0	mm INCH 4 PLACES ± --- ± --- 3 PLACES ± --- ± .006 2 PLACES ± 0.15 ± .010 1 PLACE ± 0.25 ± --- ANGULAR ± --- °	MM/IN	4:1	METRIC	
	DRAFT WHERE APPLICABLE MUST REMAIN WITHIN DIMENSIONS					
			DRAWN BY: DBYRNES CHECKED BY: EOMAHONY APPROVED BY: EOMAHONY DATE: 2006/08/02 DATE: 2006/08/12 DATE: 2006/08/12	TITLE: R/A LOW PROFILE PC JACK 4,6,8 CKTS SIZE SMT VERSION MOLEX INCORPORATED		
			MATERIAL NO. SEE CHART SHEETS 4.5&6 SIZE A3	DOCUMENT NO. SD-95501-001	SHEET NO. 2 OF 5	

10 9 8 7 6 5 4 3 2 1

TYPE DIM.	POS. 4	POS. 6		POS. 8
	4 CKTS.	4 CKTS.	6 CKTS.	8 CKTS.
Y $(\pm 0.05) / \pm .002$	(7.62) / .300	(10.16) / .400	(10.16) / .400	(11.43) / .450
X $(\pm 0.05) / \pm .002$	(3.81) / .150	(3.81) / .150	(6.35) / .250	(8.89) / .350



NOTE:
 FOR CONVECTION SOLDERING: DIA 3.25±0.05 / .128±.002
 FOR WAVE SOLDERING: DIA 3.20±0.10 / .126±.004

MODIFIED TABLE EC NO: E2008-0176 DRAWN: DBYRNES 2007/10/05 CHECK: CHIKO 2007/10/05 APPR: EOMAHONY 2007/10/05	QUALITY SYMBOLS ▽=0 ▽=0	GENERAL TOLERANCES (UNLESS SPECIFIED) <table border="1" style="width: 100%; border-collapse: collapse;"> <thead> <tr> <th></th> <th>MM</th> <th>INCH</th> </tr> </thead> <tbody> <tr> <td>4 PLACES</td> <td>± .005</td> <td>± .0004</td> </tr> <tr> <td>3 PLACES</td> <td>± .006</td> <td>± .0005</td> </tr> <tr> <td>2 PLACES</td> <td>± 0.15</td> <td>± .010</td> </tr> <tr> <td>1 PLACE</td> <td>± 0.25</td> <td>± .010</td> </tr> <tr> <td colspan="2">ANGULAR</td> <td>± .005</td> </tr> </tbody> </table>		MM	INCH	4 PLACES	± .005	± .0004	3 PLACES	± .006	± .0005	2 PLACES	± 0.15	± .010	1 PLACE	± 0.25	± .010	ANGULAR		± .005	DIMENSION STYLE MM/IN	SCALE 2:1	DESIGN UNITS METRIC	THIRD ANGLE PROJECTION
				MM	INCH																			
4 PLACES	± .005	± .0004																						
3 PLACES	± .006	± .0005																						
2 PLACES	± 0.15	± .010																						
1 PLACE	± 0.25	± .010																						
ANGULAR		± .005																						
DRAFT WHERE APPLICABLE MUST REMAIN WITHIN DIMENSIONS		DRAWN BY DBYRNES 2006/08/02 CHECKED BY EOMAHONY 2006/08/12 APPROVED BY EOMAHONY 2006/08/12	MATERIAL NO. SEE CHART SHEETS 4,5&6	TITLE R/A LOW PROFILE JACK PC JACK 4.6.8 CKT SIZE SMT AND STANDARD VERSION MOLEX INCORPORATED		DOCUMENT NO. SD-95501-001 SHEET NO. 3 OF 5																		

9 8 7 6 5 4 3 2 1

10 9 8 7 6 5 4 3 2 1

SPECIAL PACKAGING TUBE, SEE PACKAGING SPEC PK95001 SHEET 3

PART NO FOR JACK ASSEMBLY
THROUGH HOLE VERSION

PART NO FOR JACK ASSEMBLY
SMT VERSION

HOUSING SIZE	LOADED CONTACTS	PLATING	LCP GLASS FILLED 94V0, COLOR BLACK.								
			NO KEY		KEY		TOOLED				
			NOT RIBBED	TOOLED	NOT RIBBED	TOOLED	TOOLED	TOOLED			
4	4	2	95501-2401	X							
6	4	2	95501-2601	X							
6	6	2	95501-2611	X							
8	8	2	95501-2821	X							

PLATING	LCP GLASS FILLED 94V0 COLOUR BLACK					
	NO KEY		KEY		TOOLED	
	NOT RIBBED	TOOLED	NOT RIBBED	TOOLED	NOT RIBBED	TOOLED
2	95501-6449	X				
2	95501-6649	X				
2	95501-6669	X				
2	95501-6889	X	95501-6890	X		

REMOVED GREY OPTIONS EC NO: E2007-0513 DRAWN BY: DBYRNES 2007/01/08 CHECKED: CHIKO 2007/01/08 APPR: EOMAHONY 2007/01/09 REV B	QUALITY SYMBOLS	GENERAL TOLERANCES (UNLESS SPECIFIED)	DIMENSION STYLE	SCALE	DESIGN UNITS	THIRD ANGLE PROJECTION	
	$\nabla=0$ $\nabla=0$	mm INCH 4 PLACES ± --- ± --- 3 PLACES ± --- ± --- 2 PLACES ± --- ± --- 1 PLACE ± --- ± --- ANGULAR ± ---°	MM ONLY	---	METRIC	DRAWN BY: DBYRNES 2006/08/02 CHECKED BY: EOMAHONY 2006/08/12 APPROVED BY: EOMAHONY 2006/08/12 MATERIAL NO. SEE CHART DOCUMENT NO. SD-95501-001	TITLE: LOW PROFILE R/A JACK STANDARD AND SMT VERSION TUBE PACKAGING MOLEX INCORPORATED SHEET NO. 5 OF 5
	DRAFT WHERE APPLICABLE MUST REMAIN WITHIN DIMENSIONS	SEE CHART	SIZE A3	THIS DRAWING CONTAINS INFORMATION THAT IS PROPRIETARY TO MOLEX INCORPORATED AND SHOULD NOT BE USED WITHOUT WRITTEN PERMISSION			

ib_frame_A3_P_ME_1
Rev. D 2004/04/02

9 8 7 6 5 4 3 2 1